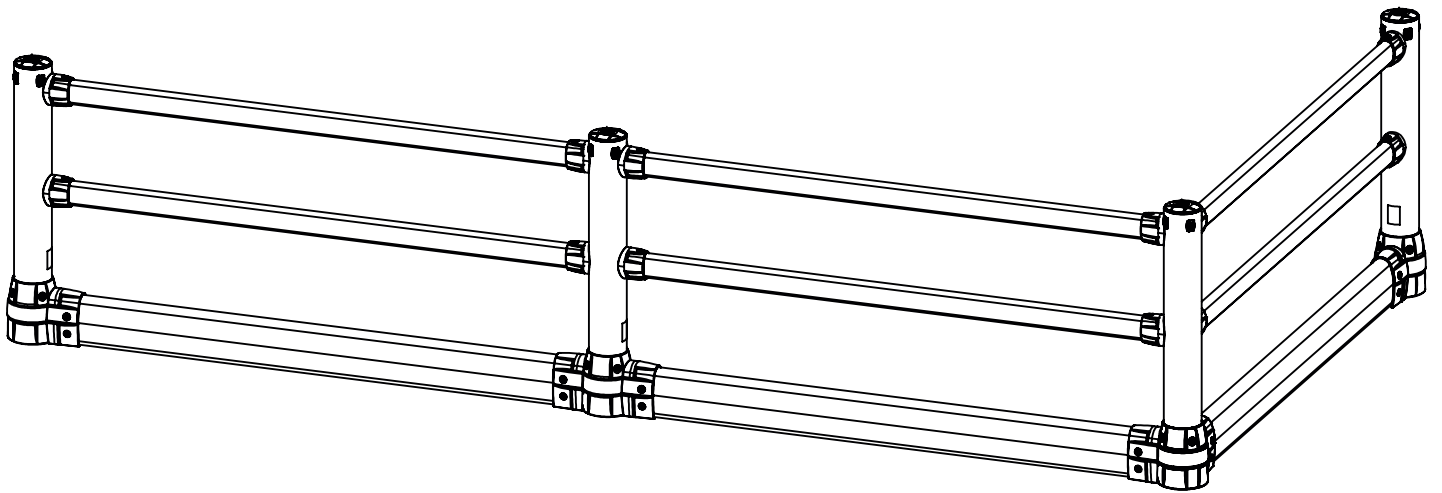
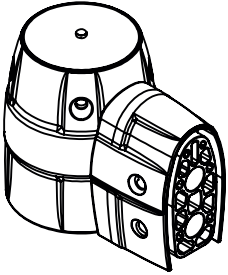


## FLEX+ S-Line with Under-run Guard Installations Instructions

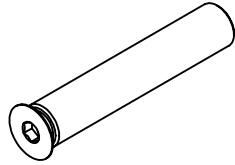


# Components

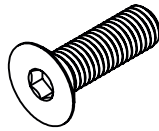
## Base start/end incl. fixing materials



QTY: 1



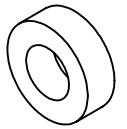
QTY: 2



QTY: 6

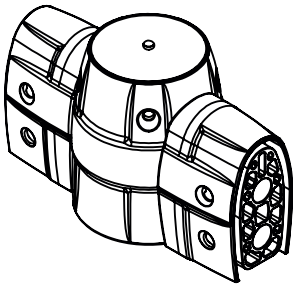


QTY: 4

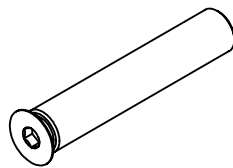


QTY: 4

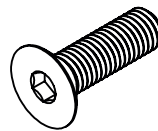
## Base centre incl. fixing materials



QTY: 1



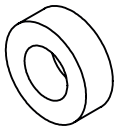
QTY: 4



QTY: 8

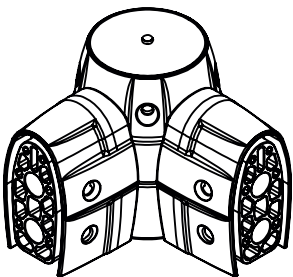


QTY: 4

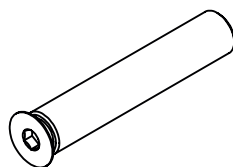


QTY: 4

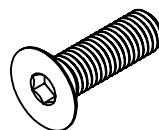
## Base corner incl. fixing materials



QTY: 1



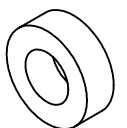
QTY: 4



QTY: 8



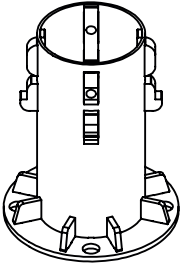
QTY: 4



QTY: 4

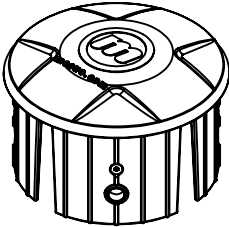
# Components

## Base floor anchor



QTY: 1

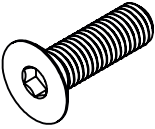
## Cover cap incl. fixing materials



QTY: 1

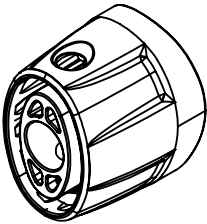


QTY: 4

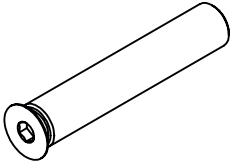


QTY: 4

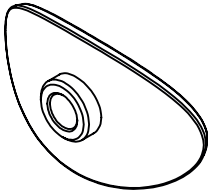
## S-Line Connector incl. fixing materials



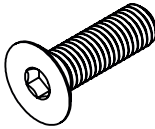
QTY: 1



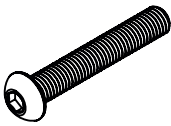
QTY: 1



QTY: 1



QTY: 1



QTY: 1



QTY: 1

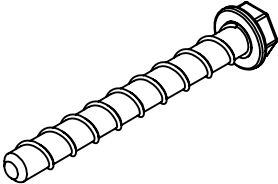


QTY: 1

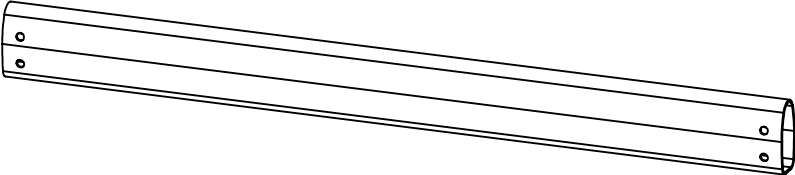
**Components**

---

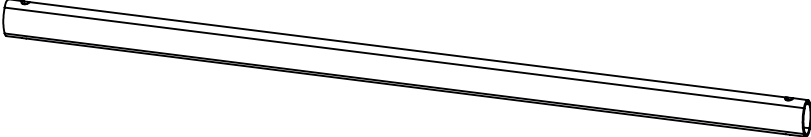
**Concrete Anchor**



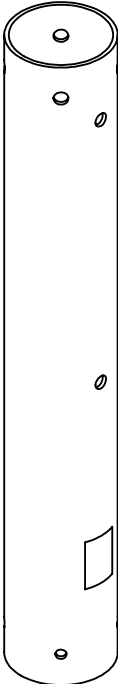
**Crossbar Under-run Guard**



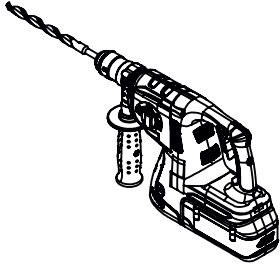
**Crossbar S-Line**



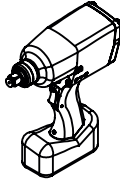
**S-Line Post start/end |  
centre | corner**



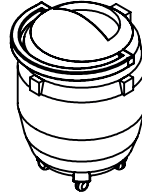
# Required Tools



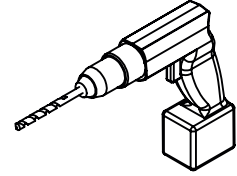
Hammer Drill With  
Ø 12mm [1/2in] Masonry Bit



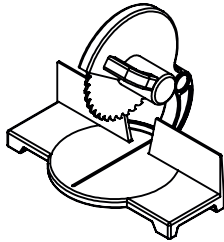
Impact  
Driver



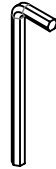
Vacuum



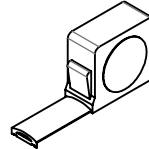
Drill with  
Ø 20mm [3/4in] Bit



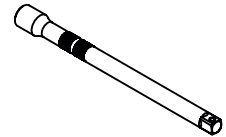
Mitre Saw



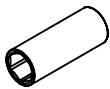
Hex Key  
8mm [5/16in]



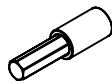
Measuring Tape



Socket Extender



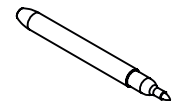
Hex Socket  
17mm [3/4in]



Hex Bit  
8mm [5/16in]



Chalk Line

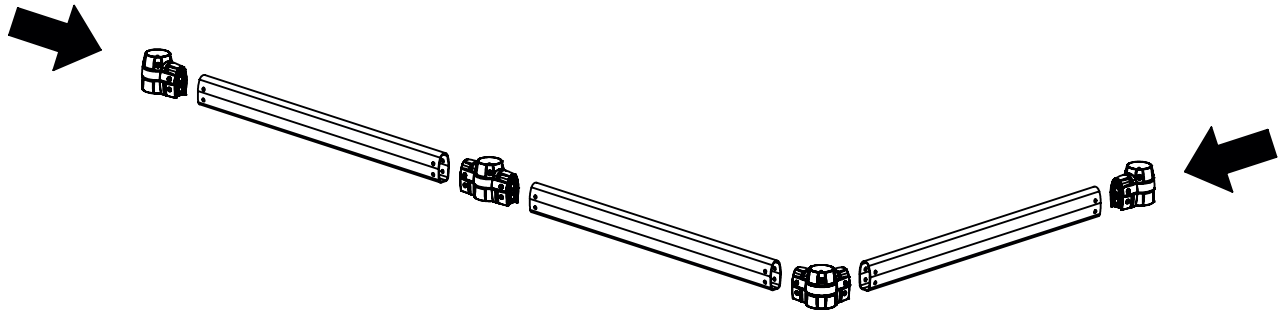


Marker

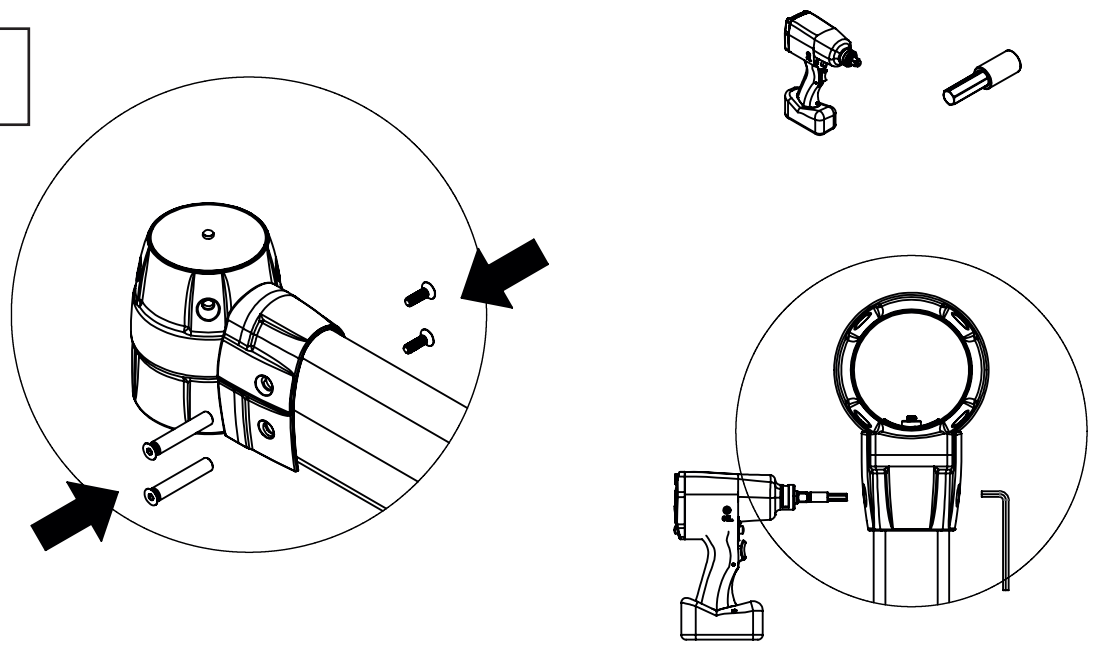


**PPE recommended: High Visibility Vest, Steel Toe Boots, Work Gloves, Ear Protection, Dust Mask, Eye Protection.**

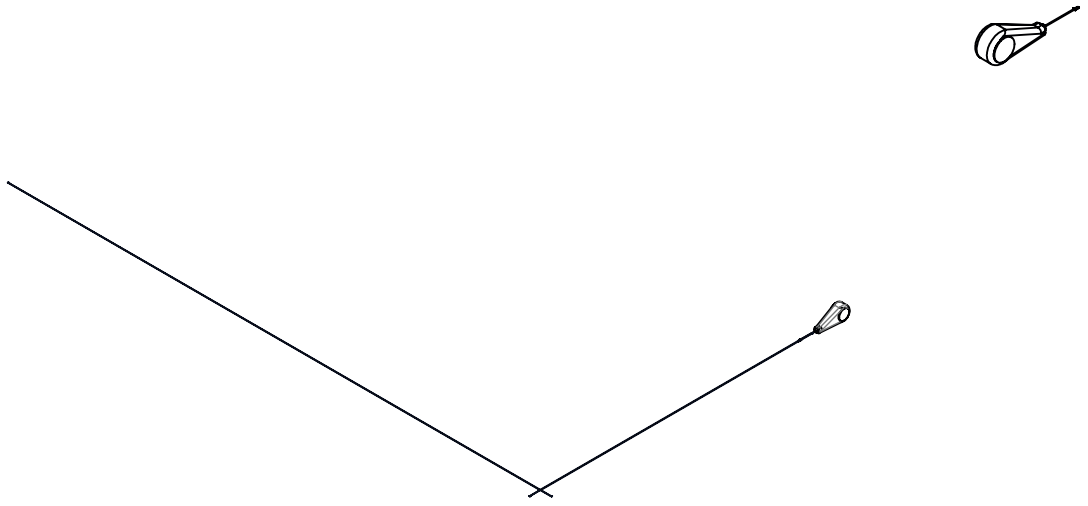
**Step 1**



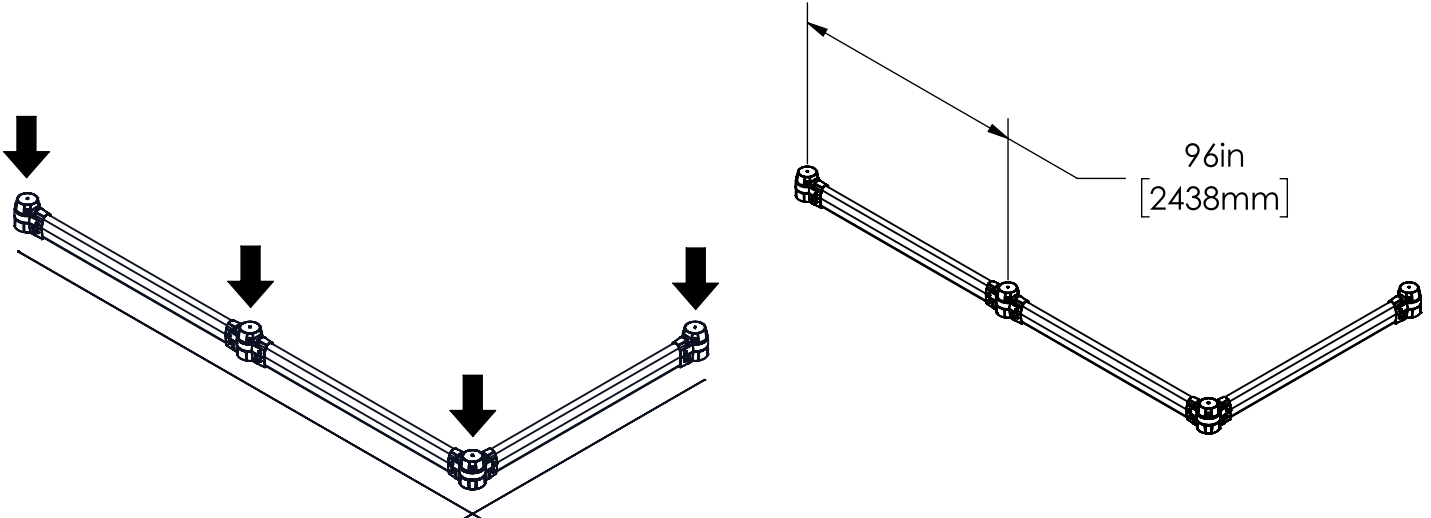
**Step 2**



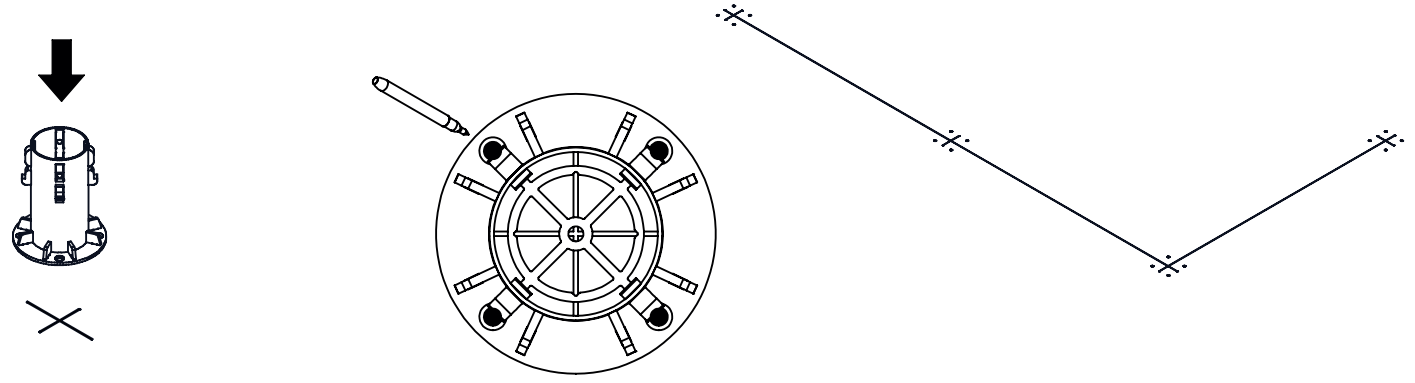
**Step 3**



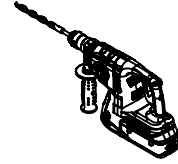
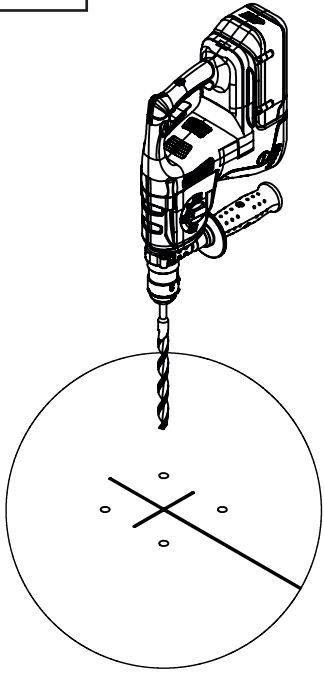
**Step 4**



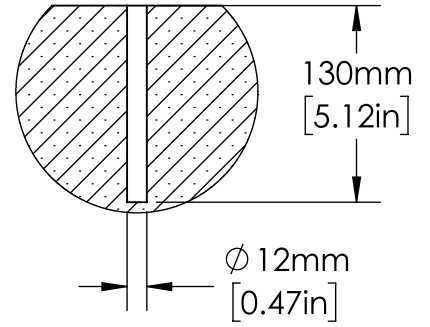
**Step 5**



# Step 6

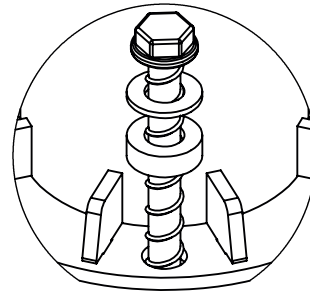
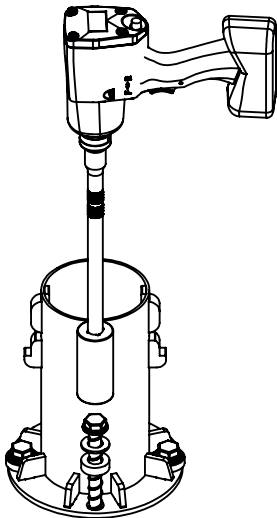
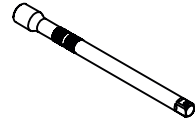
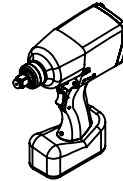


Anchor detail



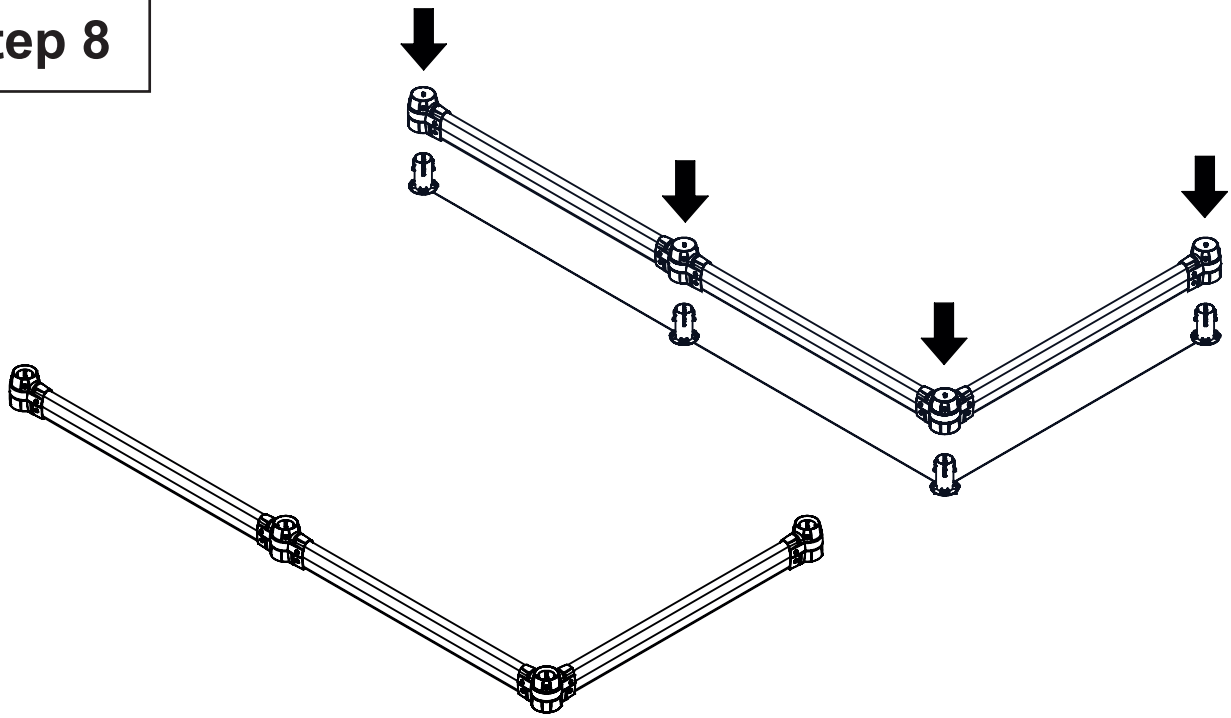
- PPE recommended: High Visibility Vest, Steel Toe Boots, Work Gloves, Ear Protection, Dust Mask, Eye Protection.
- Clean concrete dust by running the vacuum during drilling.

# Step 7

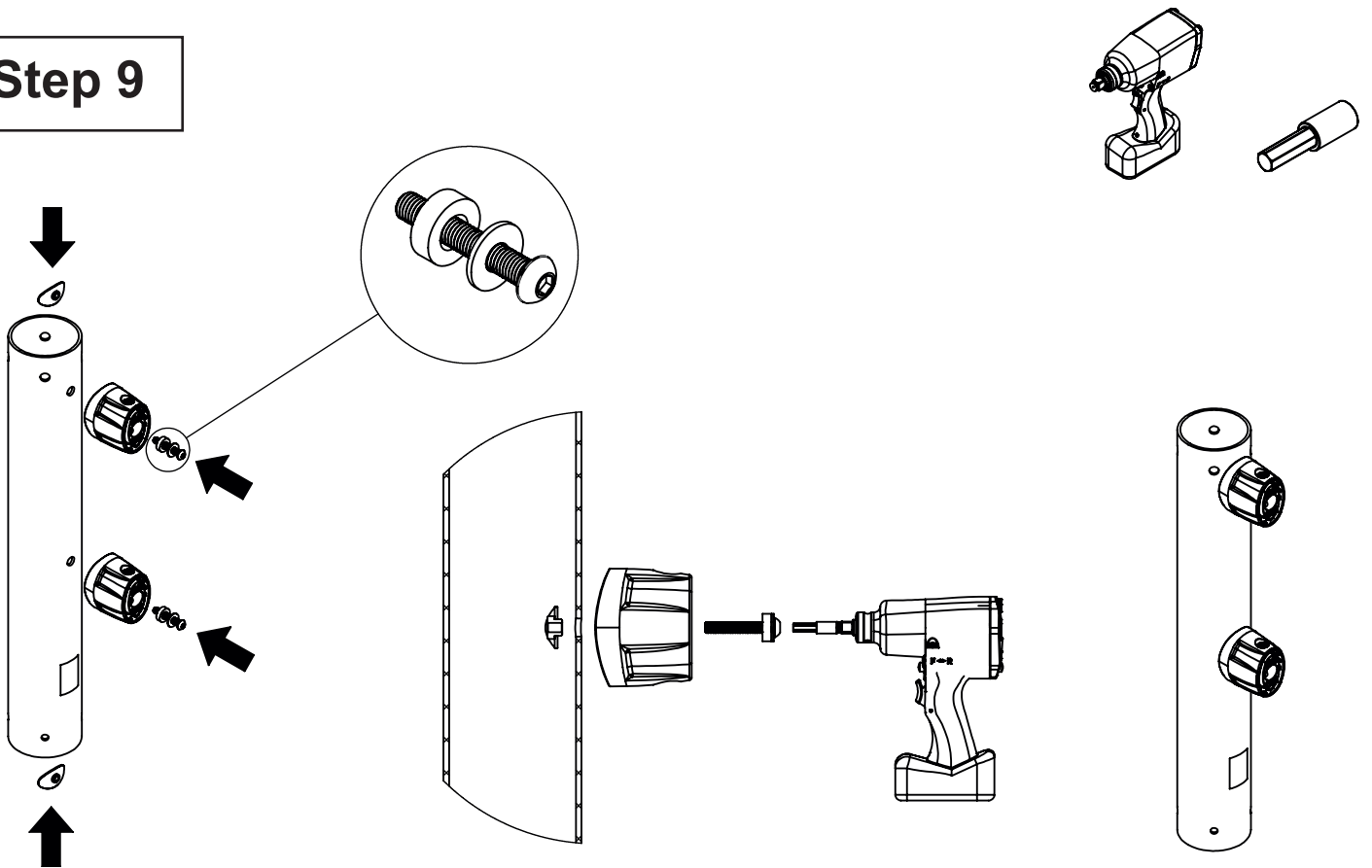


Anchor detail

**Step 8**

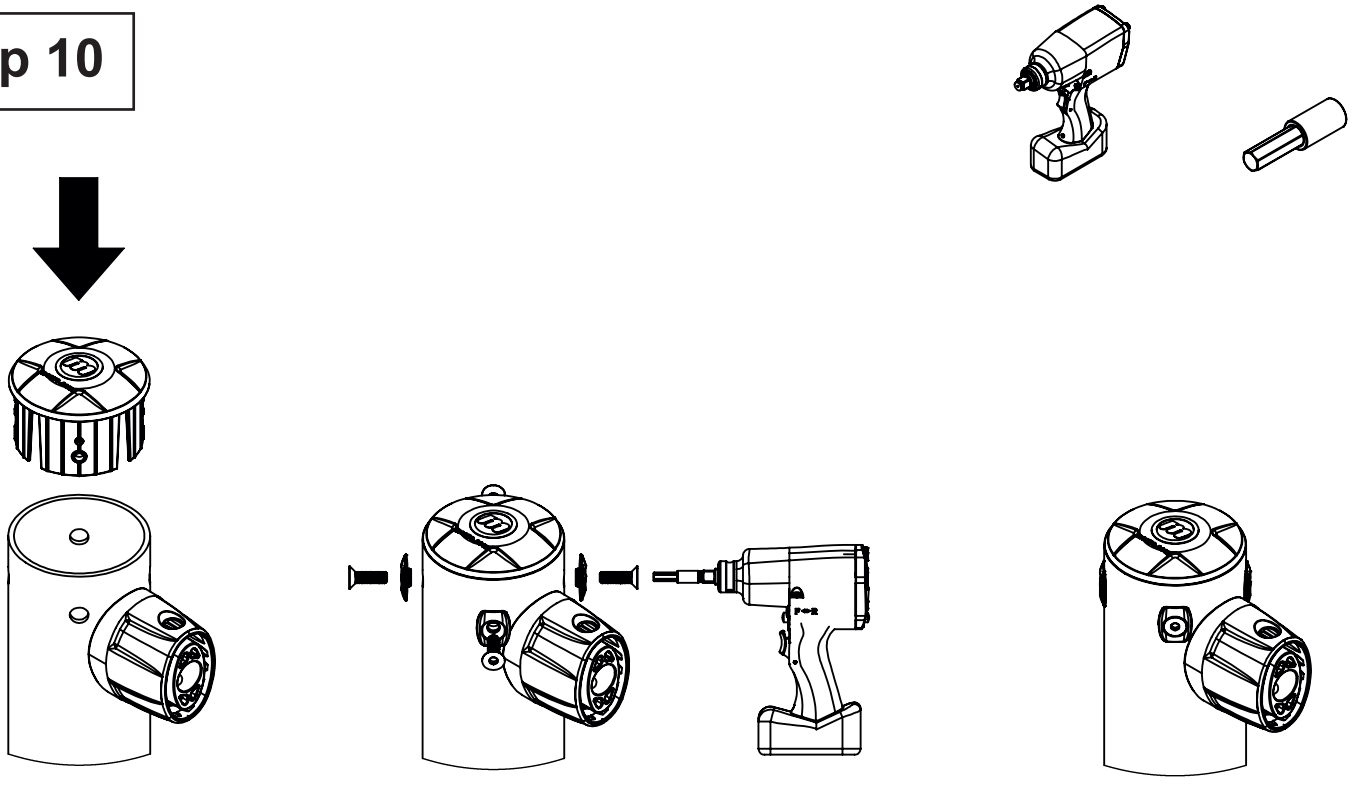


**Step 9**



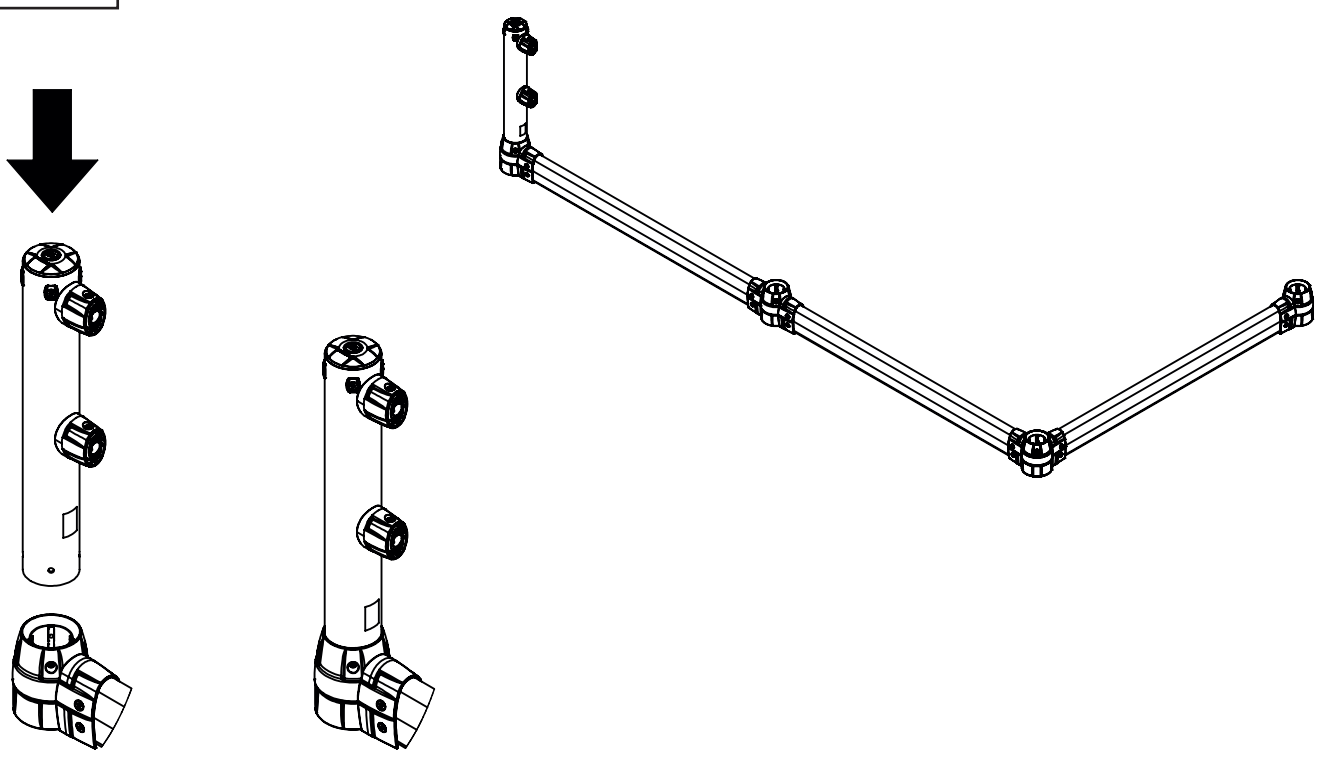
**REPEAT FOR ALL POSTS**

**Step 10**

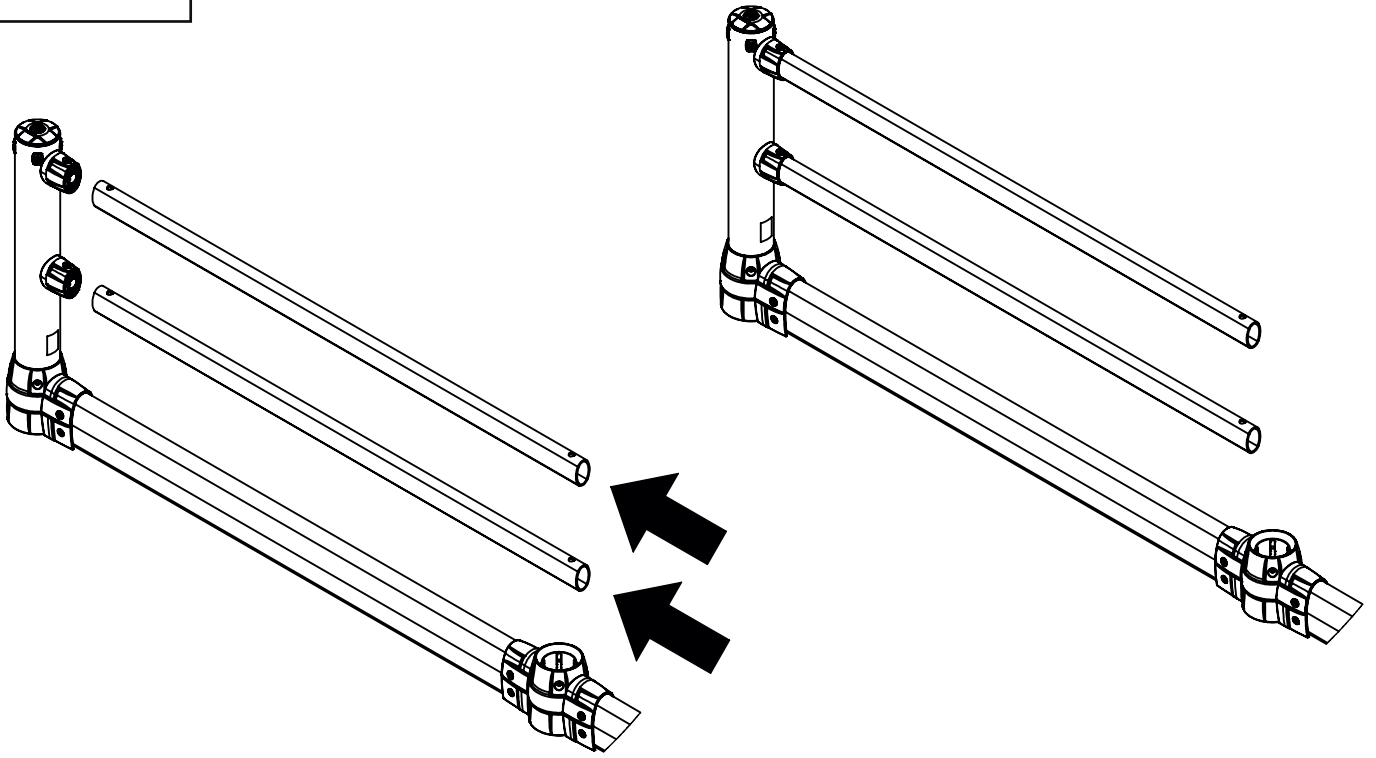


**REPEAT FOR ALL POSTS**

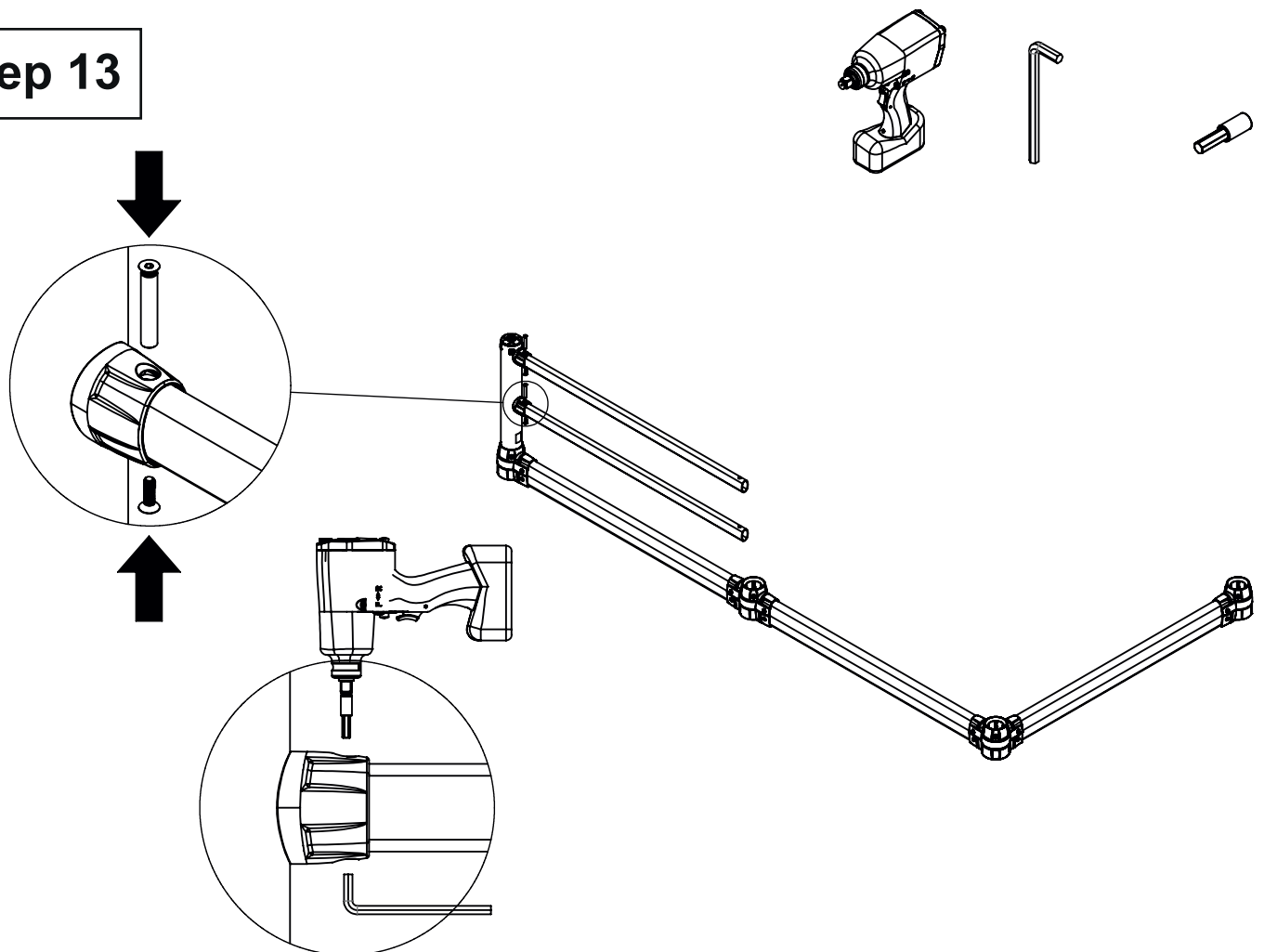
**Step 11**



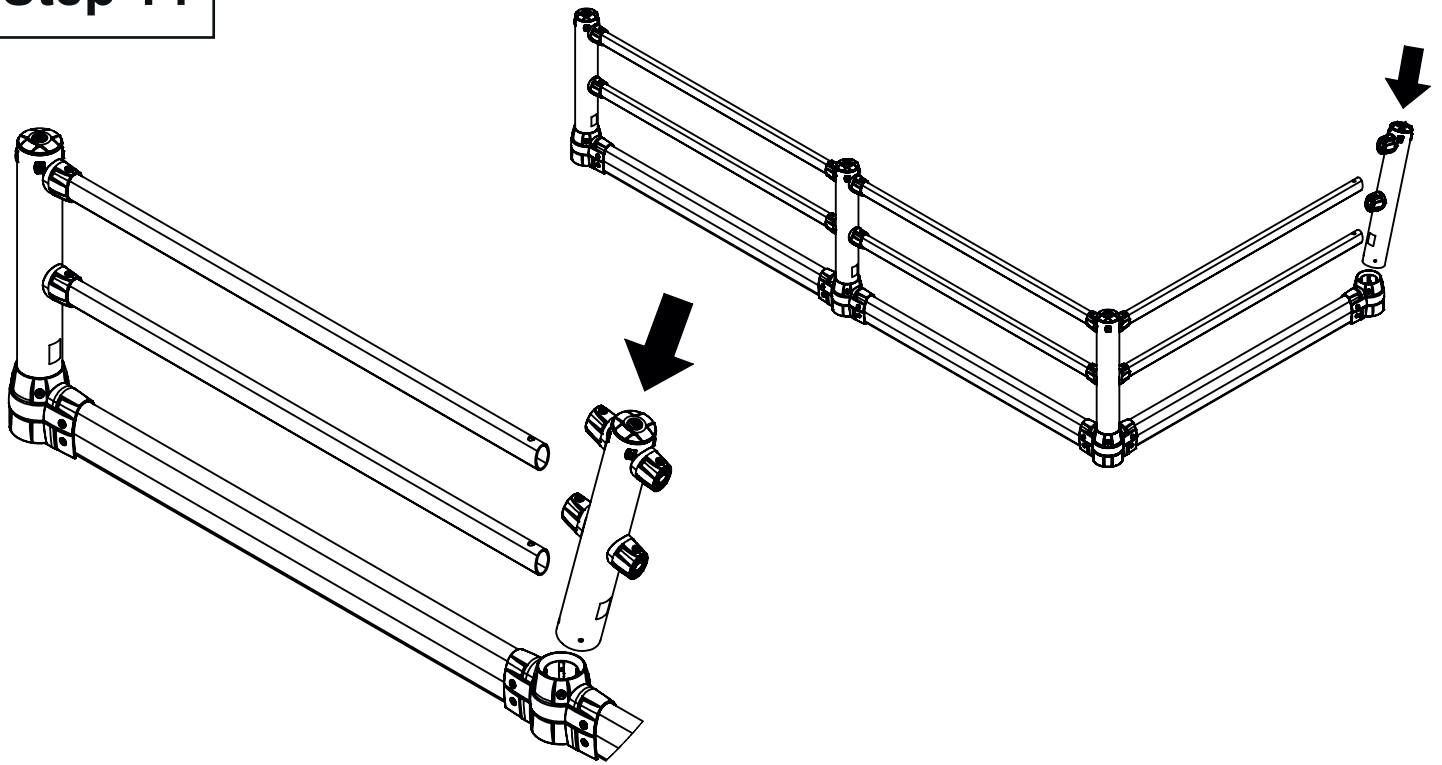
## Step 12



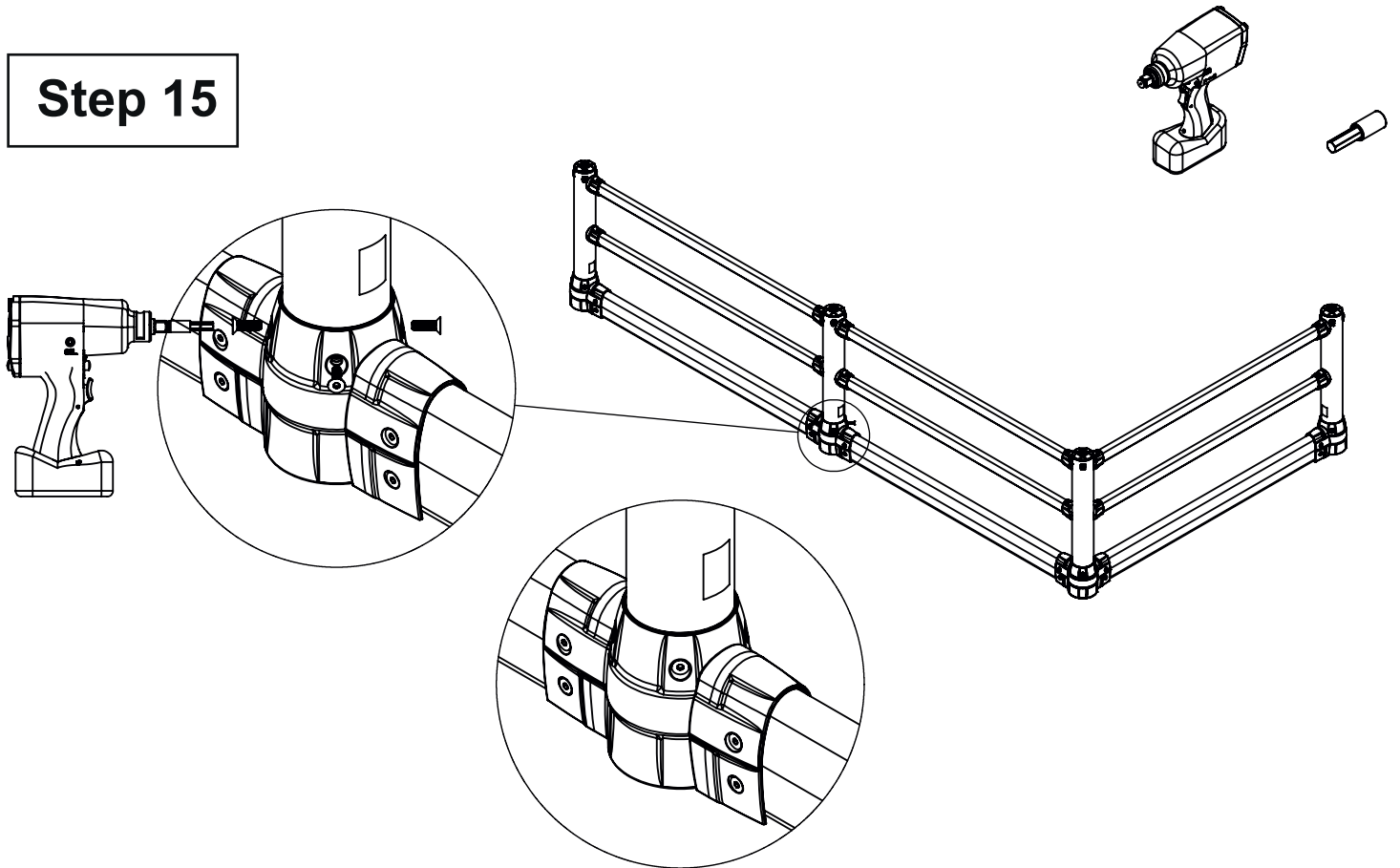
## Step 13



**Step 14**



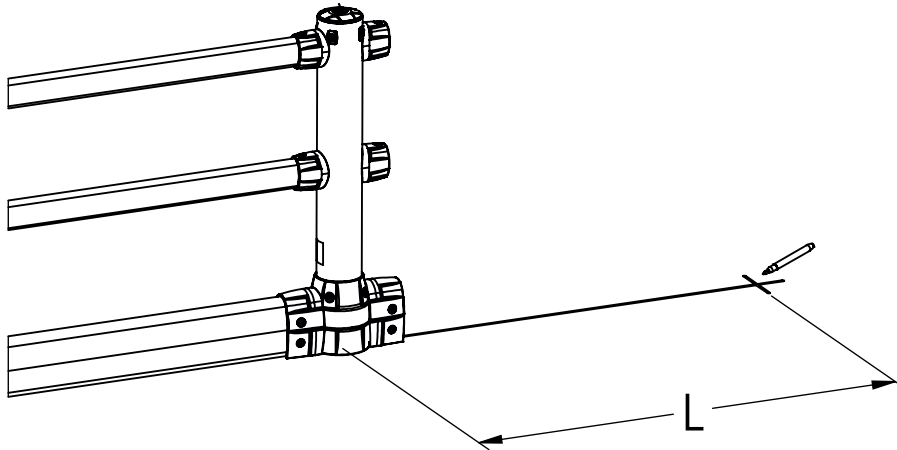
**Step 15**



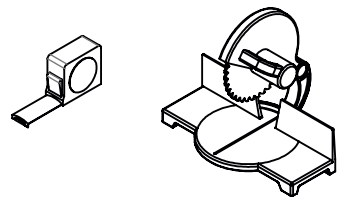
**REPEAT FOR ALL POSTS**

# Appendix A: Custom Length Rails

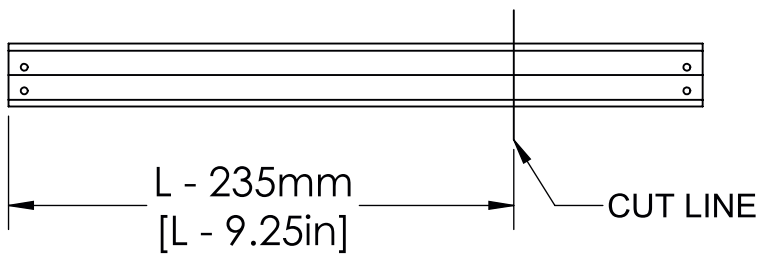
## Step A1



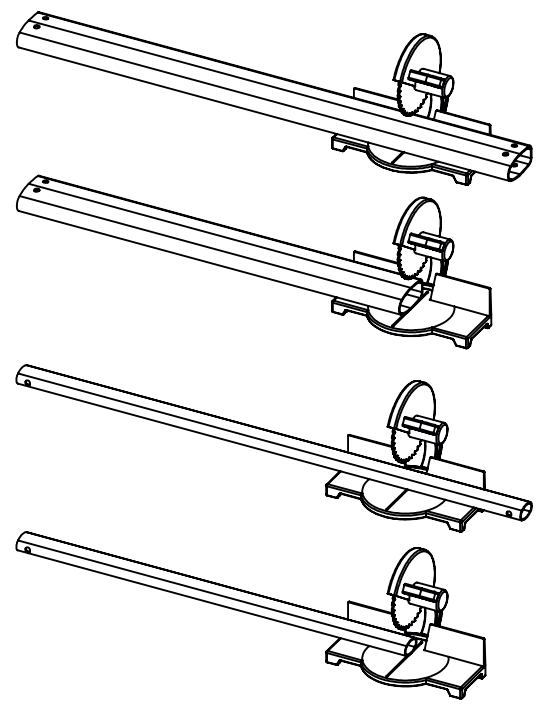
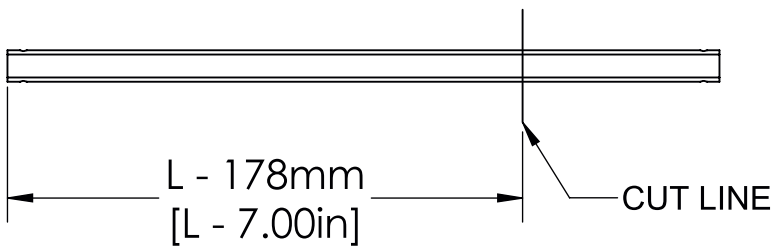
## Step A2



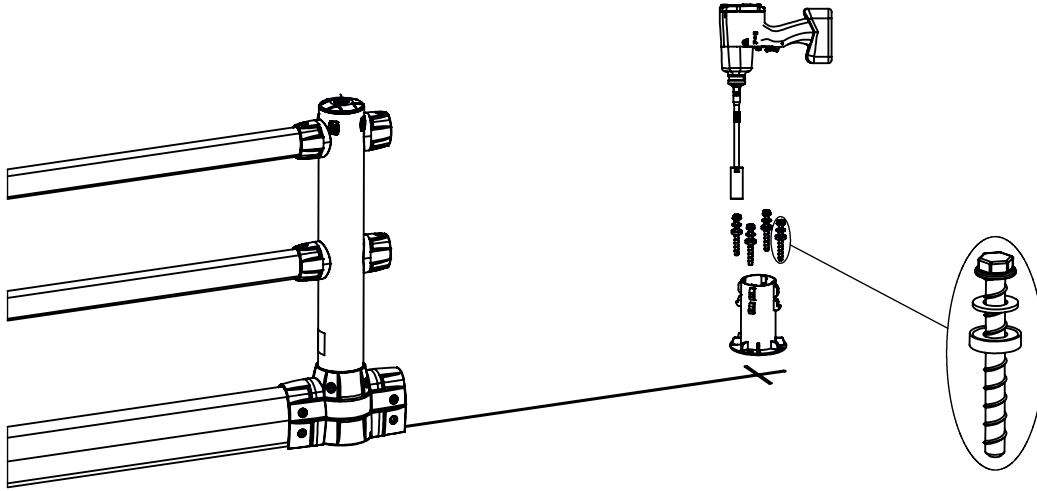
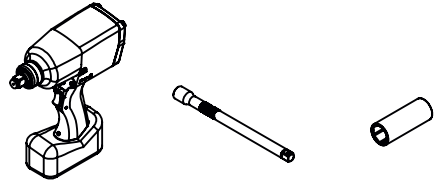
### Crossbar Under-run Guard



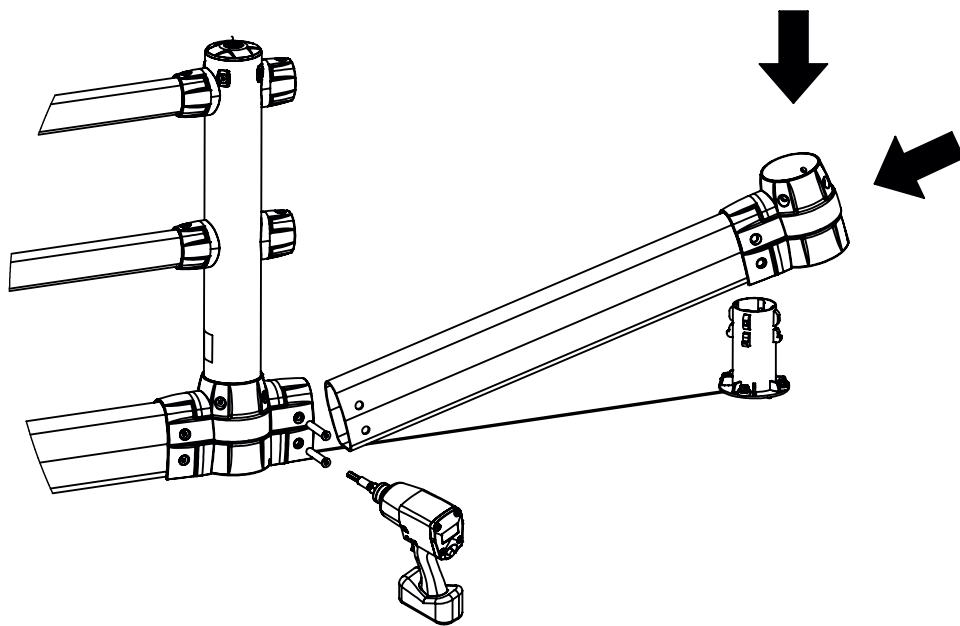
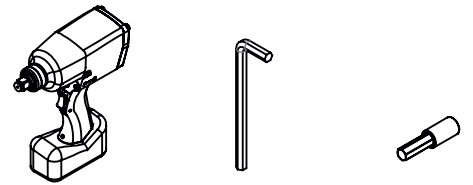
### Crossbar S-Line



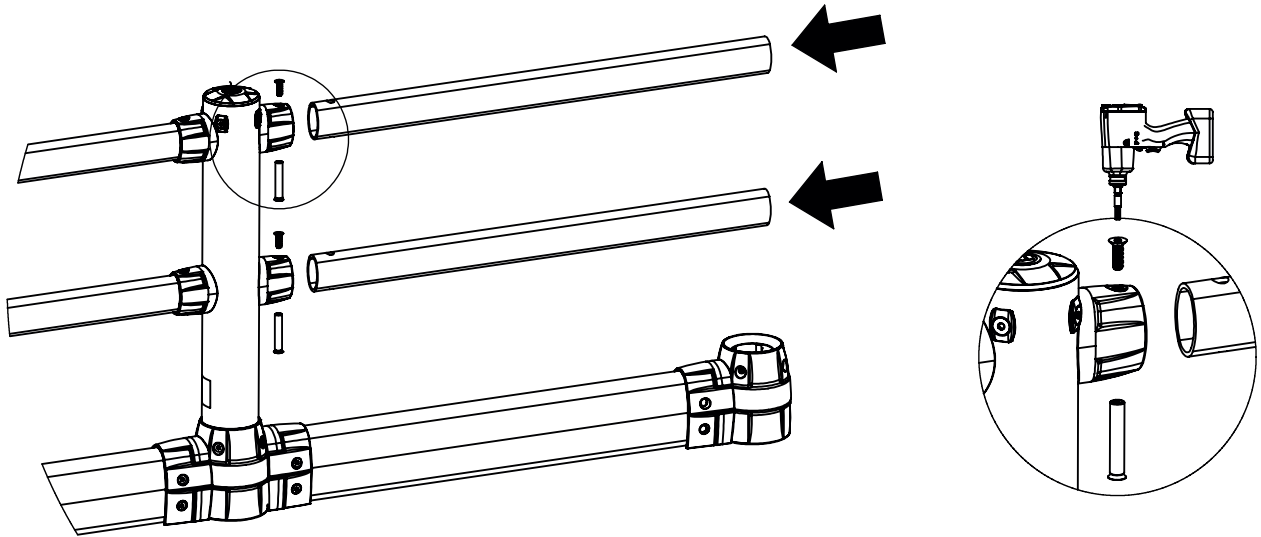
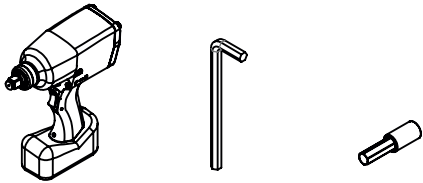
**Step A3**



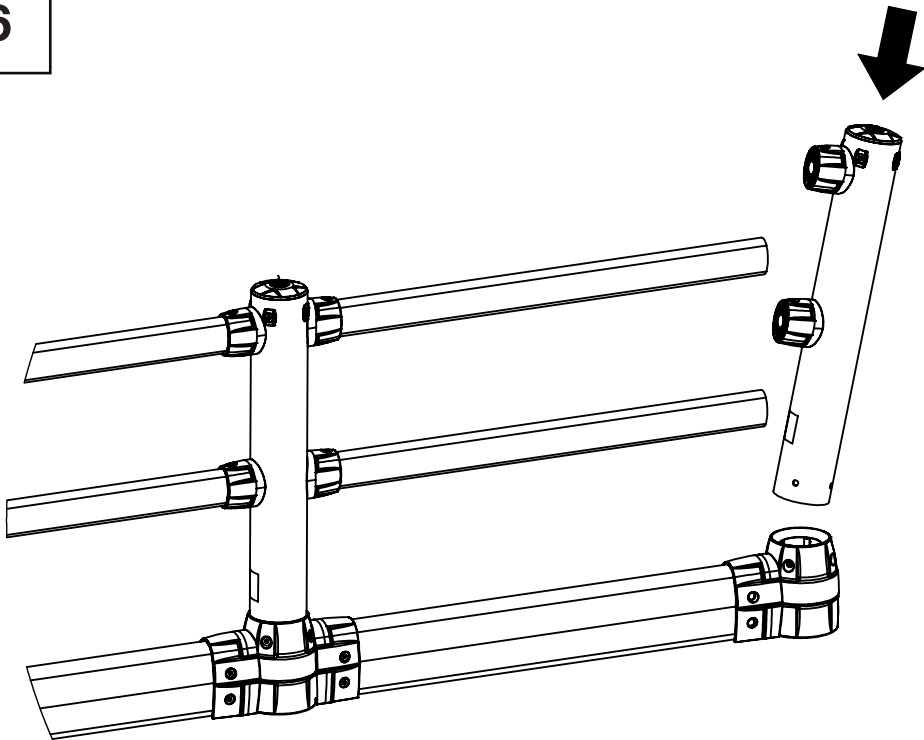
**Step A4**



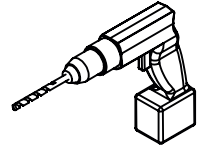
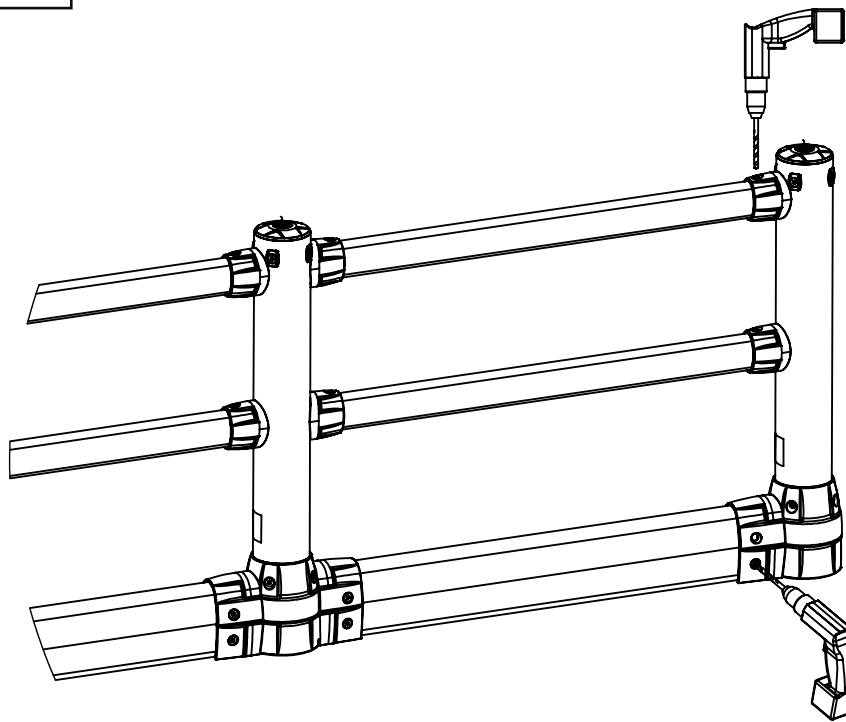
**Step A5**



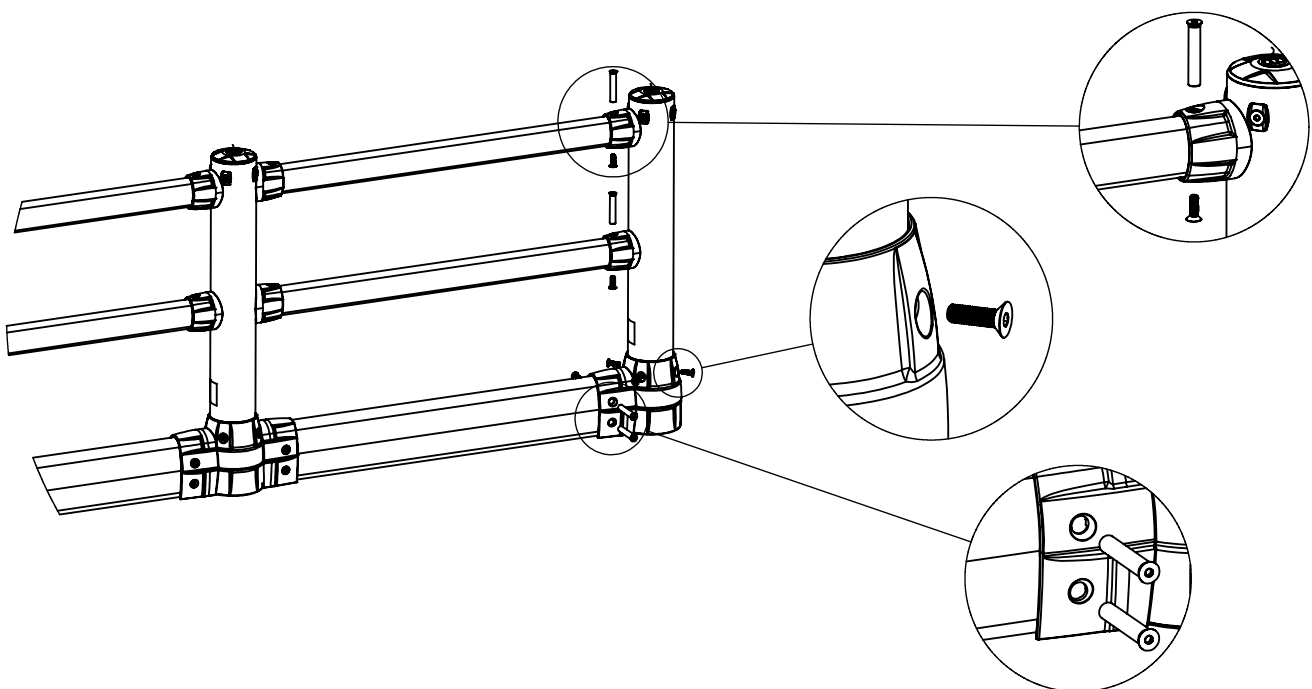
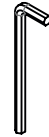
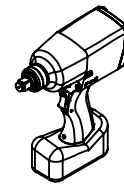
**Step A6**



## Step A7



## Step A8



# Installation Complete

