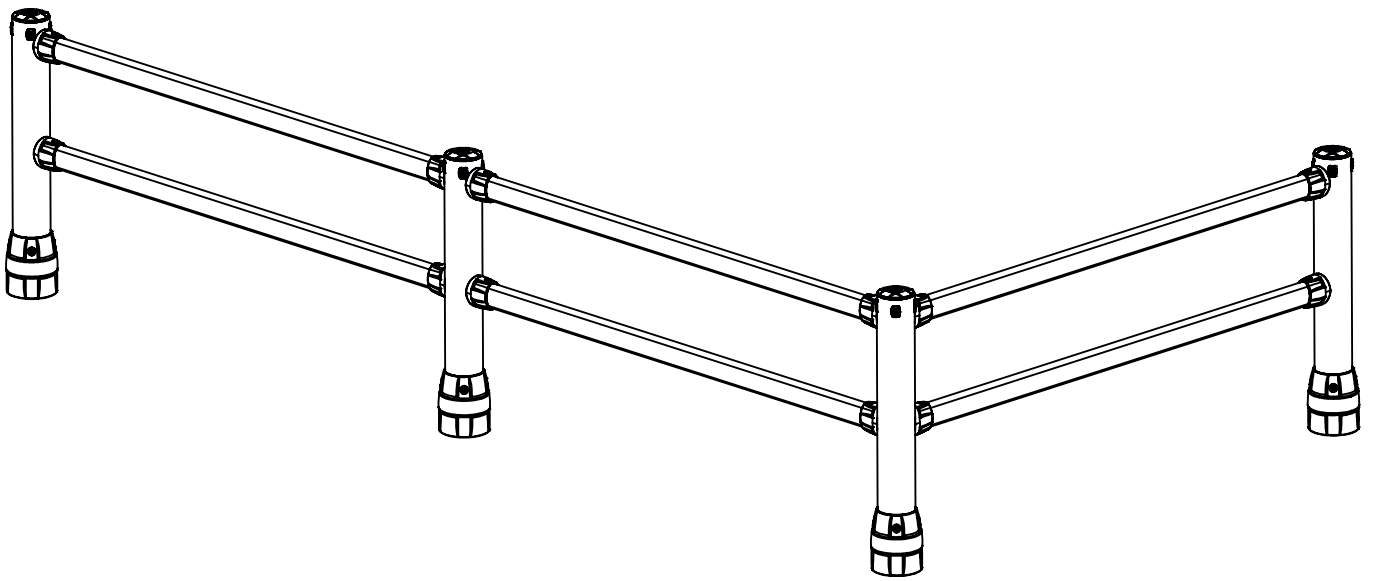


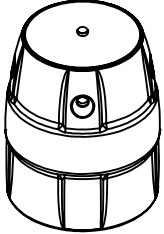
## FLEX+ S-Line

Installations Instructions

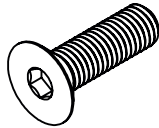


# Components

## Base incl. fixing materials



QTY: 1



QTY: 4

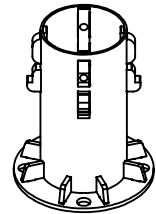


QTY: 4



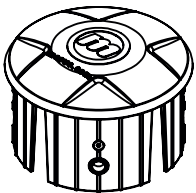
QTY: 4

## Base floor anchor



QTY: 1

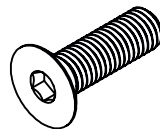
## Cover cap incl. fixing materials



QTY: 1

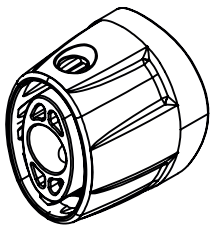


QTY: 4

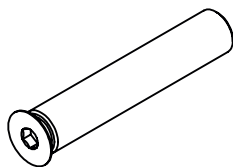


QTY: 4

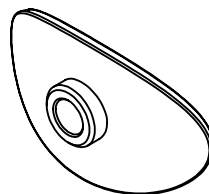
## S-Line Connector incl. fixing materials



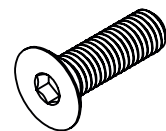
QTY: 1



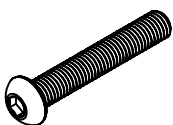
QTY: 1



QTY: 1



QTY: 1



QTY: 1



QTY: 1

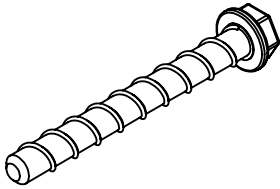


QTY: 1

# Components

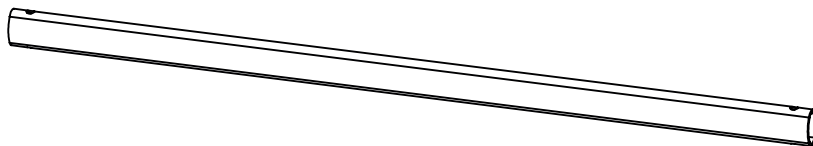
---

## Concrete Anchor

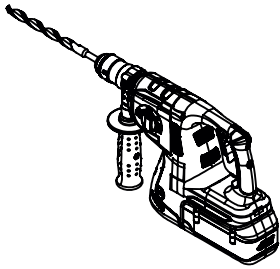


## S-Line Post start/ende | centre | corner

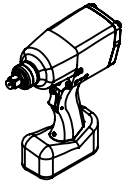
## Crossbar S-Line



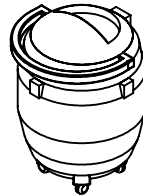
## Required Tools



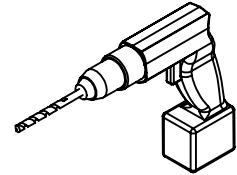
Hammer Drill With  
 $\varnothing$  12mm or  $\varnothing$  1/2in  
Masonry Bit



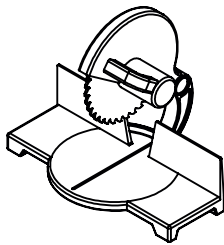
Impact  
Driver



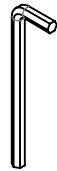
Vacuum



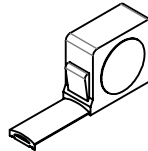
Drill with  
 $\varnothing$  20mm [3/4in] Bit



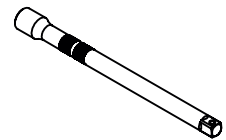
Mitre Saw



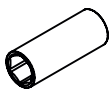
Hex Key  
8mm [5/16in]



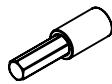
Measuring Tape



Socket Extender



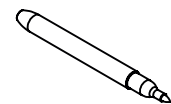
Hex Socket  
17mm [3/4in]



Hex Bit  
8mm [5/16in]



Chalk Line

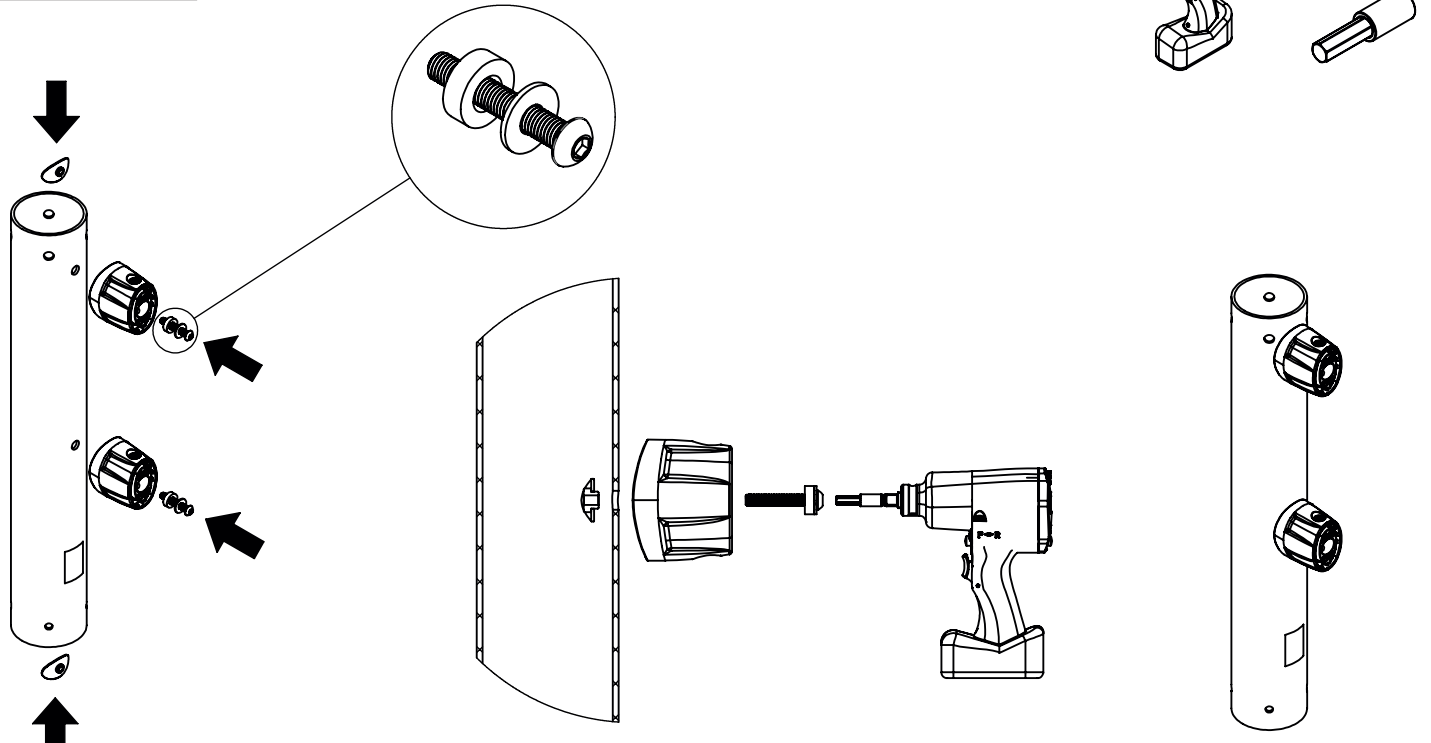


Marker



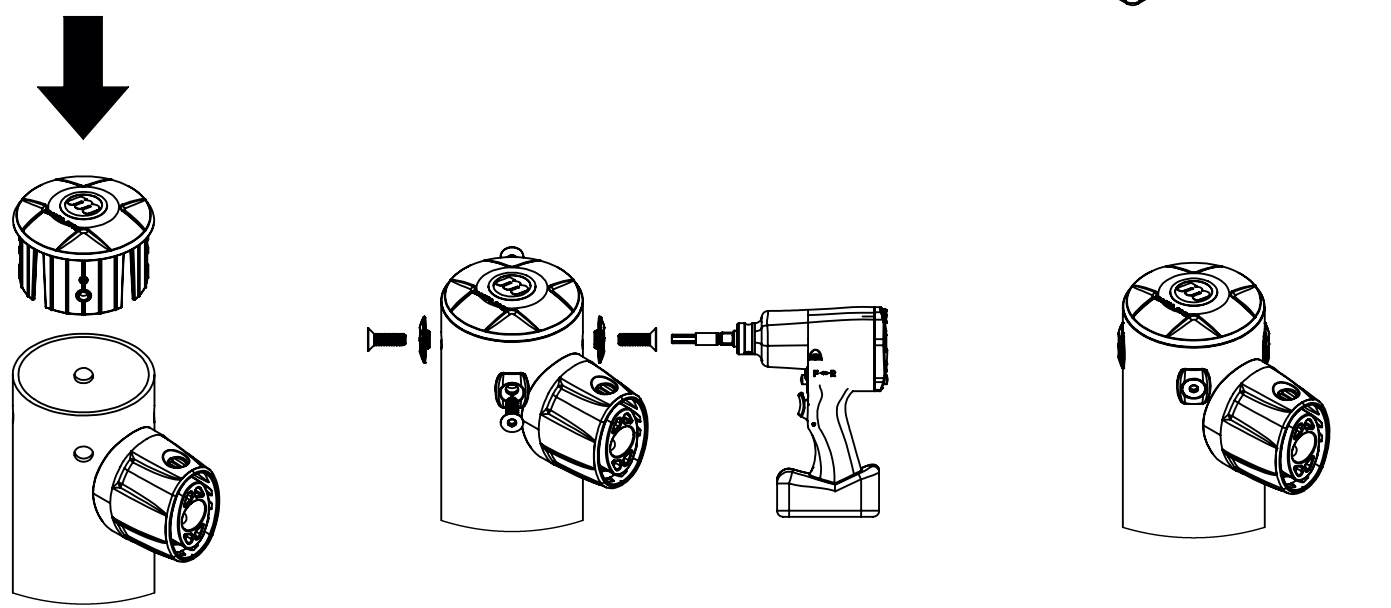
**PPE recommended: High Visibility Vest, Steel Toe Boots, Work Gloves, Ear Protection, Dust Mask, Eye Protection.**

**Step 1**



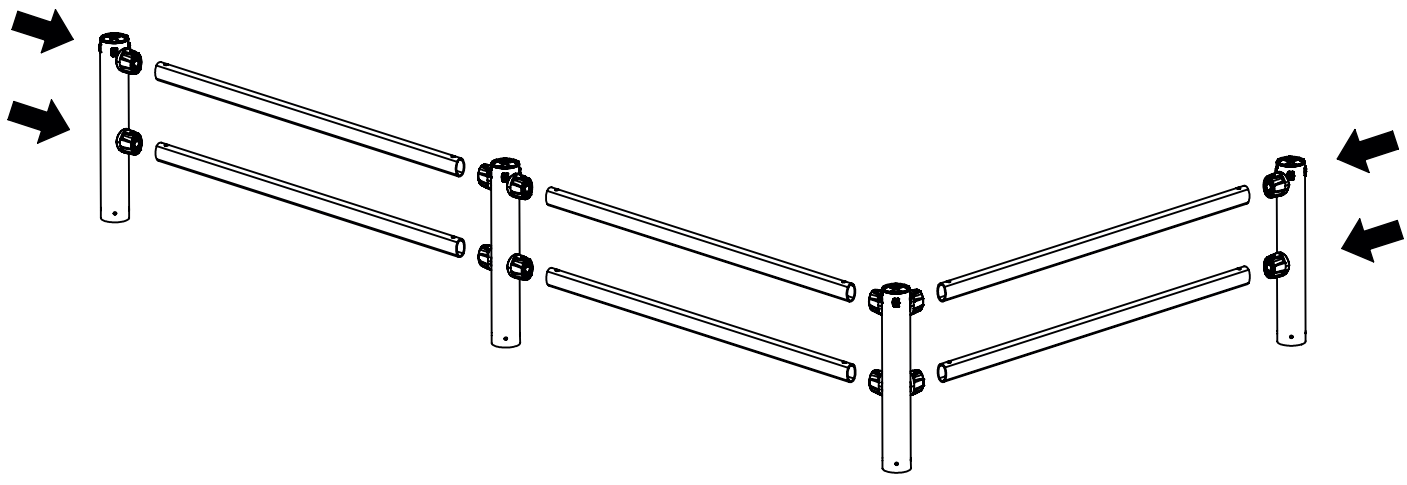
**Repeat for all posts**

**Step 2**

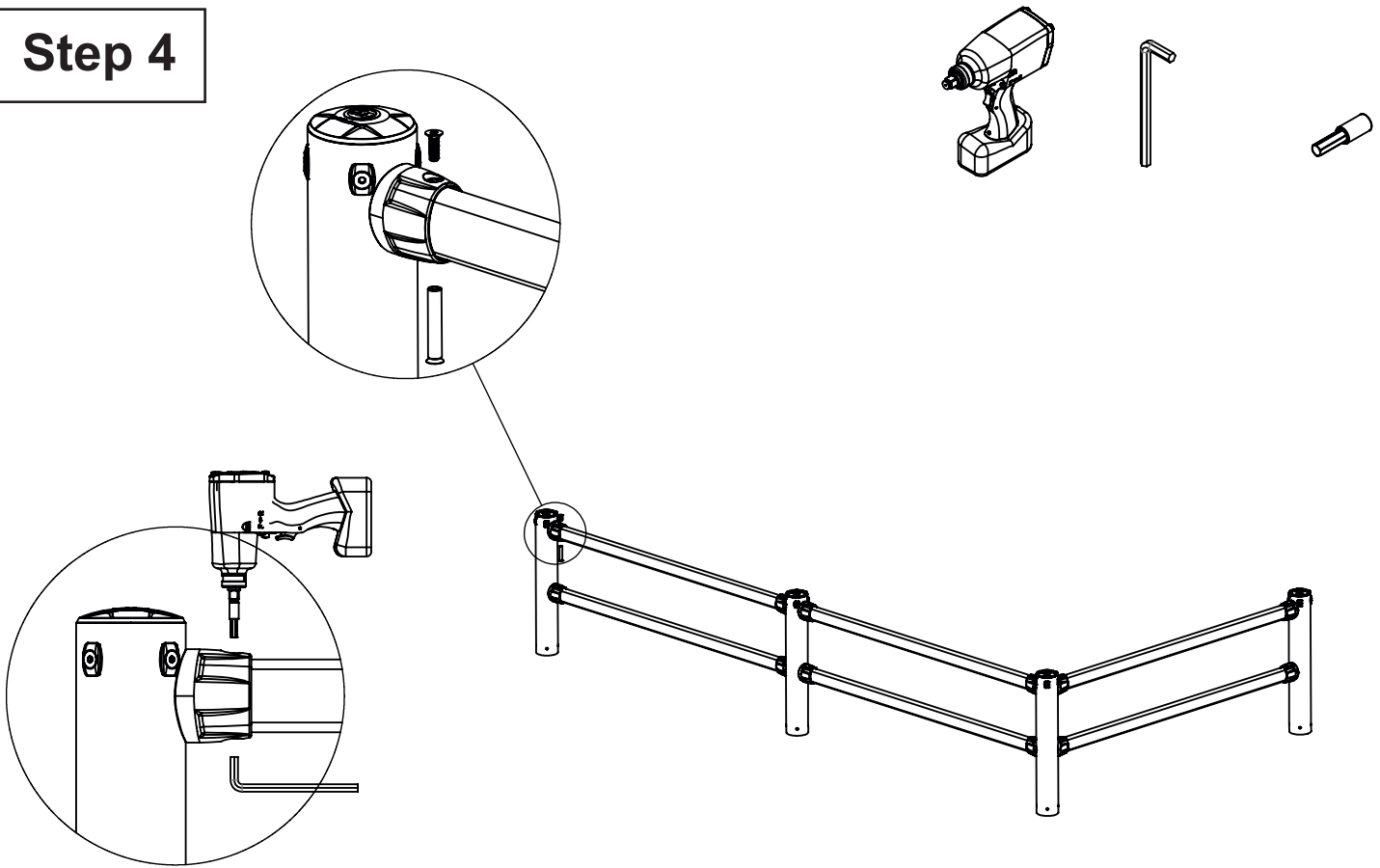


**Repeat for all posts**

**Step 3**

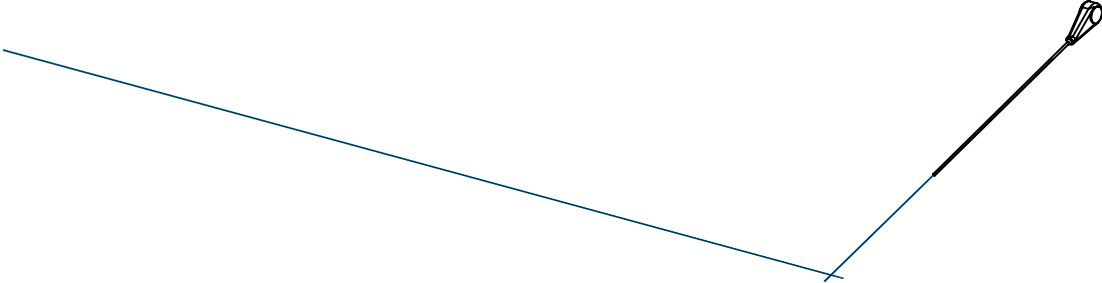
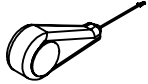


**Step 4**

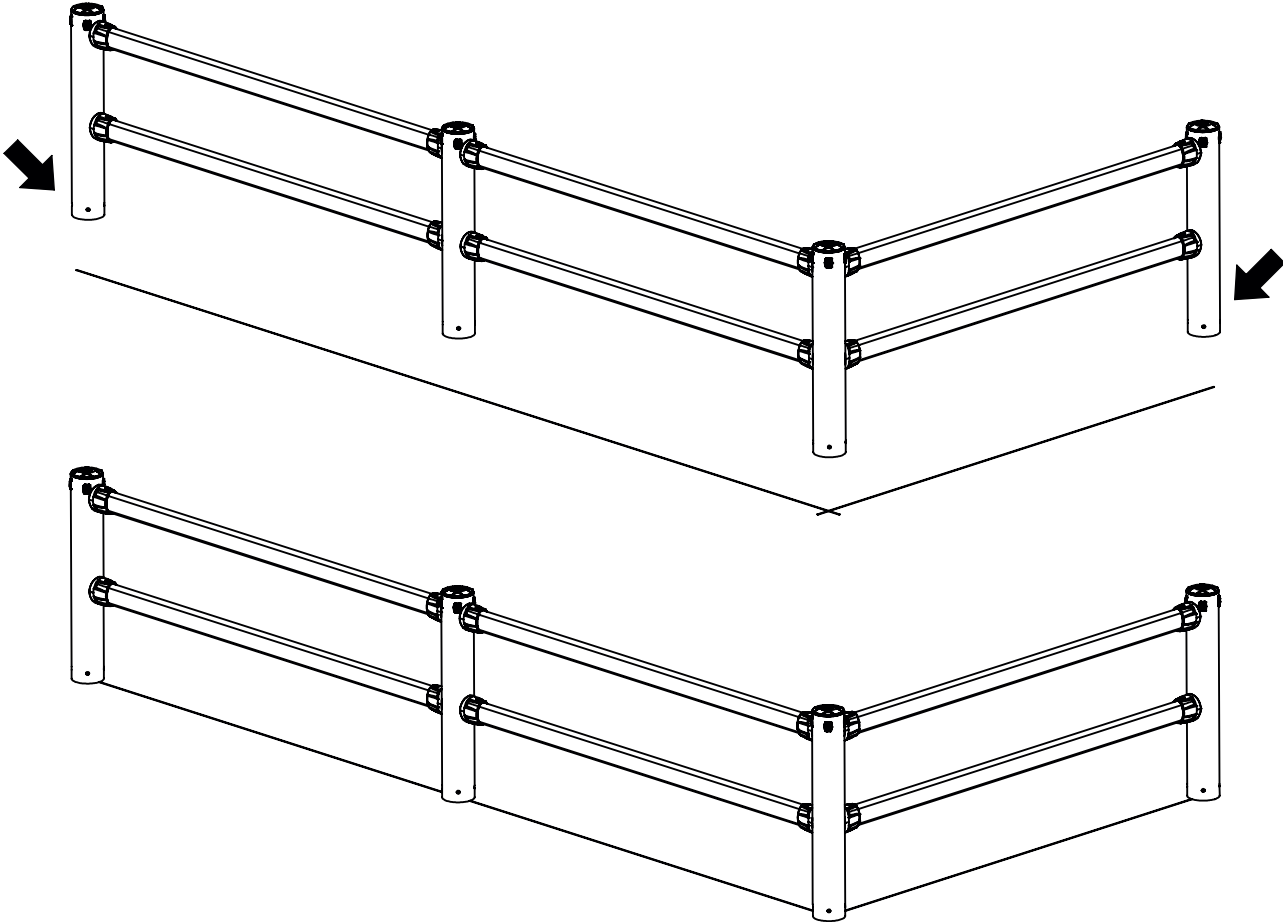


**Repeat for all connectors**

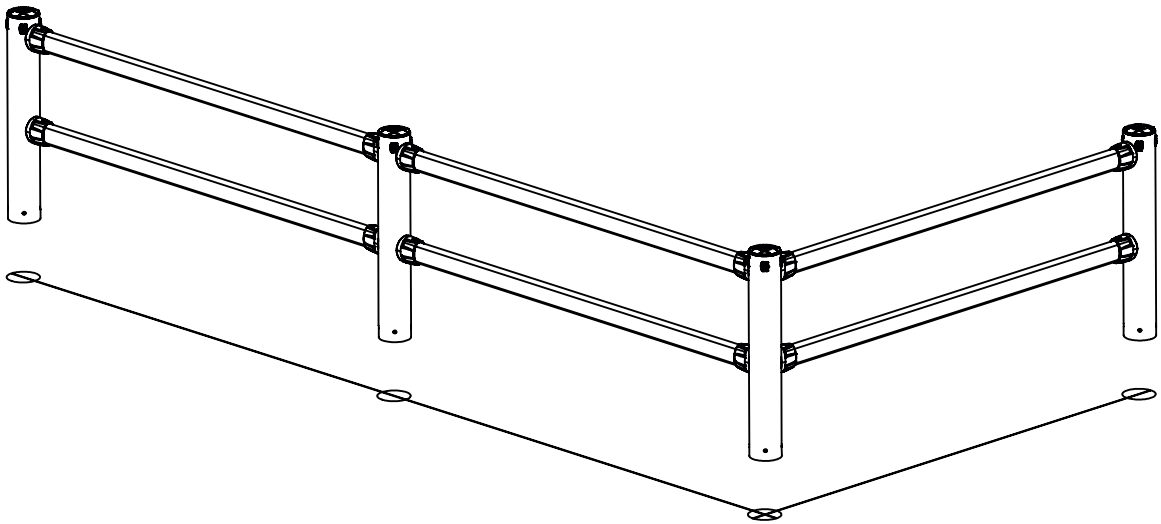
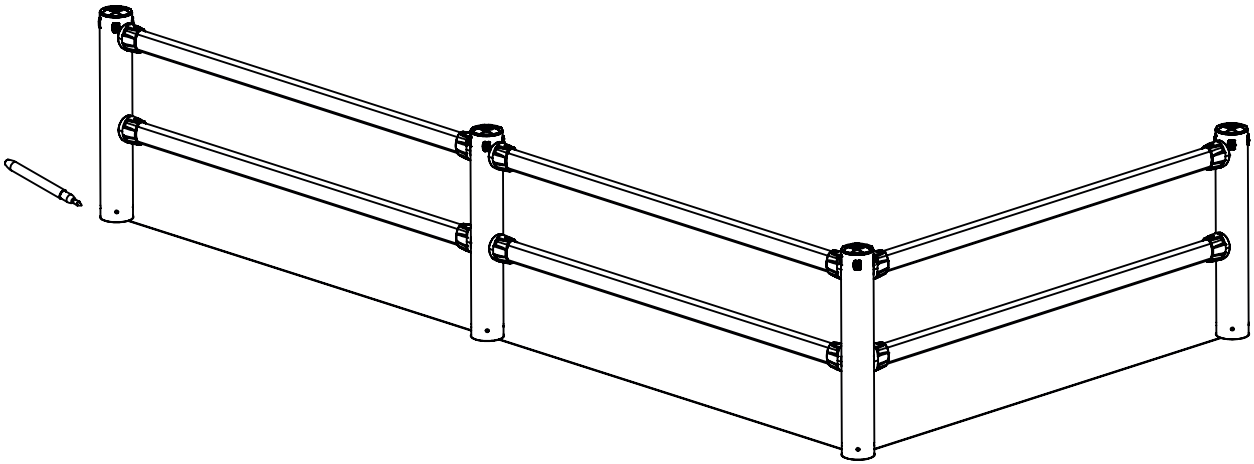
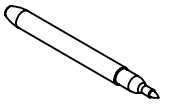
**Step 5**



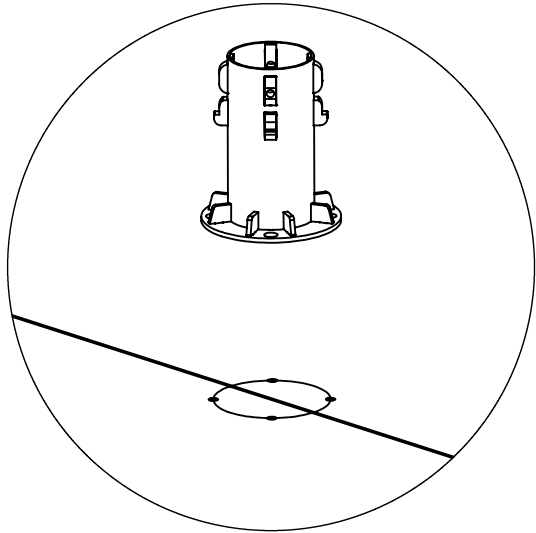
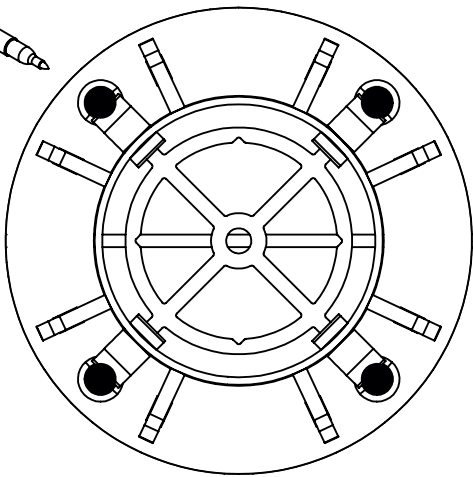
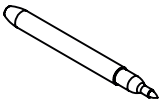
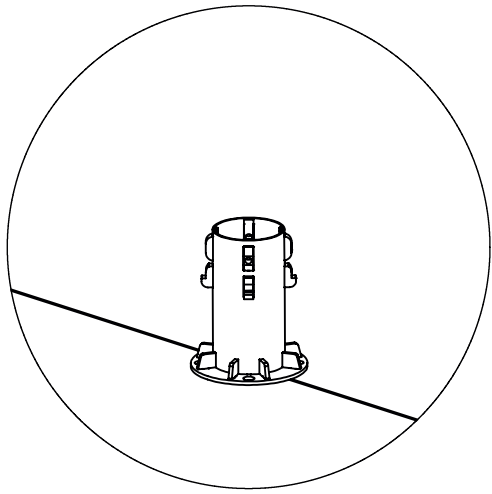
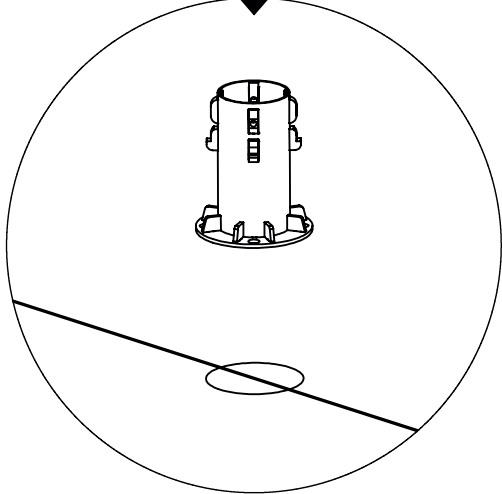
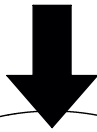
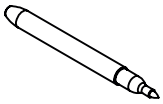
**Step 6**



**Step 7**

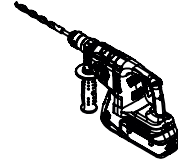
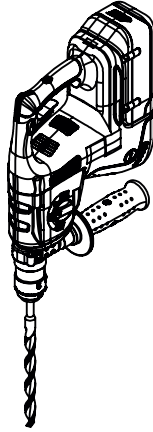


**Step 8**

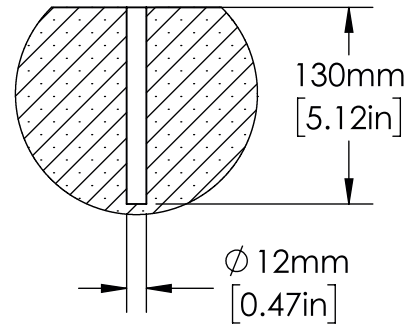


**Repeat for all base four anchor**

## Step 9

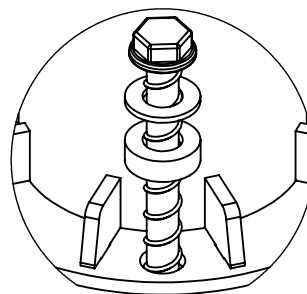
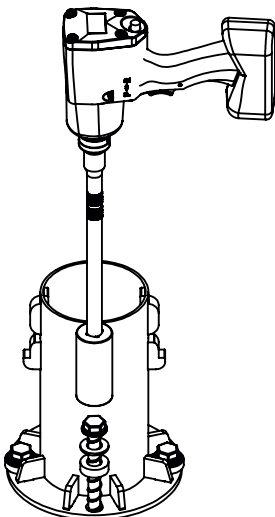
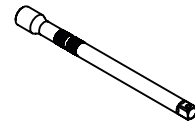


Anchor detail



- PPE recommended: High Visibility Vest, Steel Toe Boots, Work Gloves, Ear Protection, Dust Mask, Eye Protection.
- Clean concrete dust by running the vacuum during drilling.

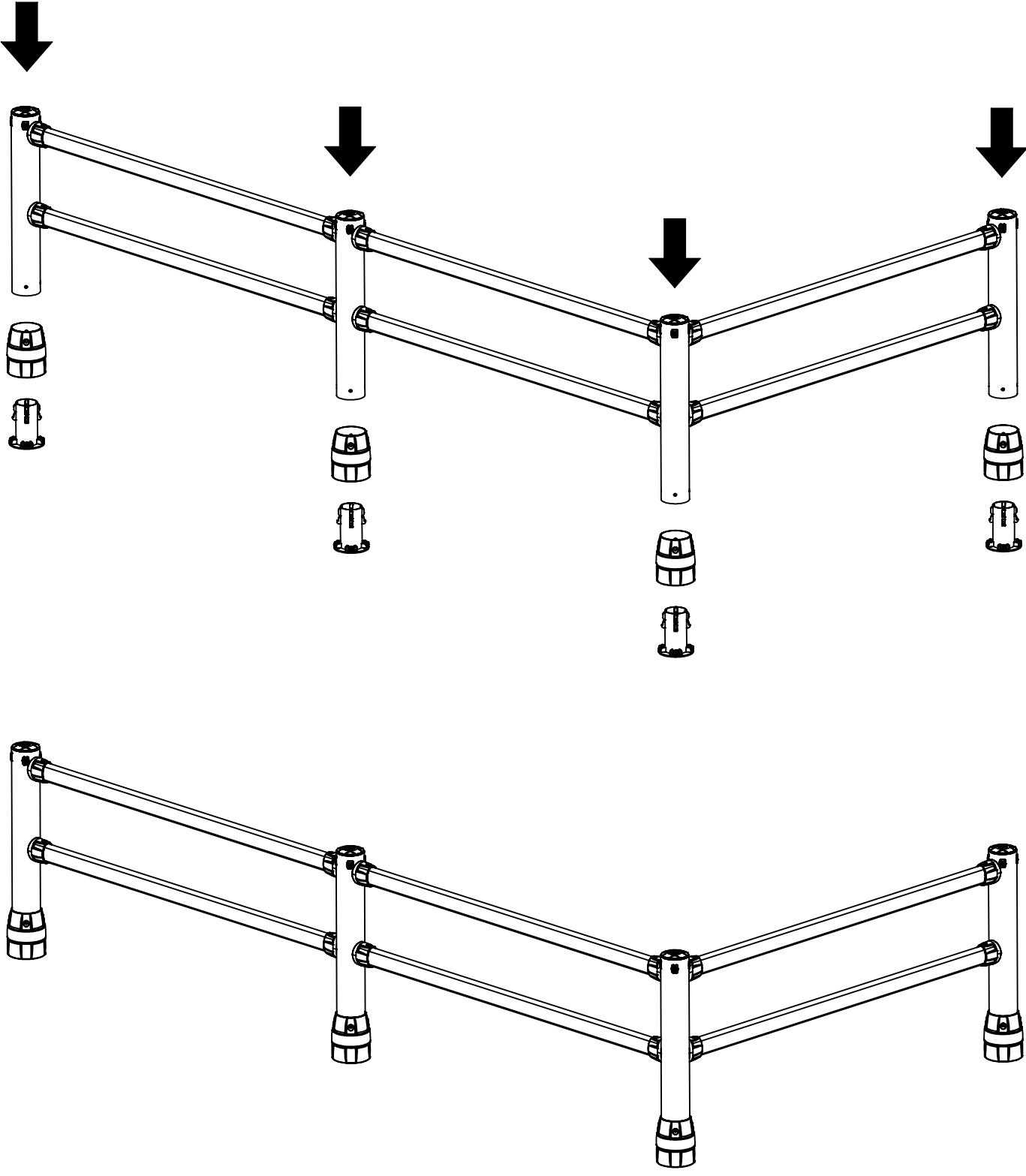
## Step 10



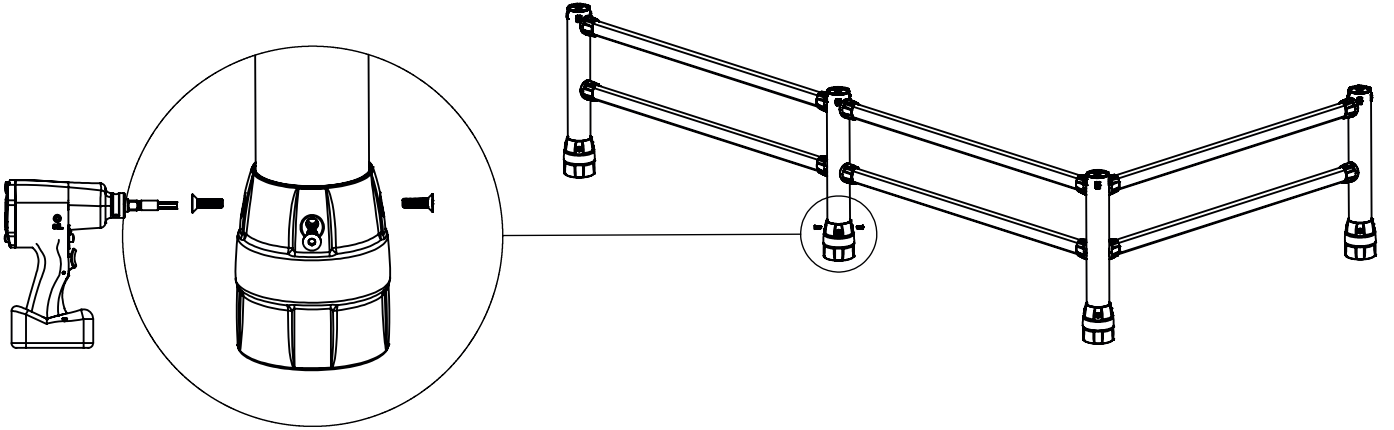
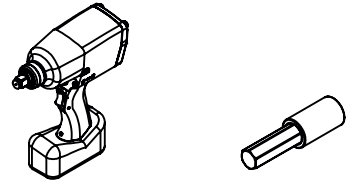
Anchor detail

**Repeat for all base four anchor**

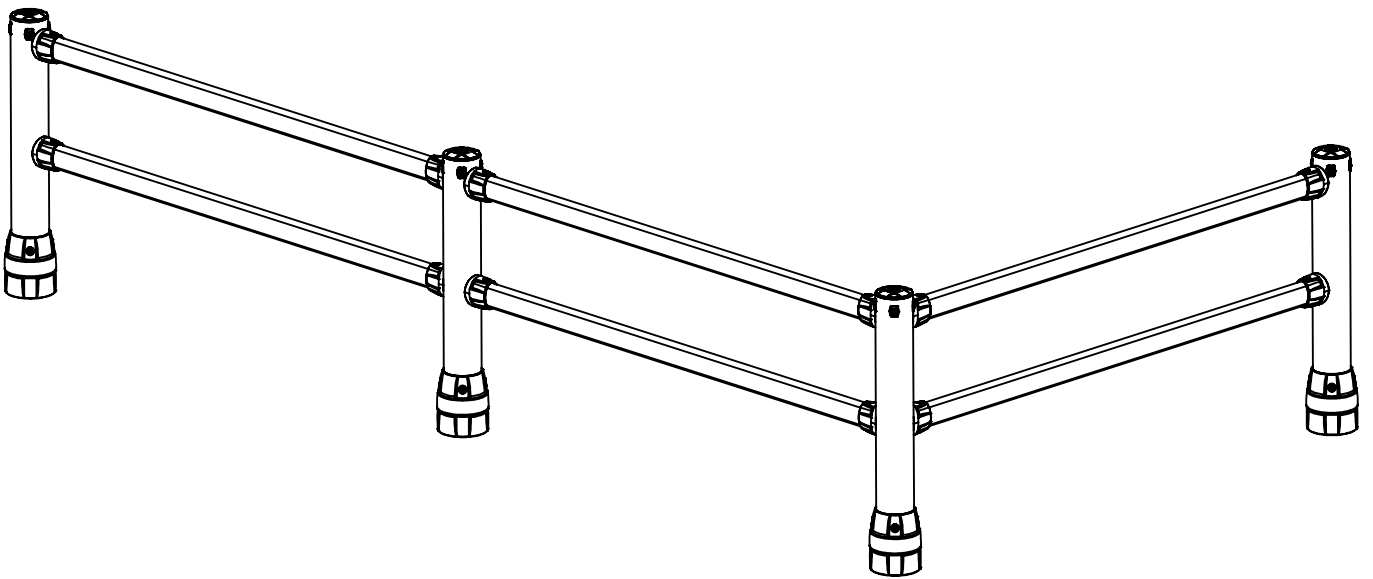
**Step 11**



**Step 12**

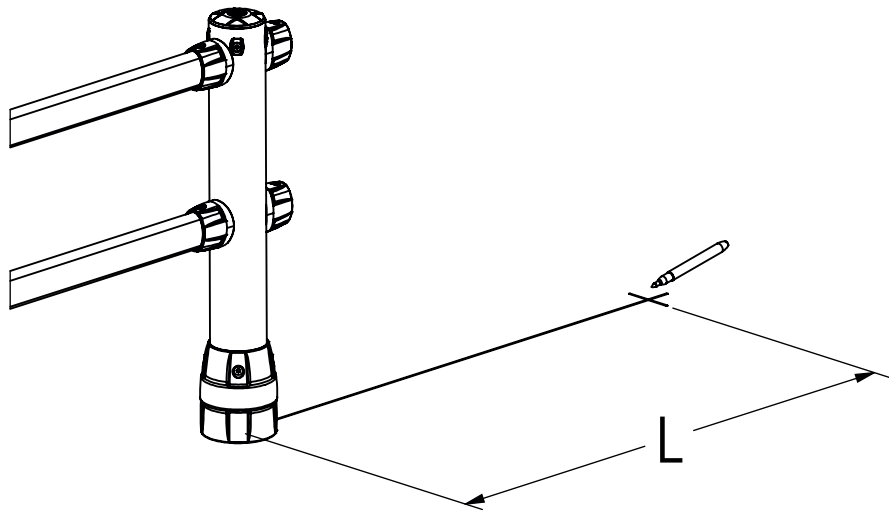


**Installation Complete**

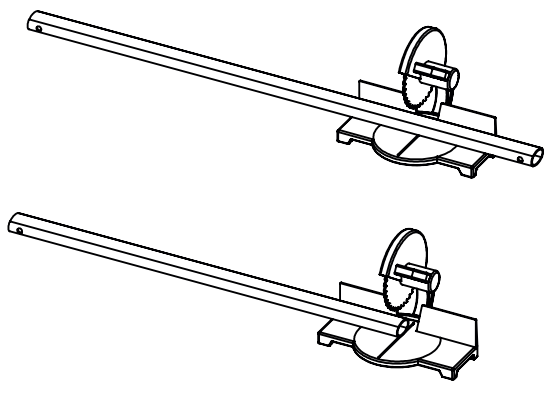
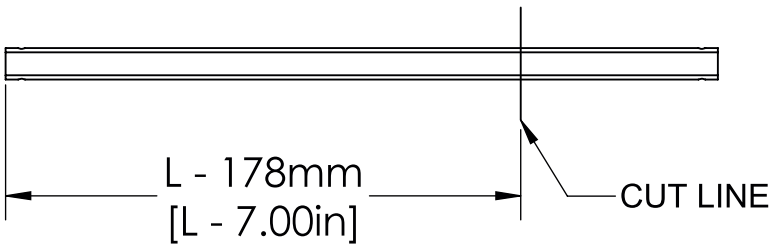
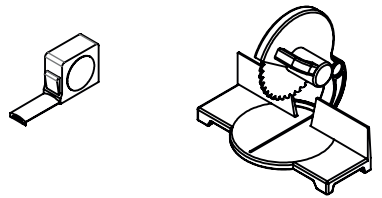


# Appendix A: Custom Length Rails

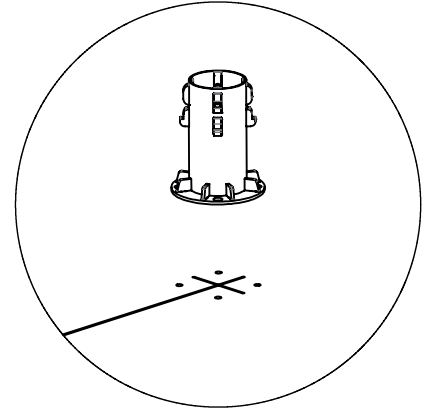
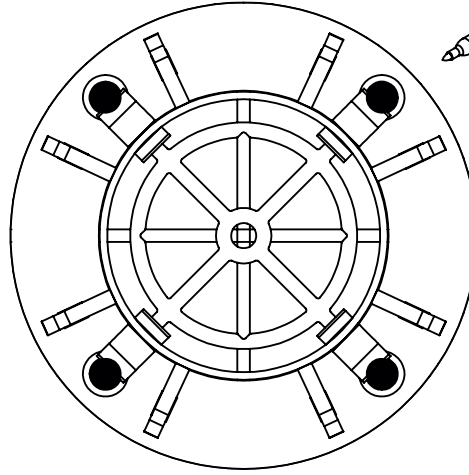
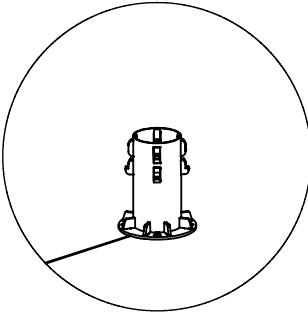
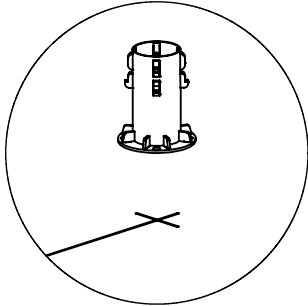
## Step A1



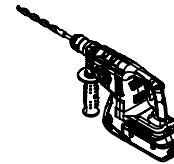
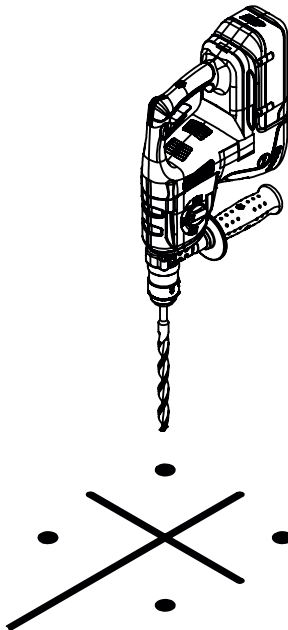
## Step A2



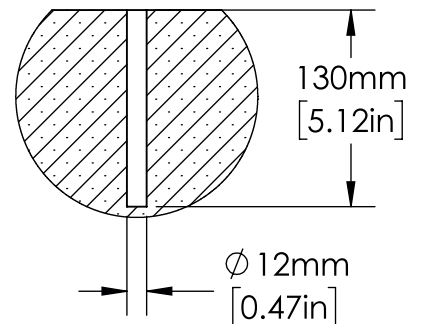
## Step A3



## Step A4

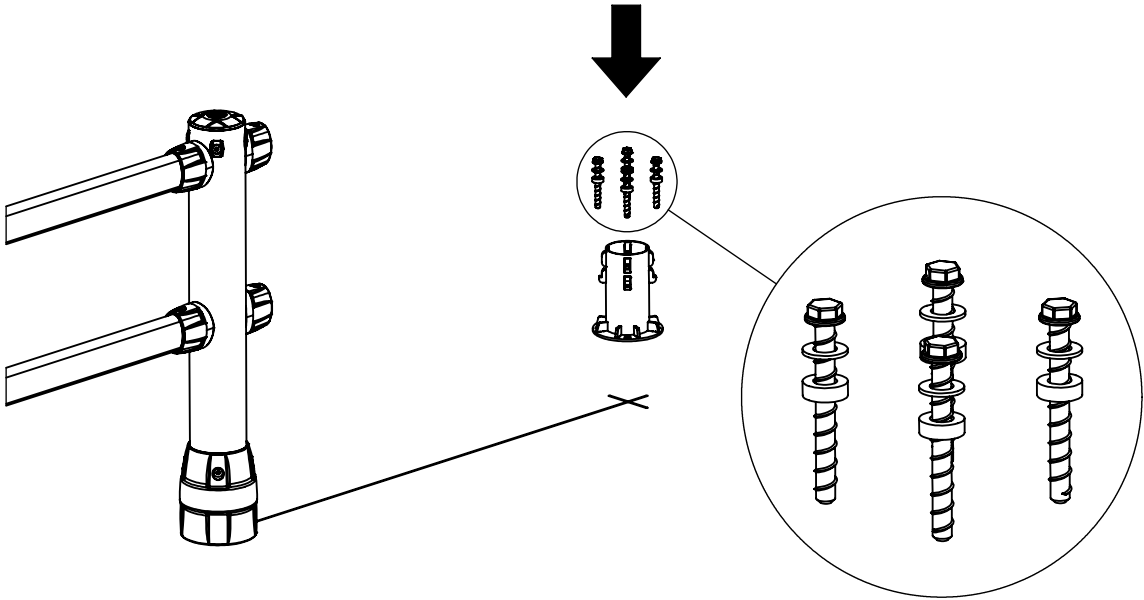
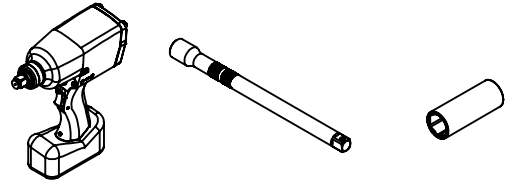


Anchor detail

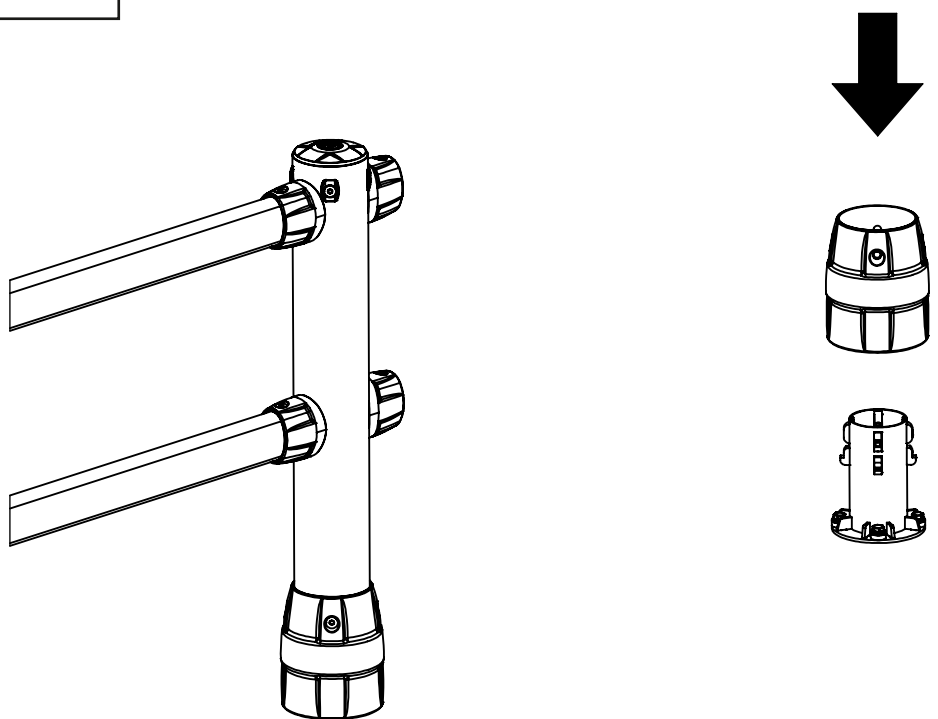


- PPE recommended: High Visibility Vest, Steel Toe Boots, Work Gloves, Ear Protection, Dust Mask, Eye Protection.
- Clean concrete dust by running the vacuum during drilling.

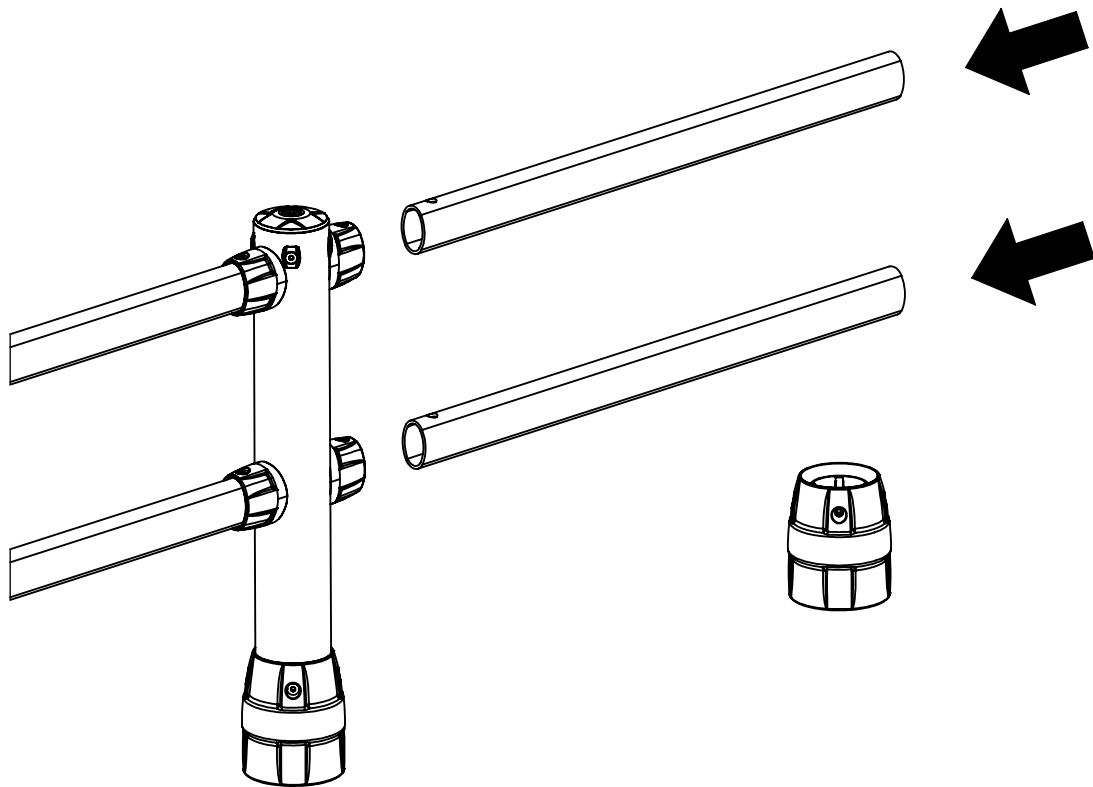
**Step A5**



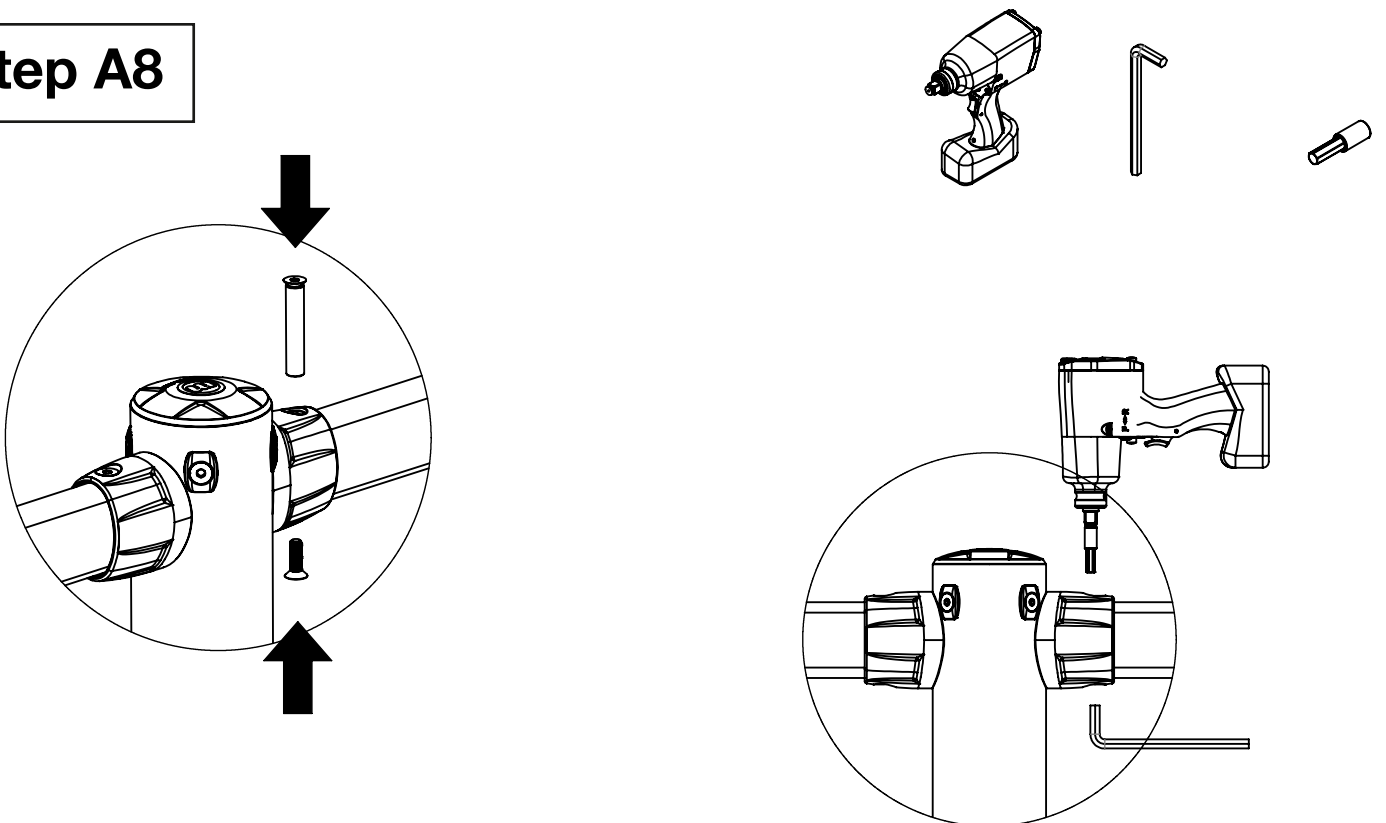
**Step A6**



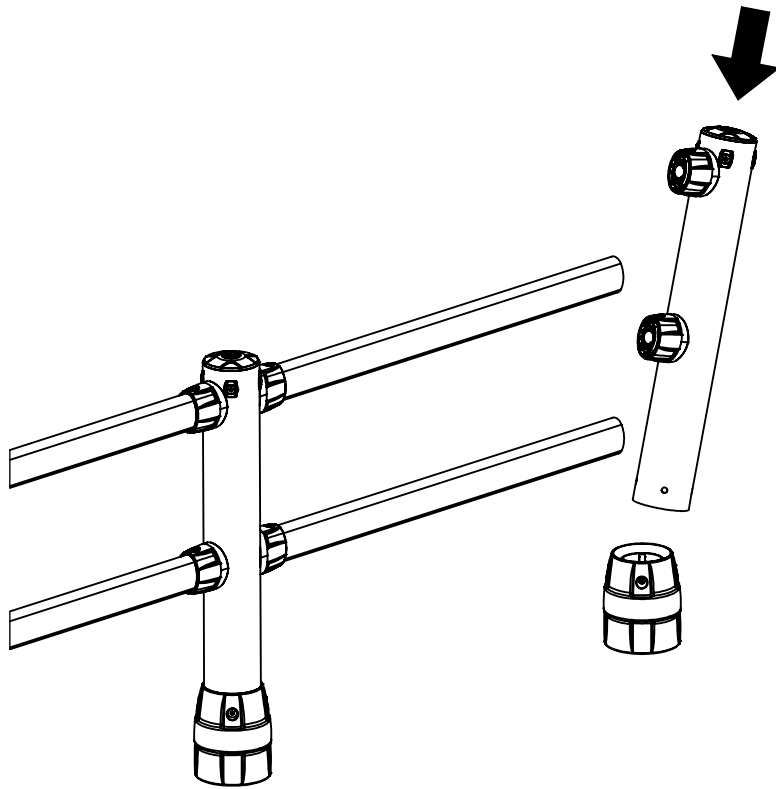
## Step A7



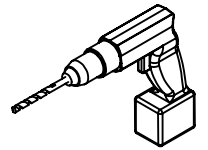
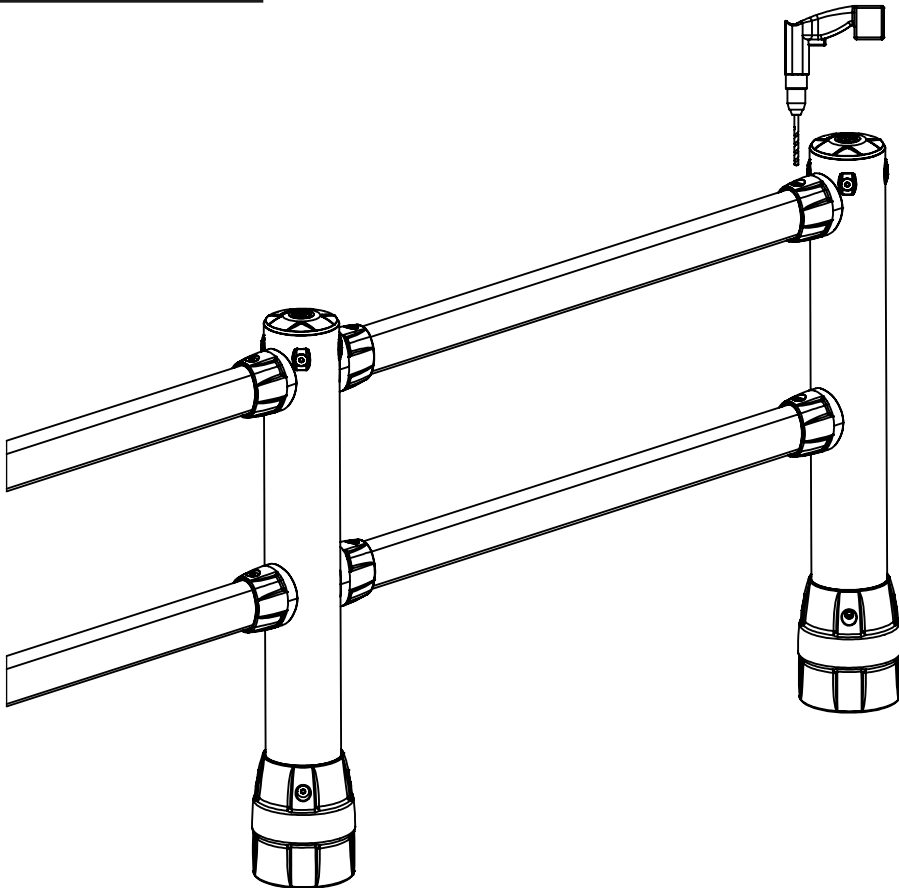
## Step A8



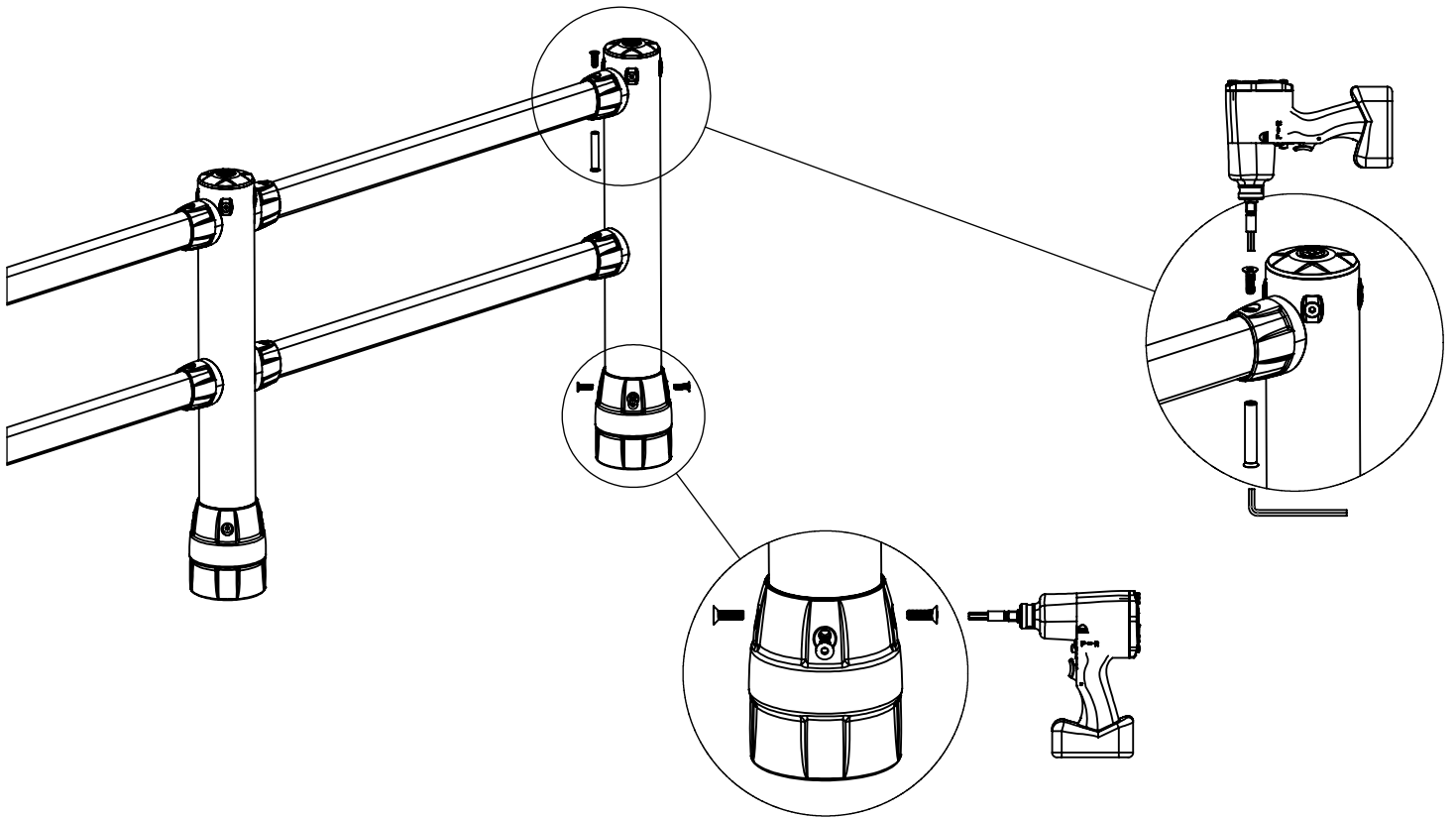
## Step A9



## Step A10



# Step A11



# Installation Complete

