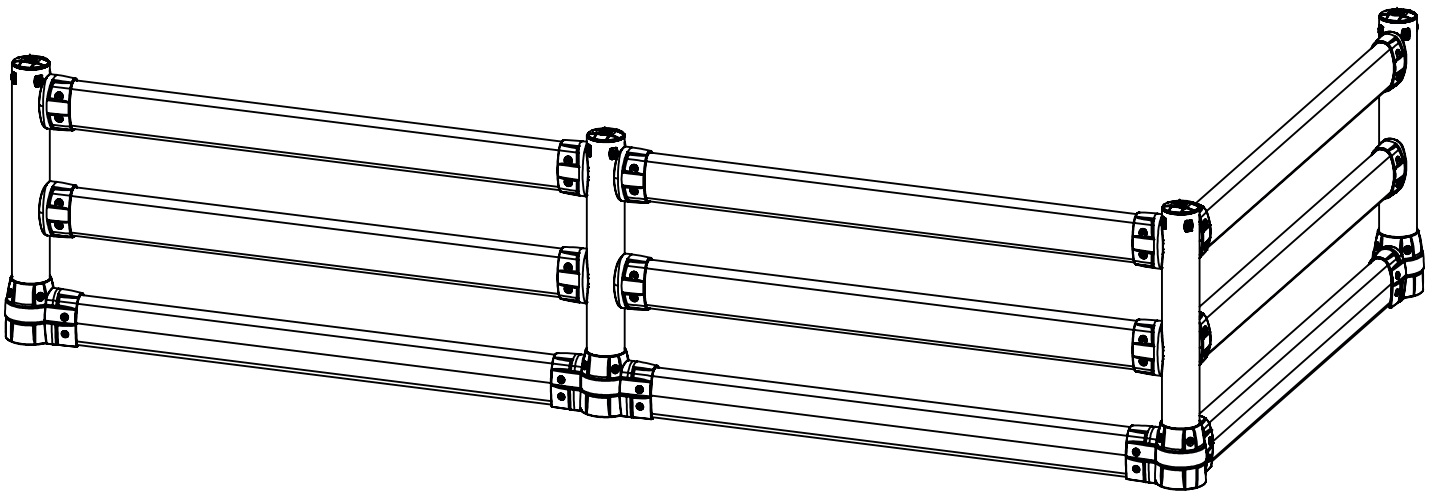
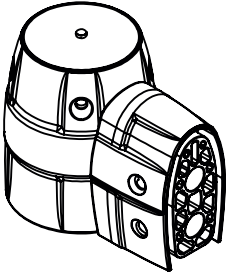


FLEX+ L-Line with Under-run Guard Installations Instructions

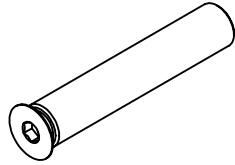


Components

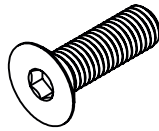
Base start/end incl. fixing materials



QTY: 1



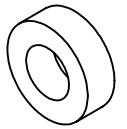
QTY: 2



QTY: 6

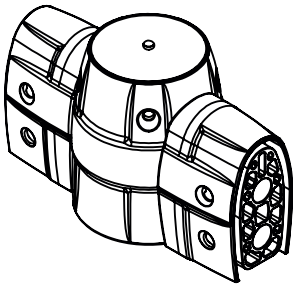


QTY: 4

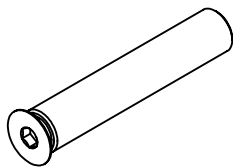


QTY: 4

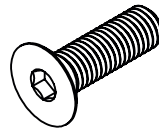
Base centre incl. fixing materials



QTY: 1



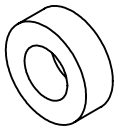
QTY: 4



QTY: 8

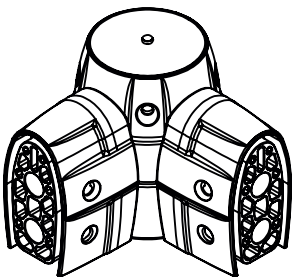


QTY: 4

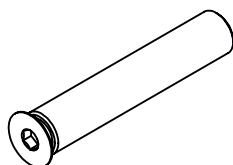


QTY: 4

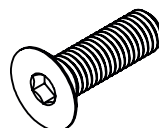
Base corner incl. fixing materials



QTY: 1



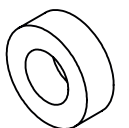
QTY: 4



QTY: 8



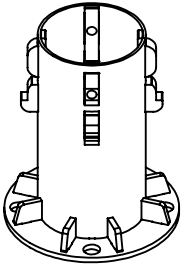
QTY: 4



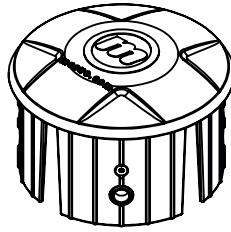
QTY: 4

Components

Base floor anchor



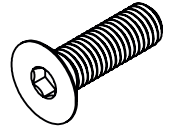
Cover cap incl. fixing materials



QTY: 1

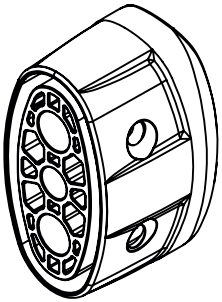


QTY: 4

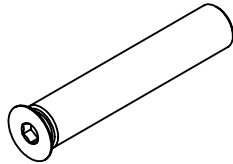


QTY: 4

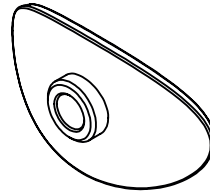
L-Line Connector incl. fixing materials



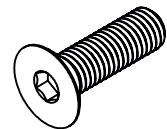
QTY: 1



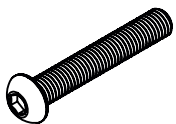
QTY: 2



QTY: 2



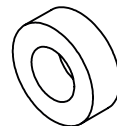
QTY: 2



QTY: 2



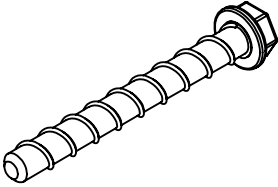
QTY: 2



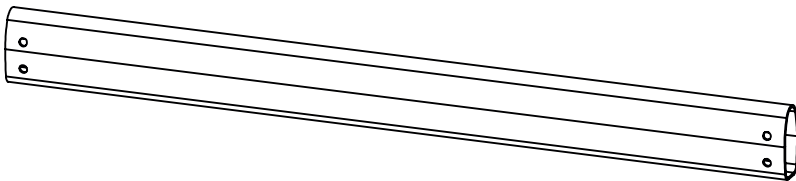
QTY: 2

Components

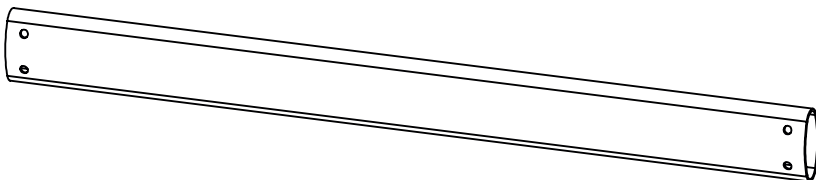
Concrete anchor



Crossbar Under-run Guard



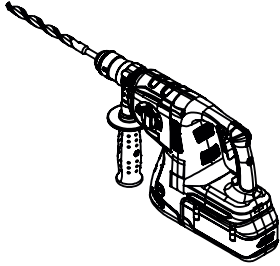
Crossbar L-Line



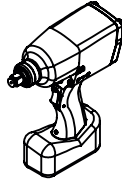
L-Line Post start/end | centre | corner



Required Tools



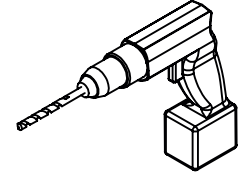
Hammer Drill With
 \varnothing 12mm [1/2in] Masonry Bit



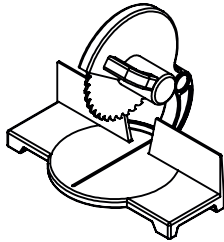
Impact
Driver



Vacuum



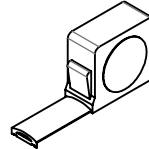
Drill with
 \varnothing 20mm [3/4in] Bit



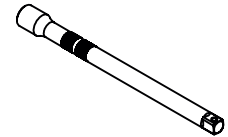
Mitre Saw



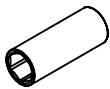
Hex Key
8mm [5/16in]



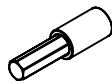
Measuring Tape



Socket Extender



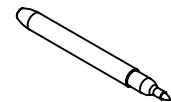
Hex Socket
17mm [3/4in]



Hex Bit
8mm [5/16in]



Chalk Line

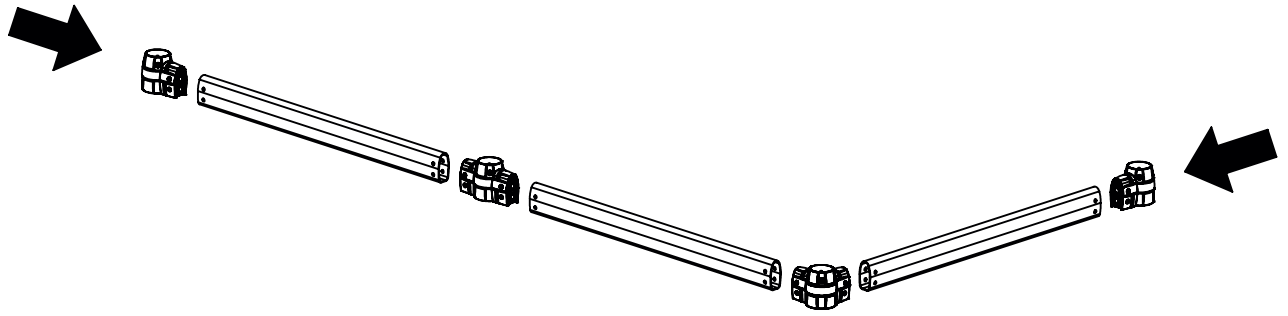


Marker

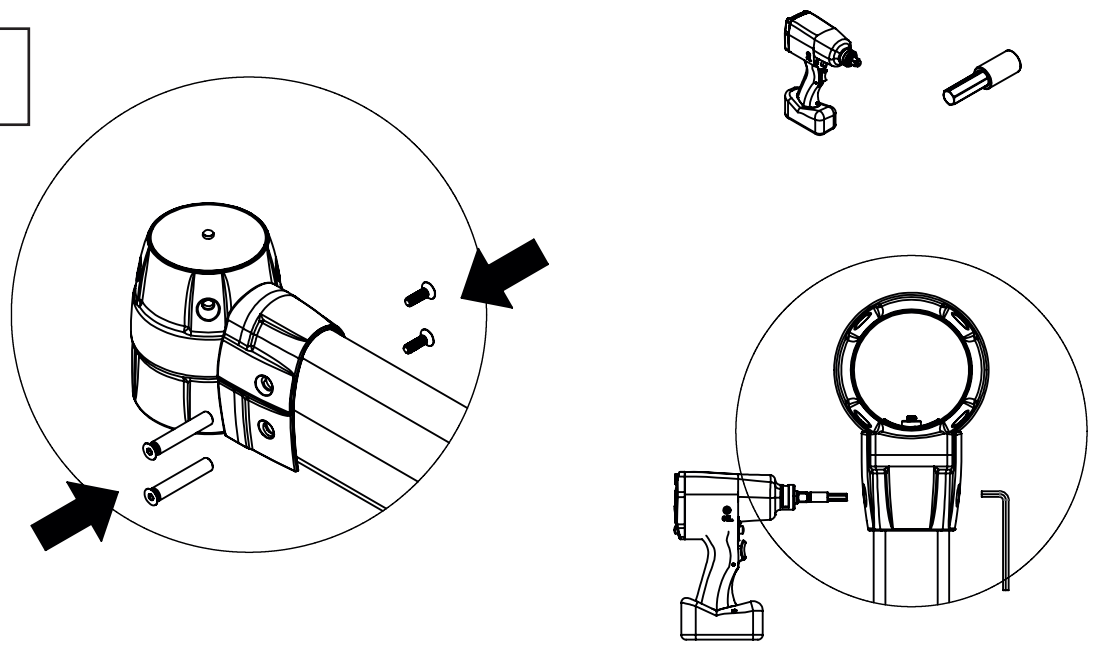


PPE recommended: High Visibility Vest, Steel Toe Boots, Work Gloves, Ear Protection, Dust Mask, Eye Protection.

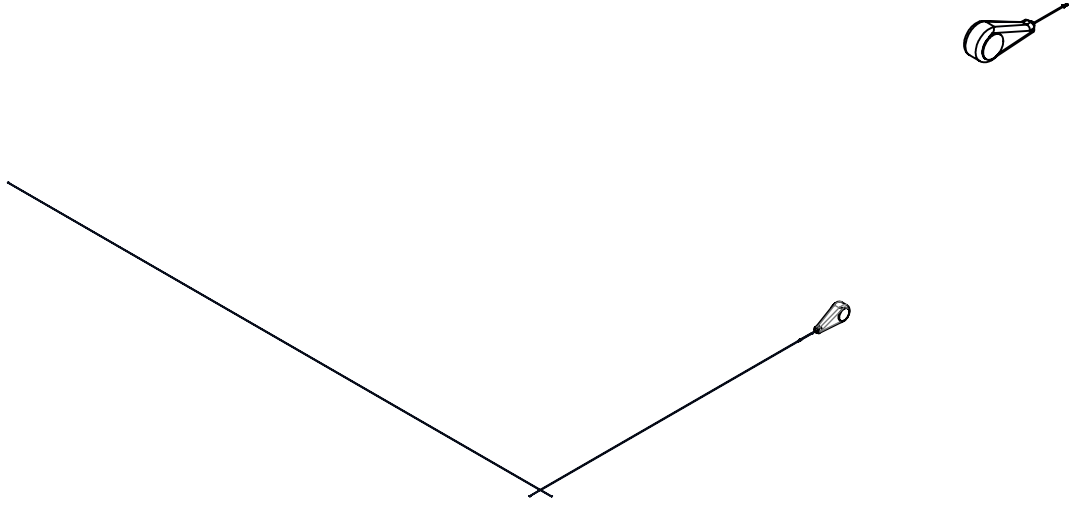
Step 1



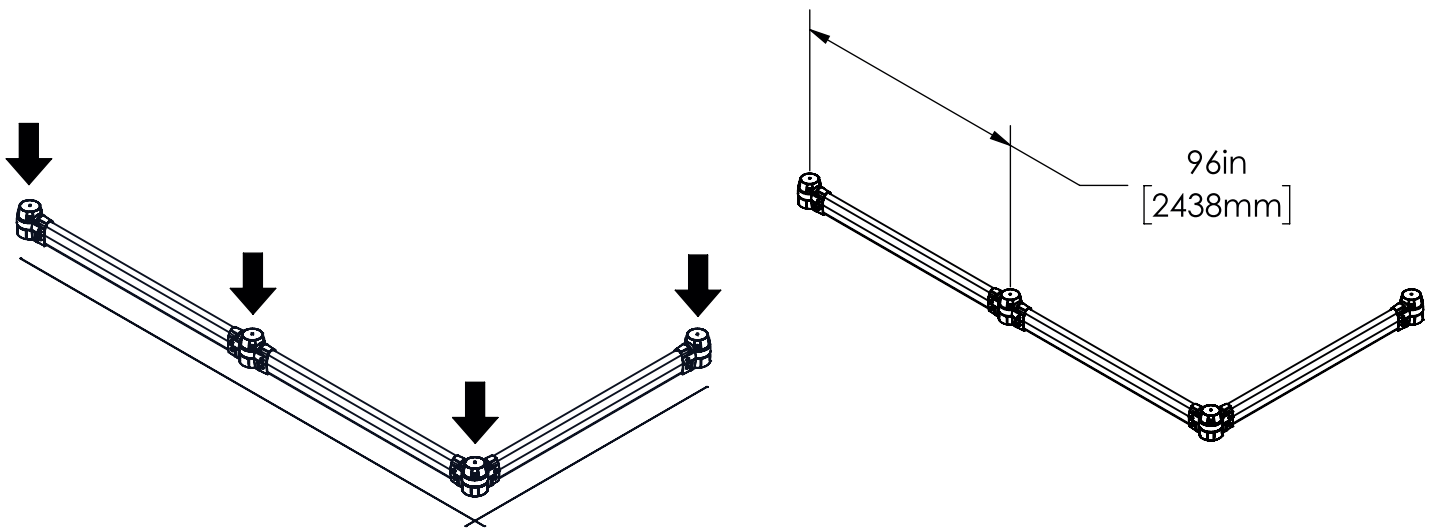
Step 2



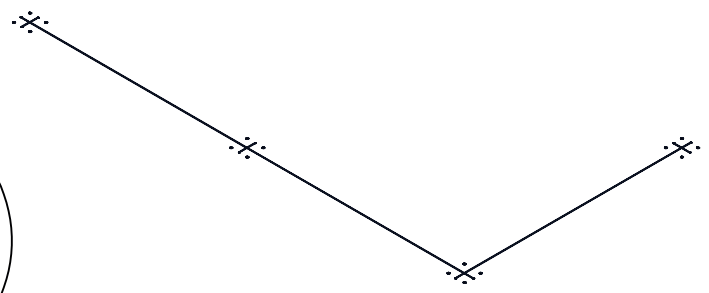
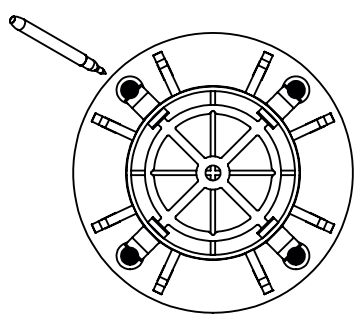
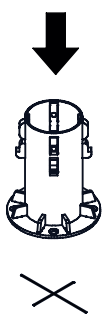
Step 3



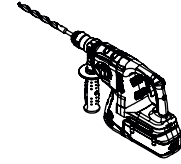
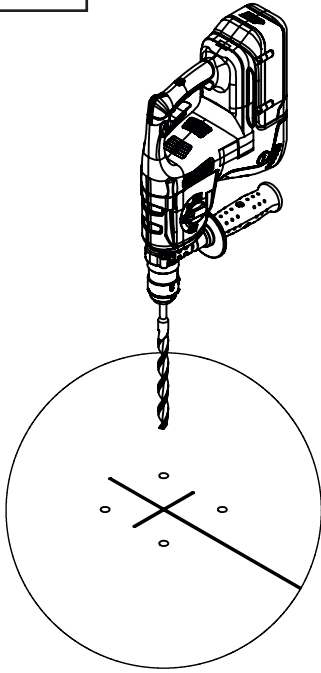
Step 4



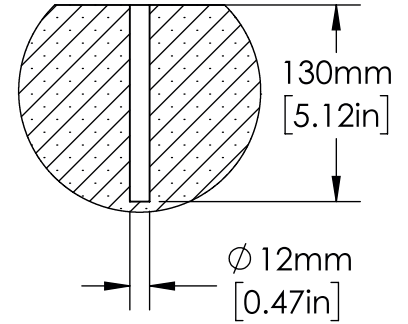
Step 5



Step 6

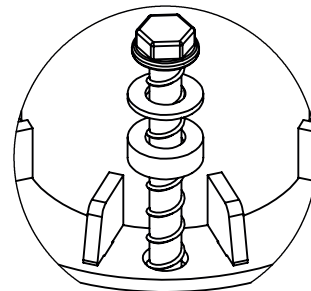
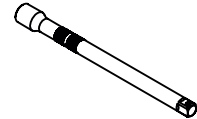
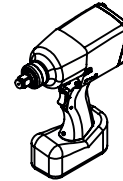
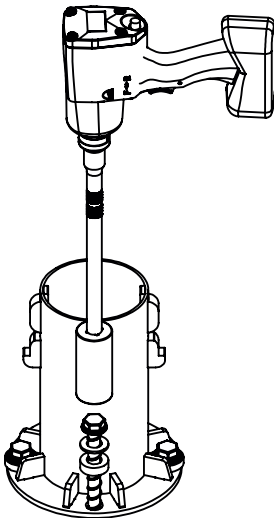


Anchor detail



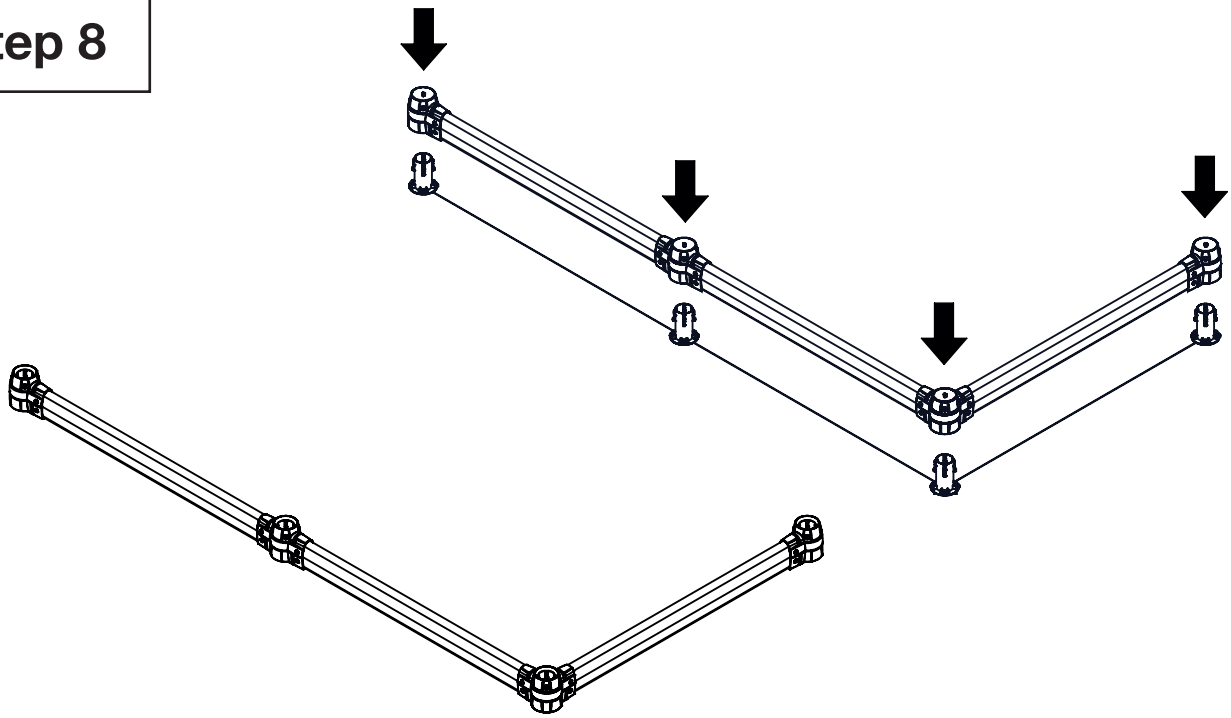
- PPE recommended: High Visibility Vest, Steel Toe Boots, Work Gloves, Ear Protection, Dust Mask, Eye Protection.
- Clean concrete dust by running the vacuum during drilling.

Step 7

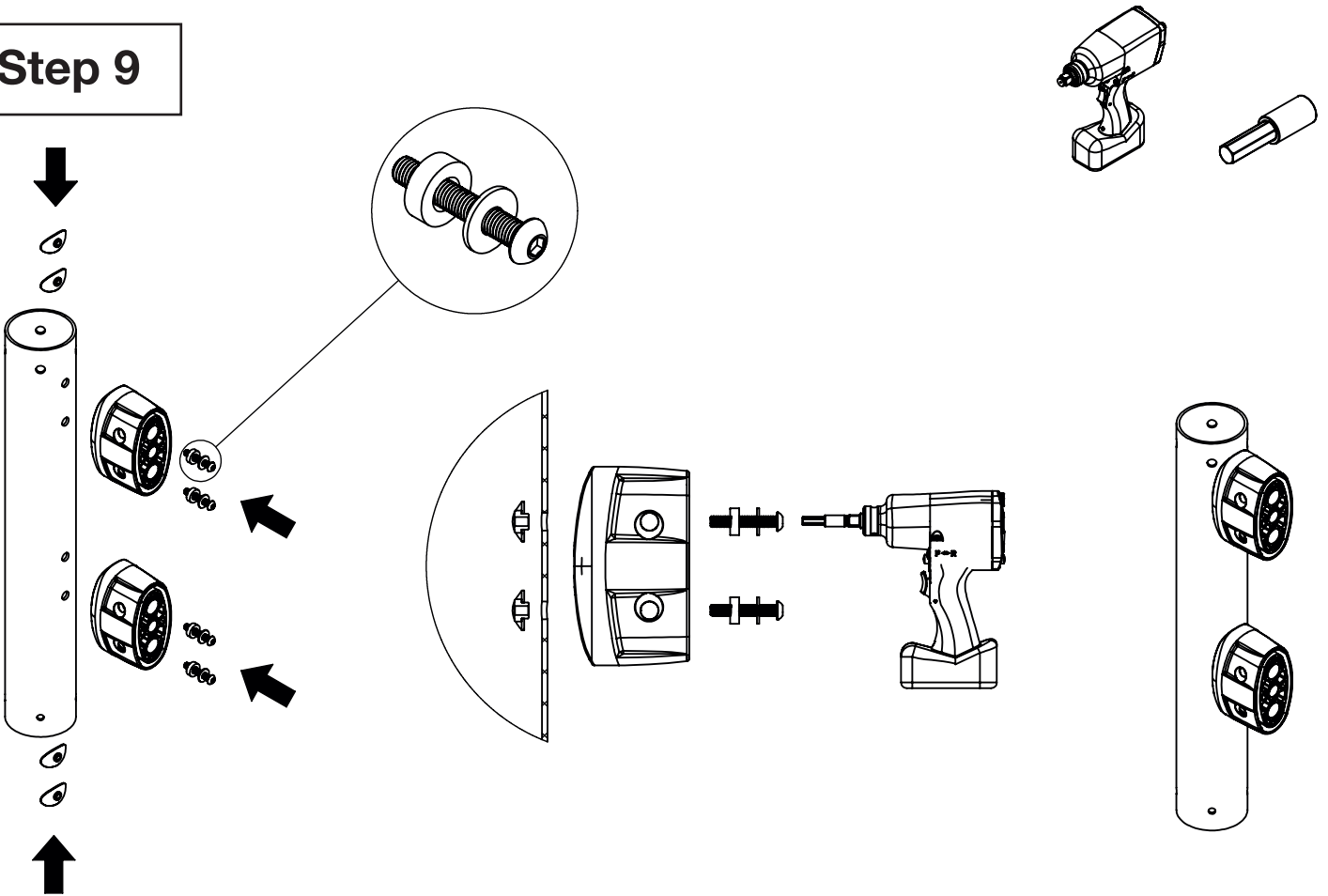


Anchor detail

Step 8

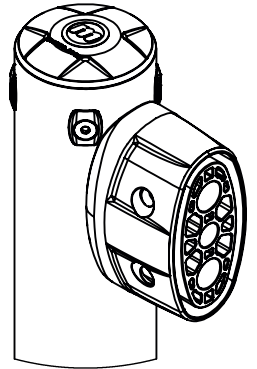
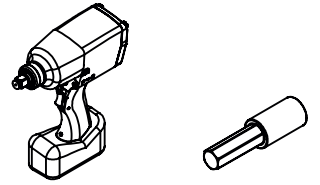
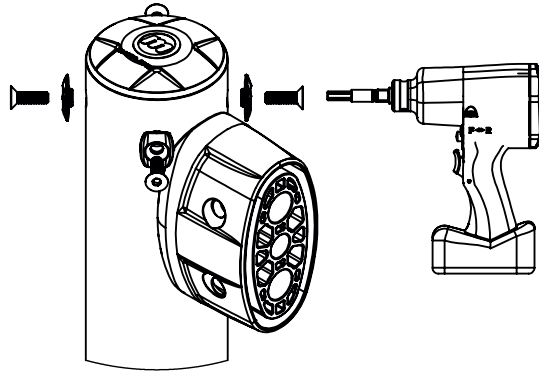
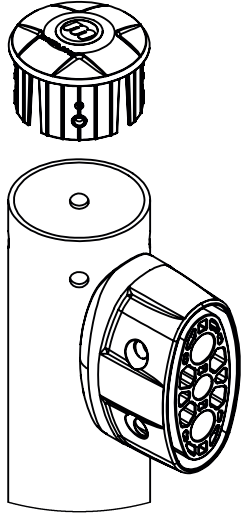
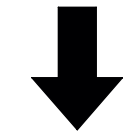


Step 9



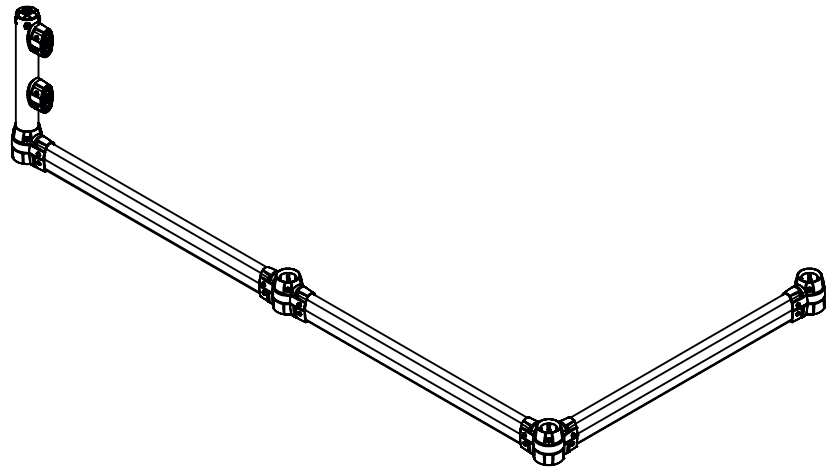
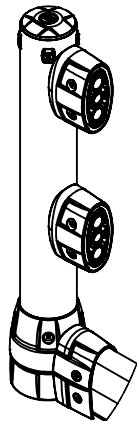
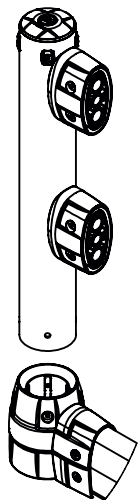
REPEAT FOR ALL POSTS

Step 10

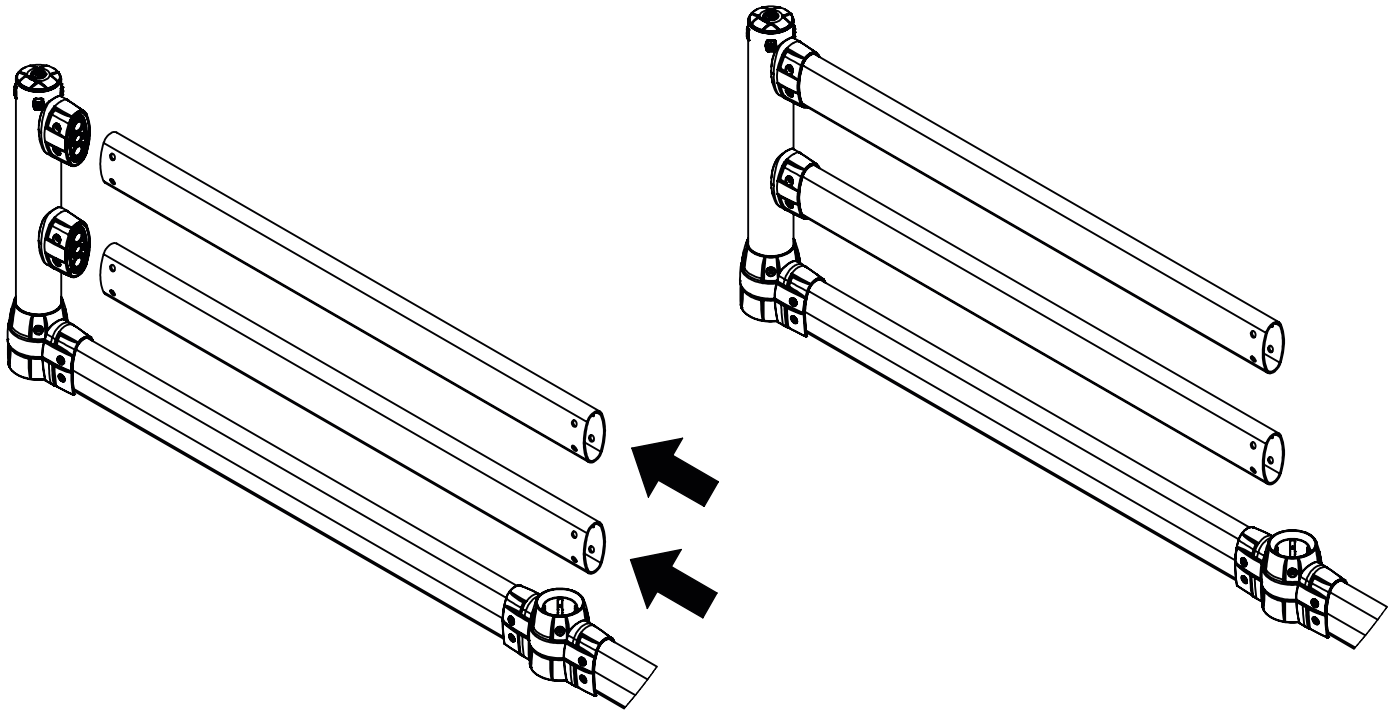


REPEAT FOR ALL POSTS

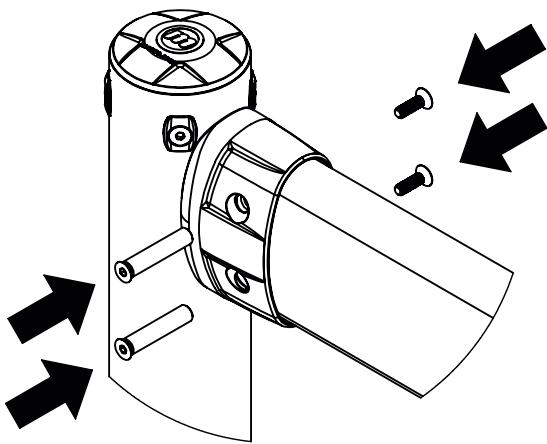
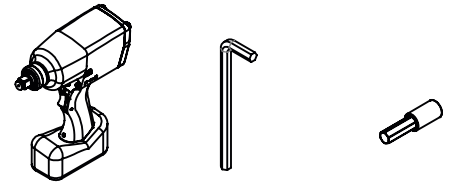
Step 11



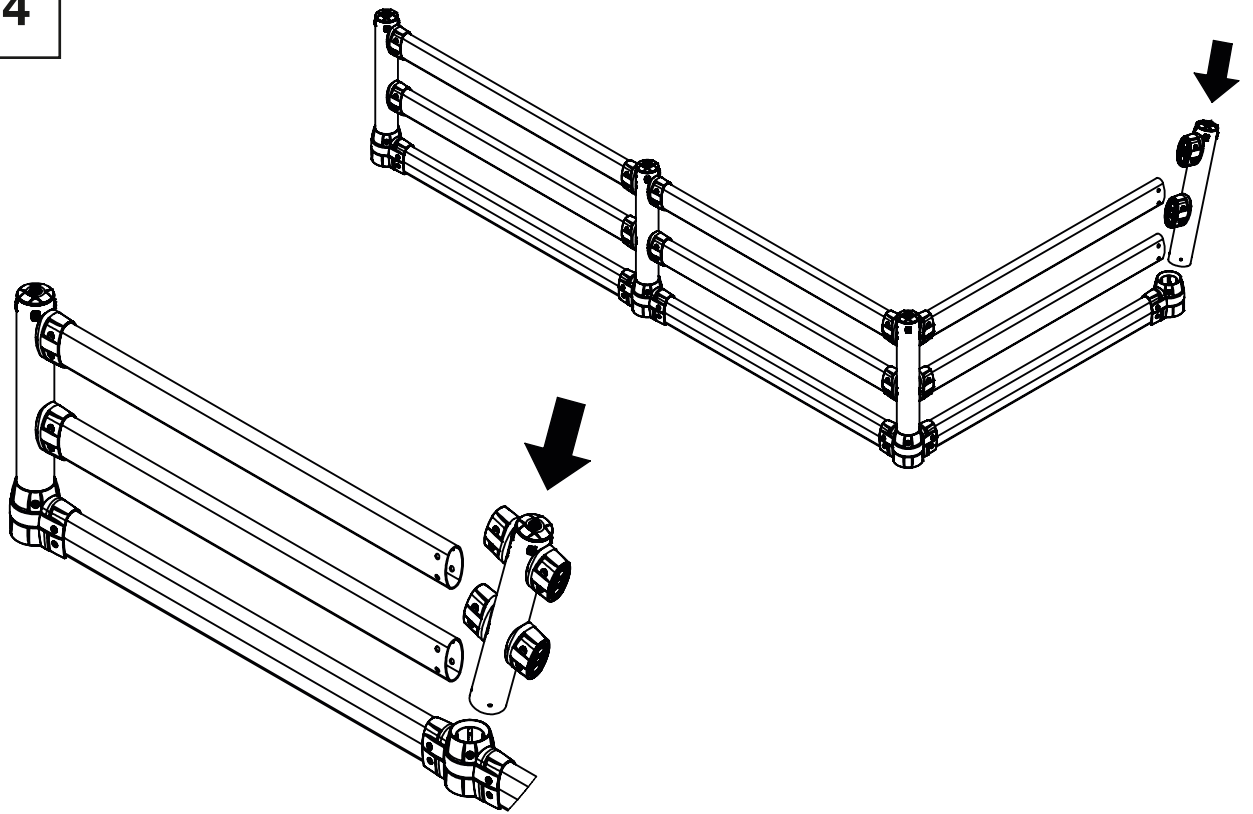
Step 12



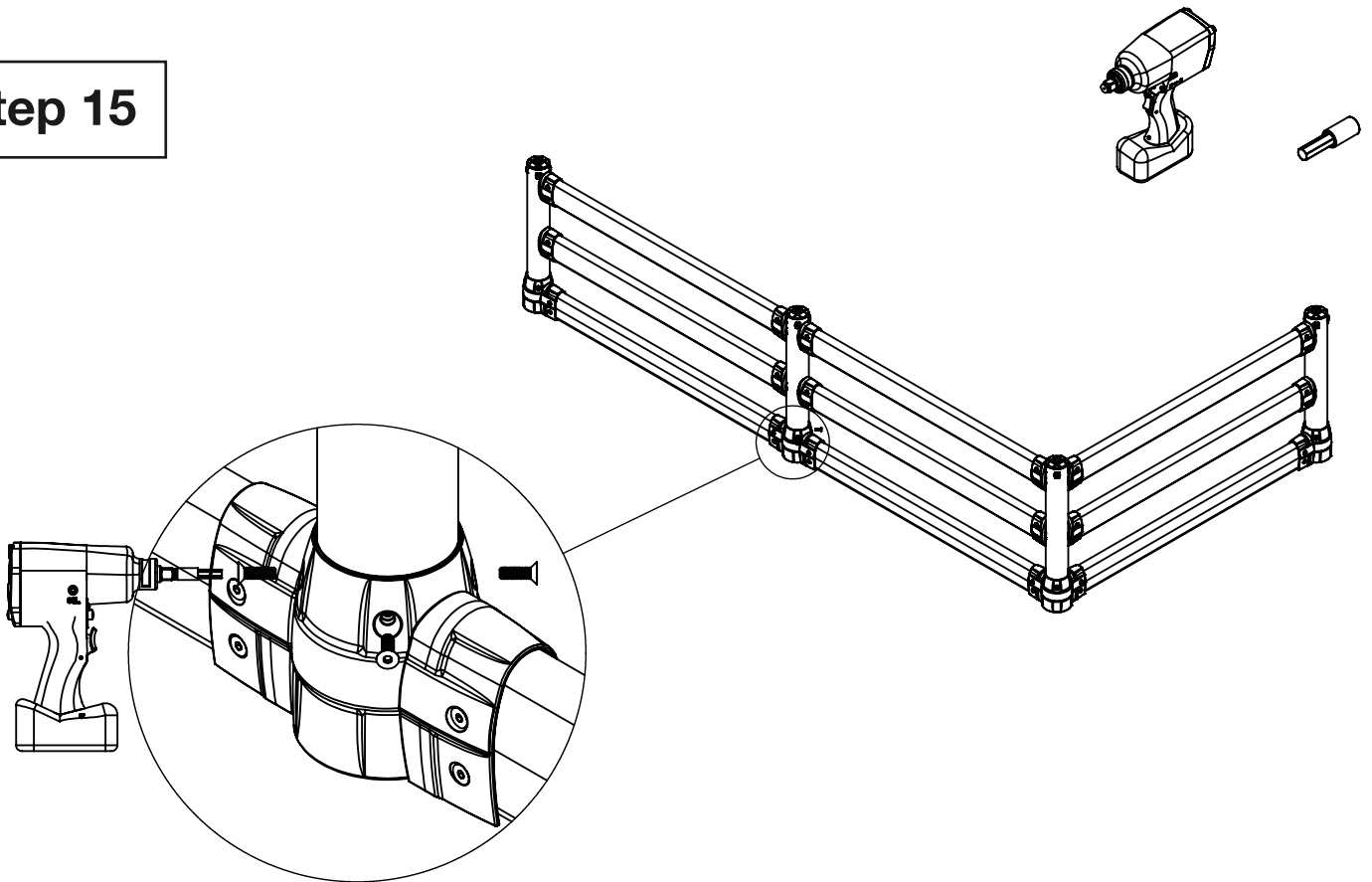
Step 13



Step 14



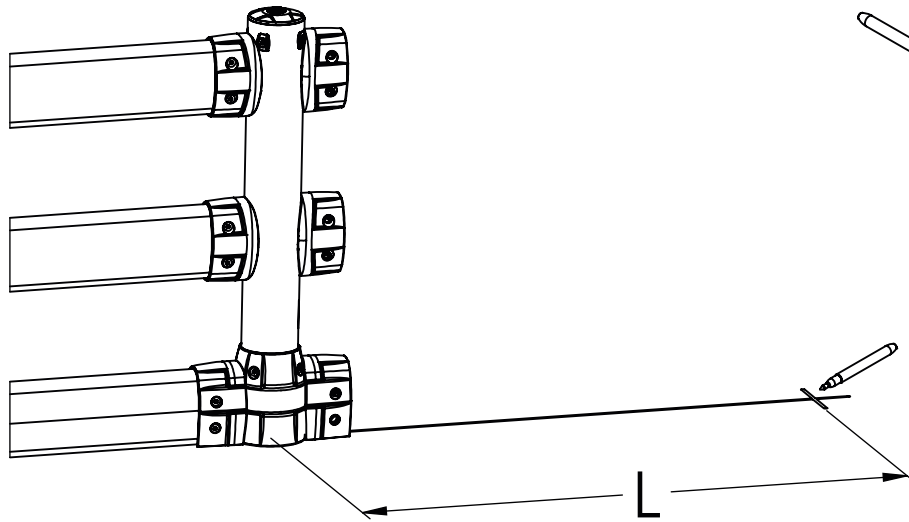
Step 15



REPEAT FOR ALL POSTS

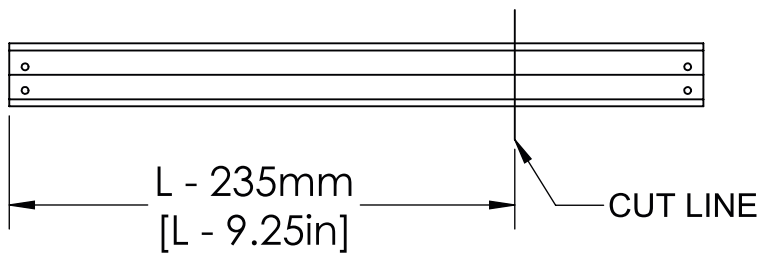
Appendix A: Custom Length Rails

Step A1

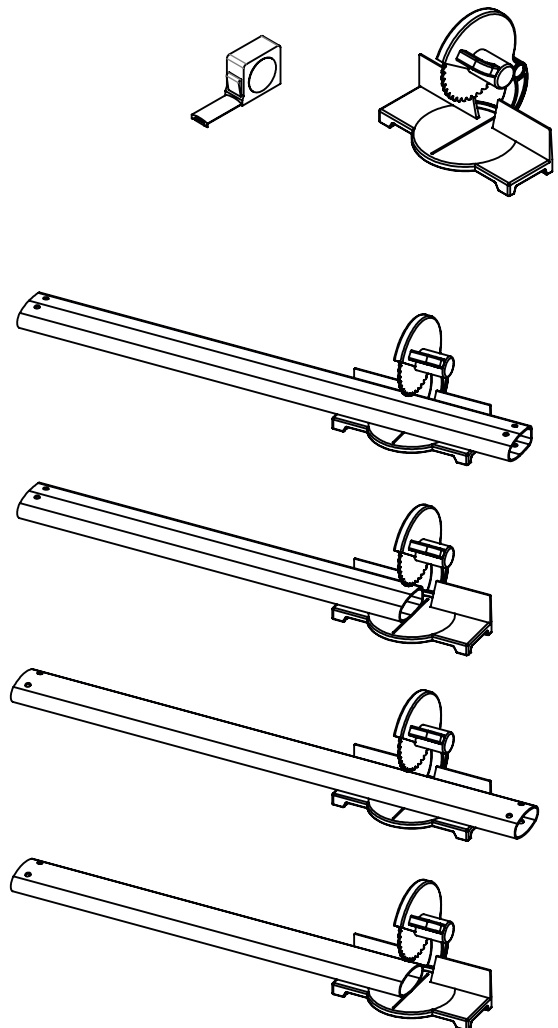
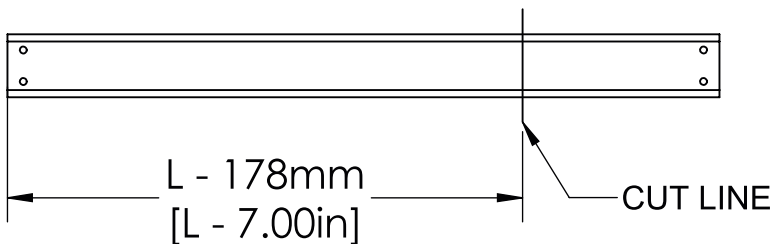


Step A2

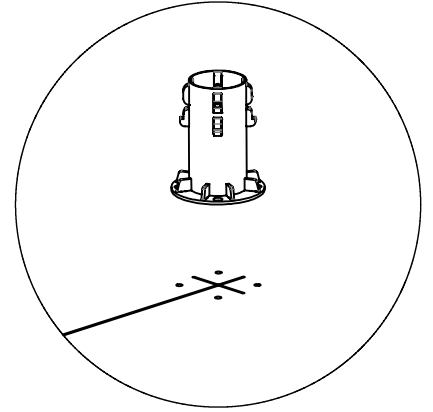
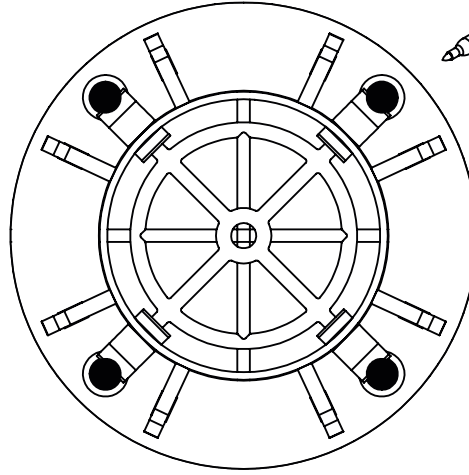
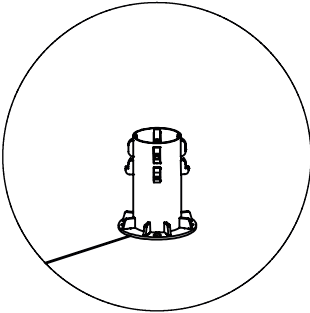
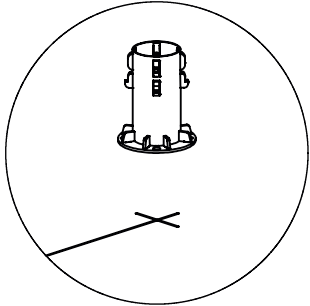
Crossbar Under-run Guard



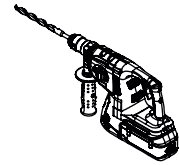
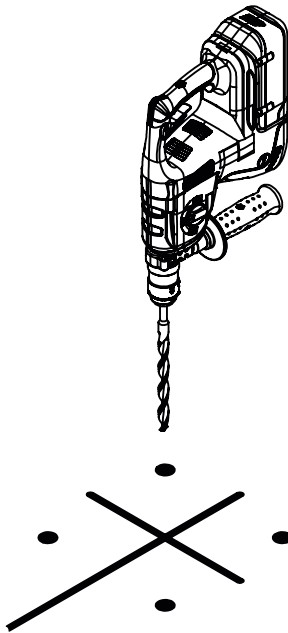
Crossbar L-Line



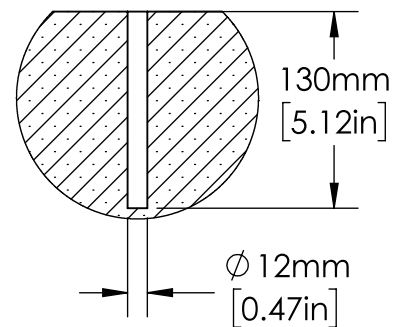
Step A3



Step A4

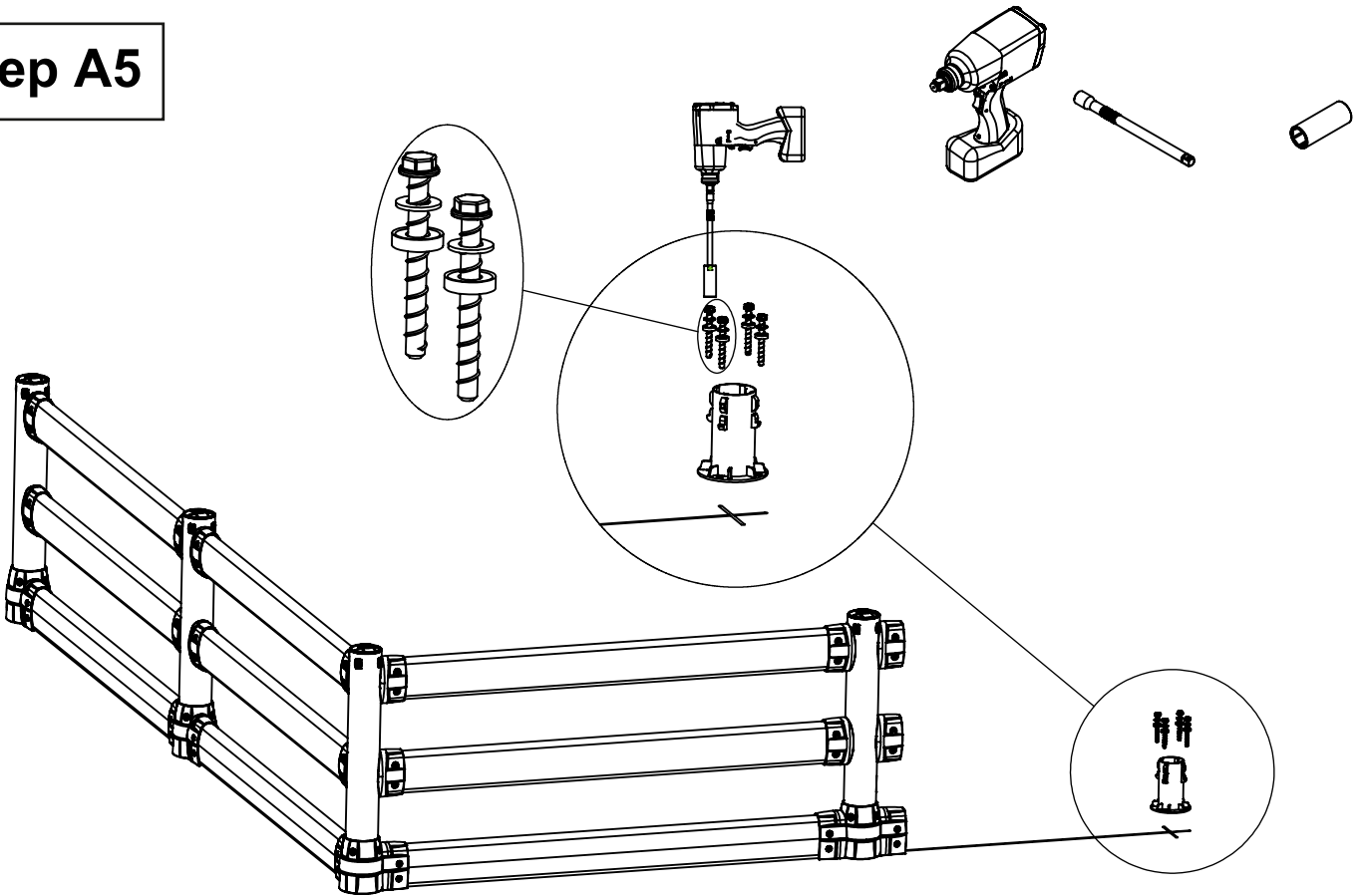


Anchor detail

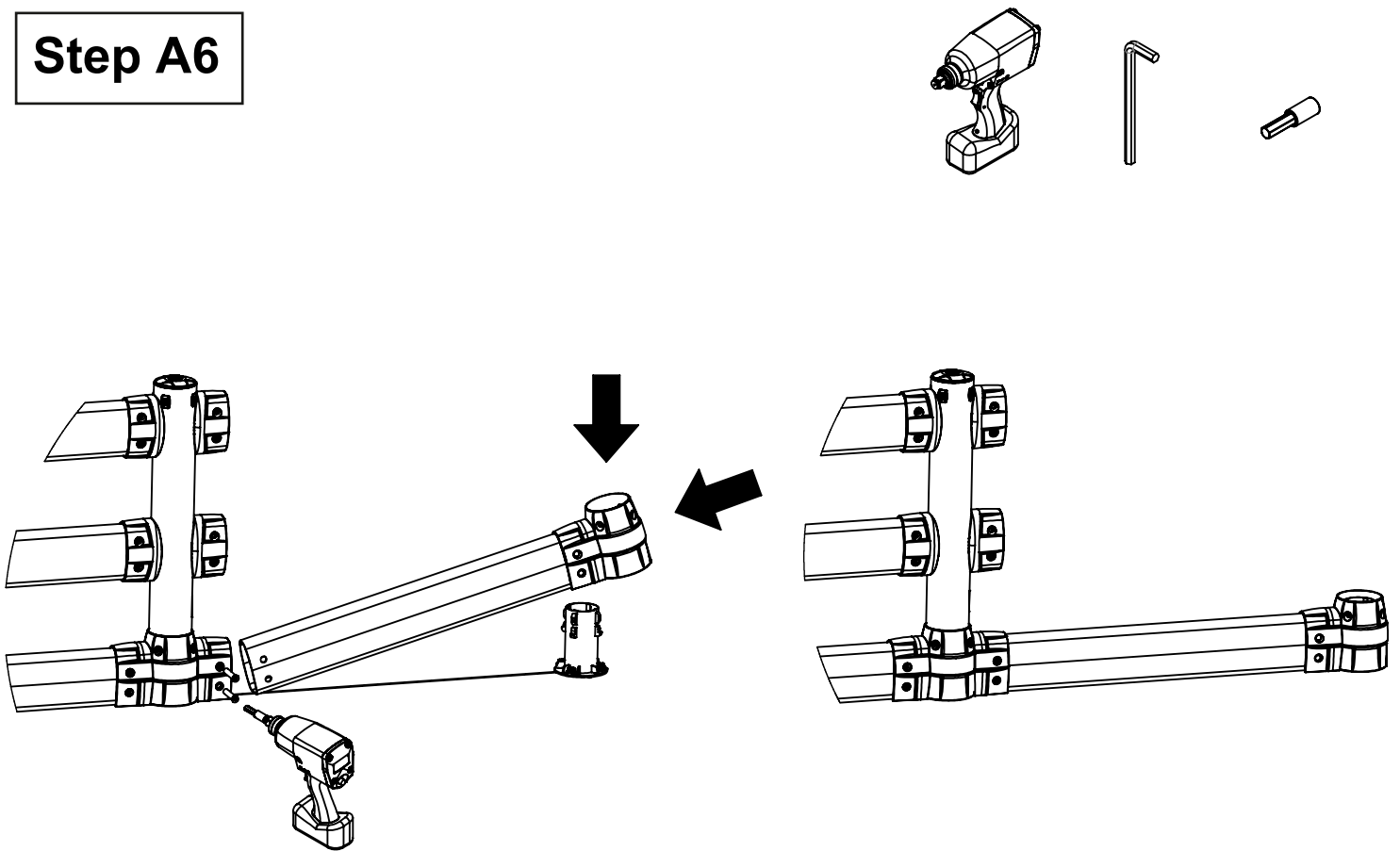


- PPE recommended: High Visibility Vest, Steel Toe Boots, Work Gloves, Ear Protection, Dust Mask, Eye Protection.
- Clean concrete dust by running the vacuum during drilling.

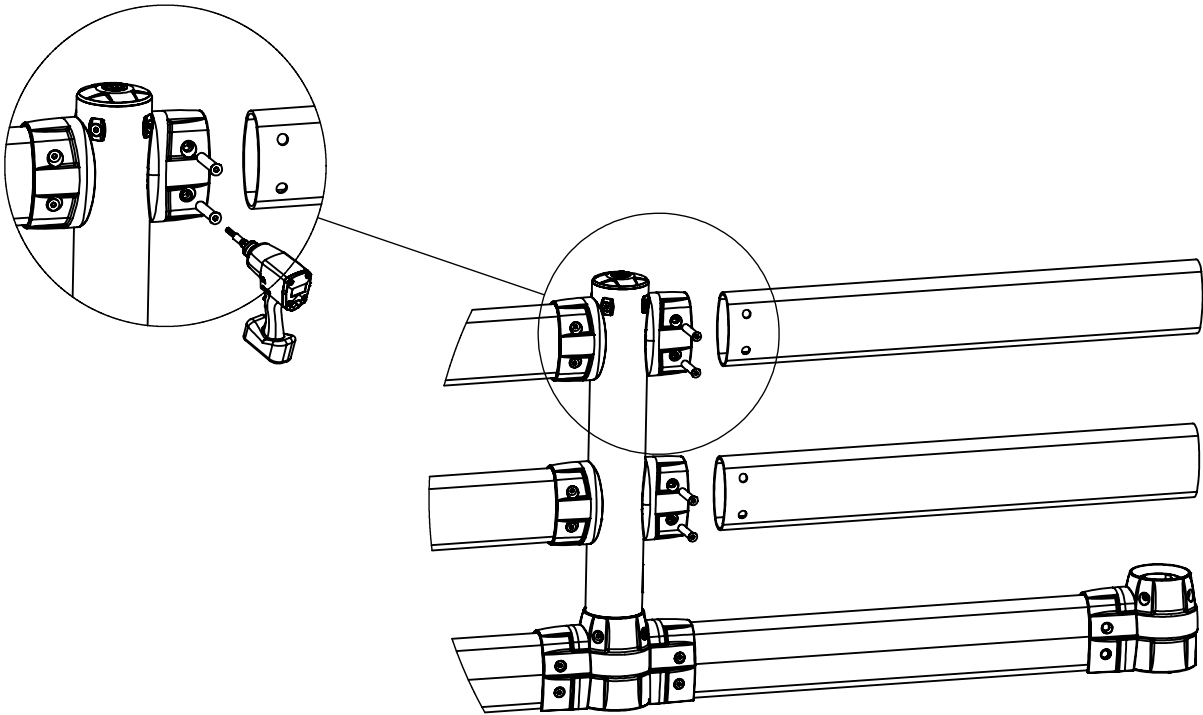
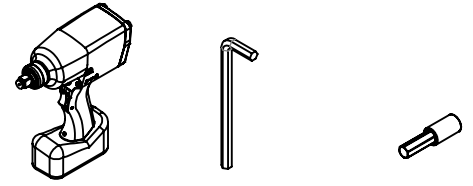
Step A5



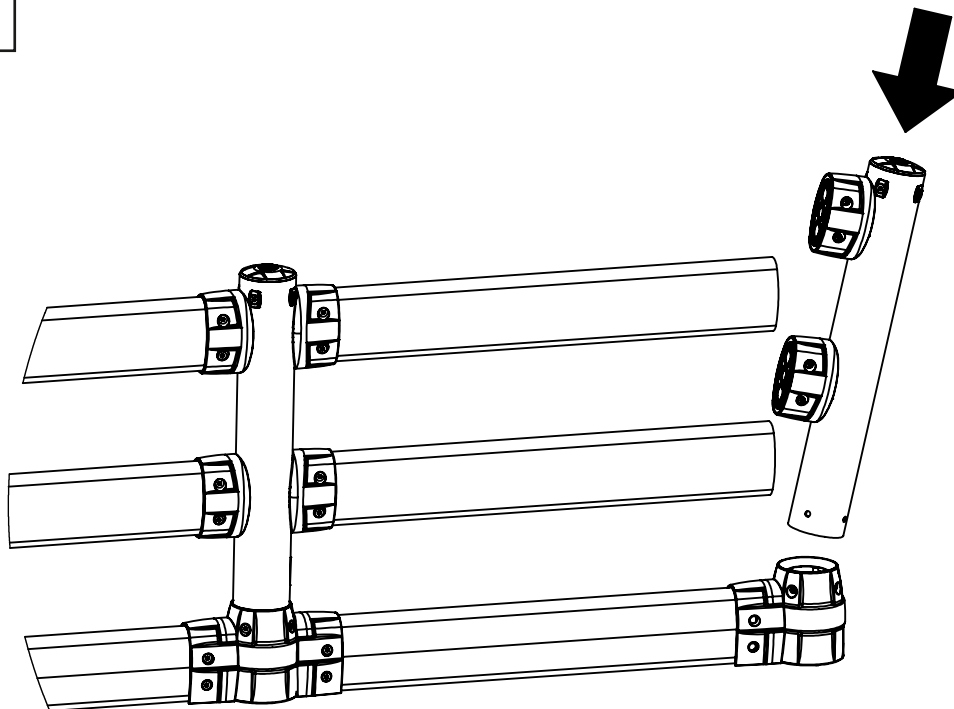
Step A6



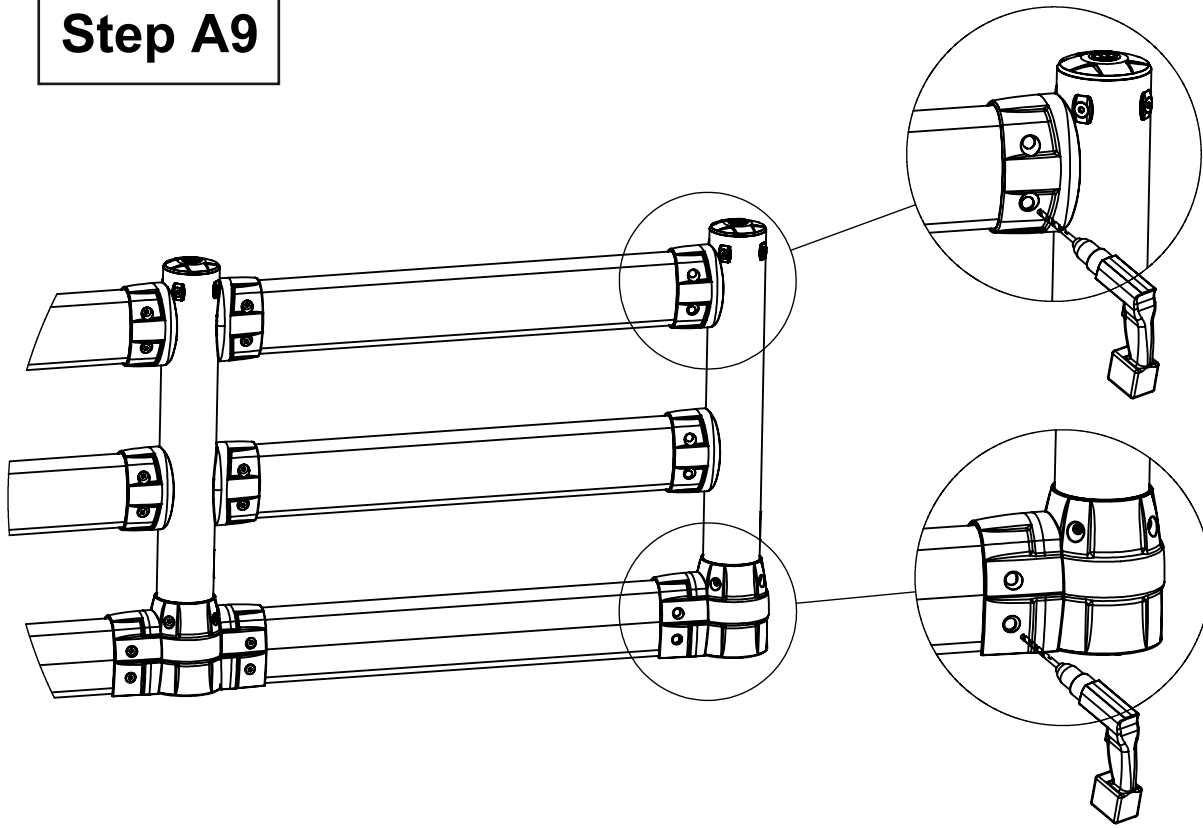
Step A7



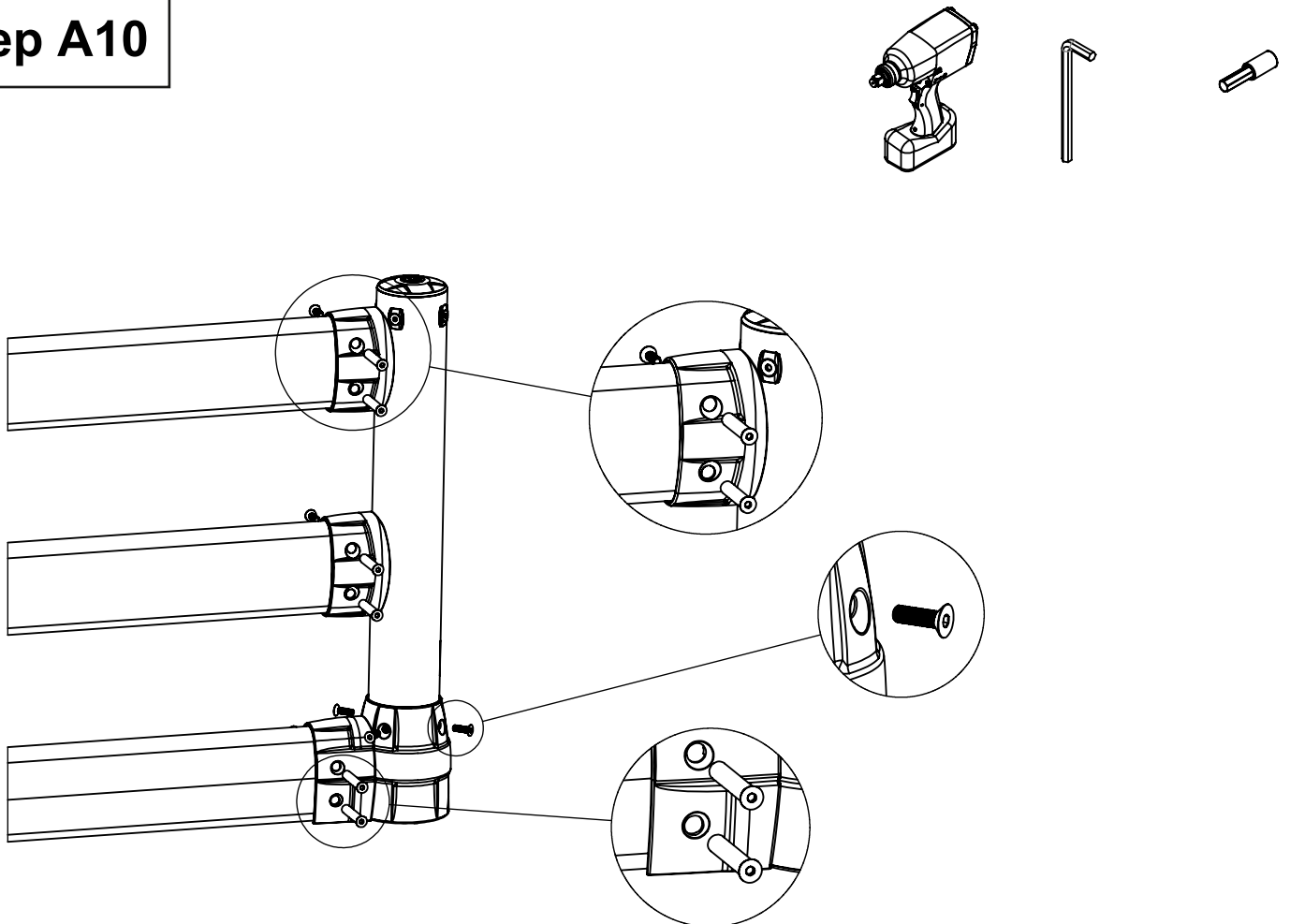
Step A8



Step A9



Step A10



Installation Complete

