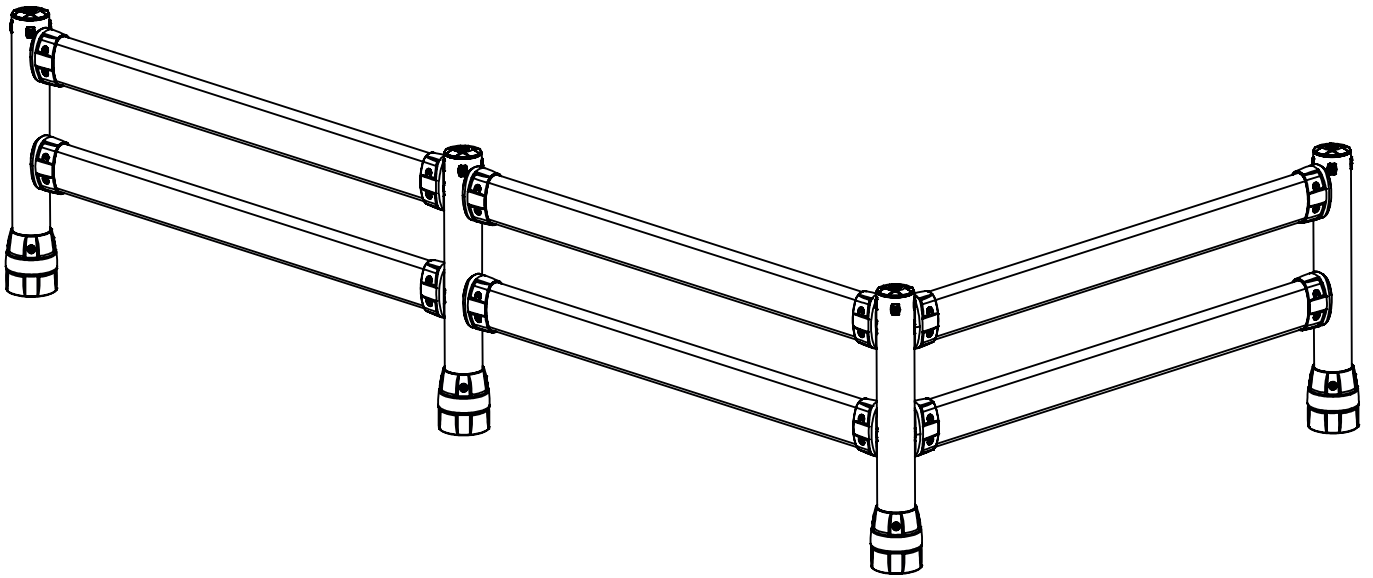
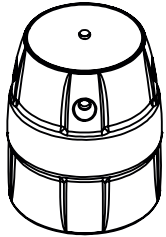


FLEX+ L-Line Installations Instructions

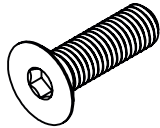


Components

Base start/end incl. fixing materials



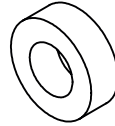
QTY: 1



QTY: 4

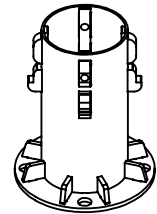


QTY: 4



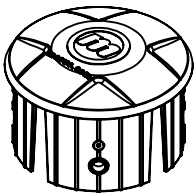
QTY: 4

Base floor anchor



QTY: 1

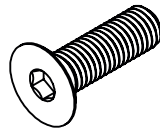
Cover cap incl. fixing materials



QTY: 1

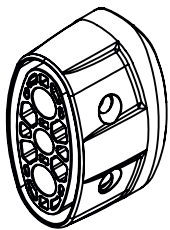


QTY: 4

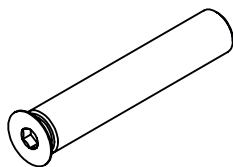


QTY: 4

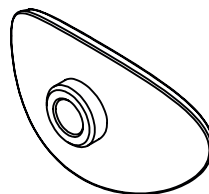
Connector crossbar L-Line incl. fixing material



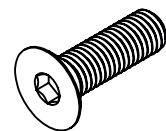
QTY: 1



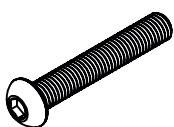
QTY: 2



QTY: 2



QTY: 2



QTY: 2



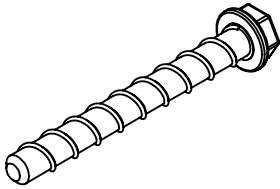
QTY: 2



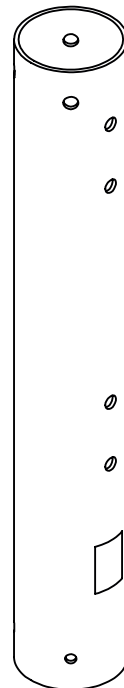
QTY: 2

Components

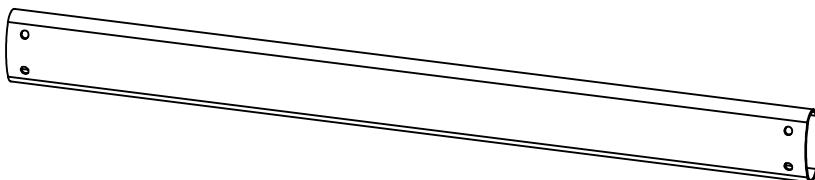
Concrete anchor



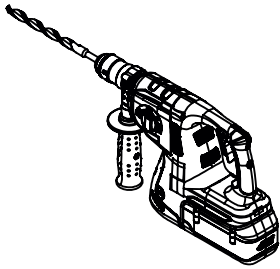
Post L-Line start/end | centre | corner



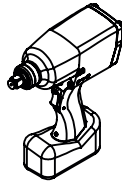
Crossbar L-Line



Required Tools



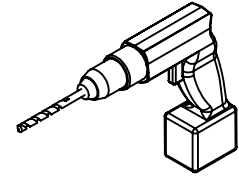
Hammer Drill With
 \varnothing 12mm or \varnothing 1/2in
Masonry Bit



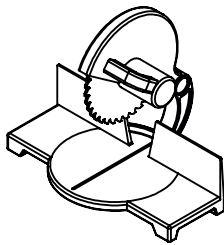
Impact
Driver



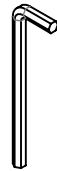
Vacuum



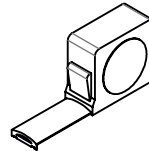
Drill with
 \varnothing 20mm [3/4in] Bit



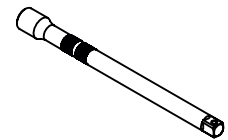
Mitre Saw



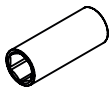
Hex Key
8mm [5/16in]



Measuring Tape



Socket Extender



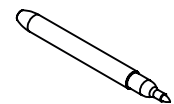
Hex Socket
17mm [3/4in]



Hex Bit
8mm [5/16in]



Chalk Line

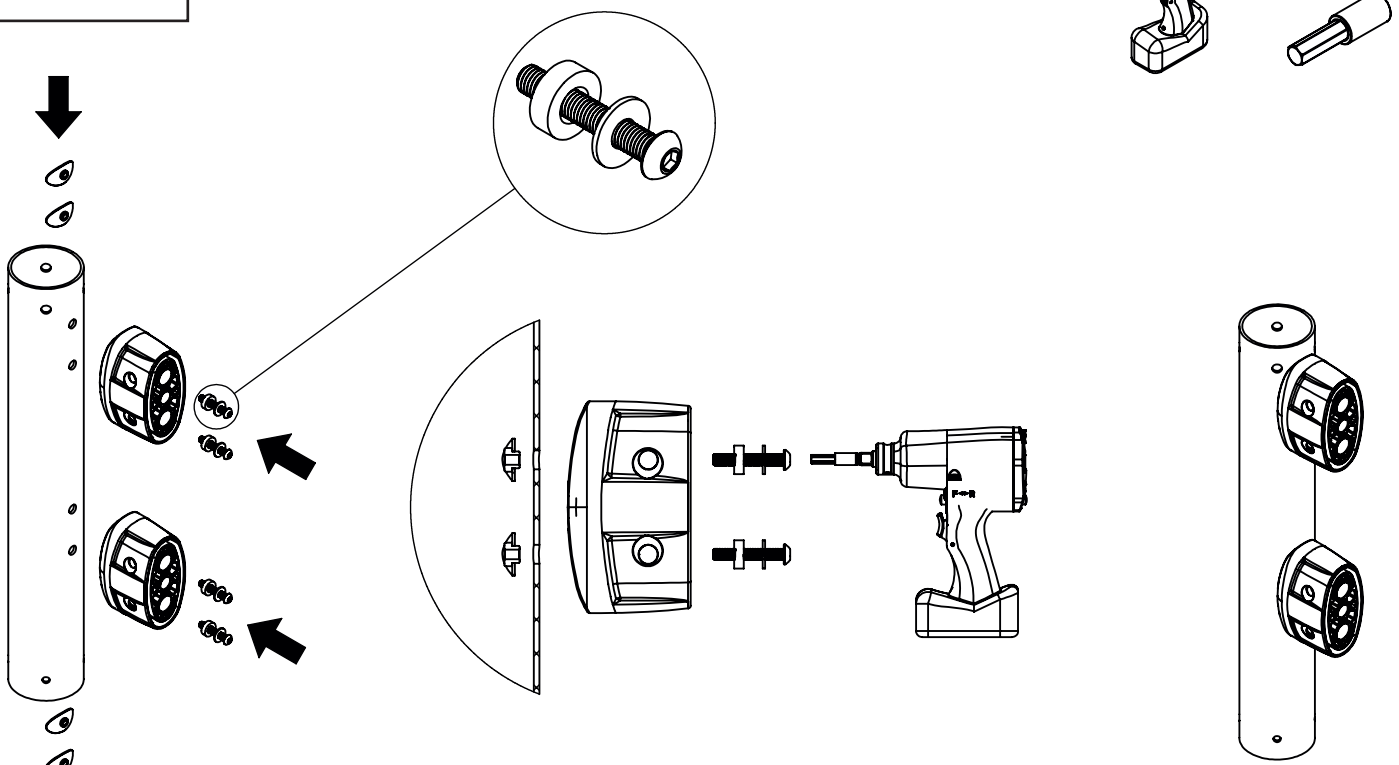
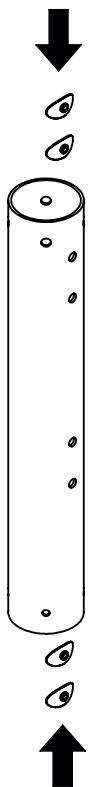


Marker



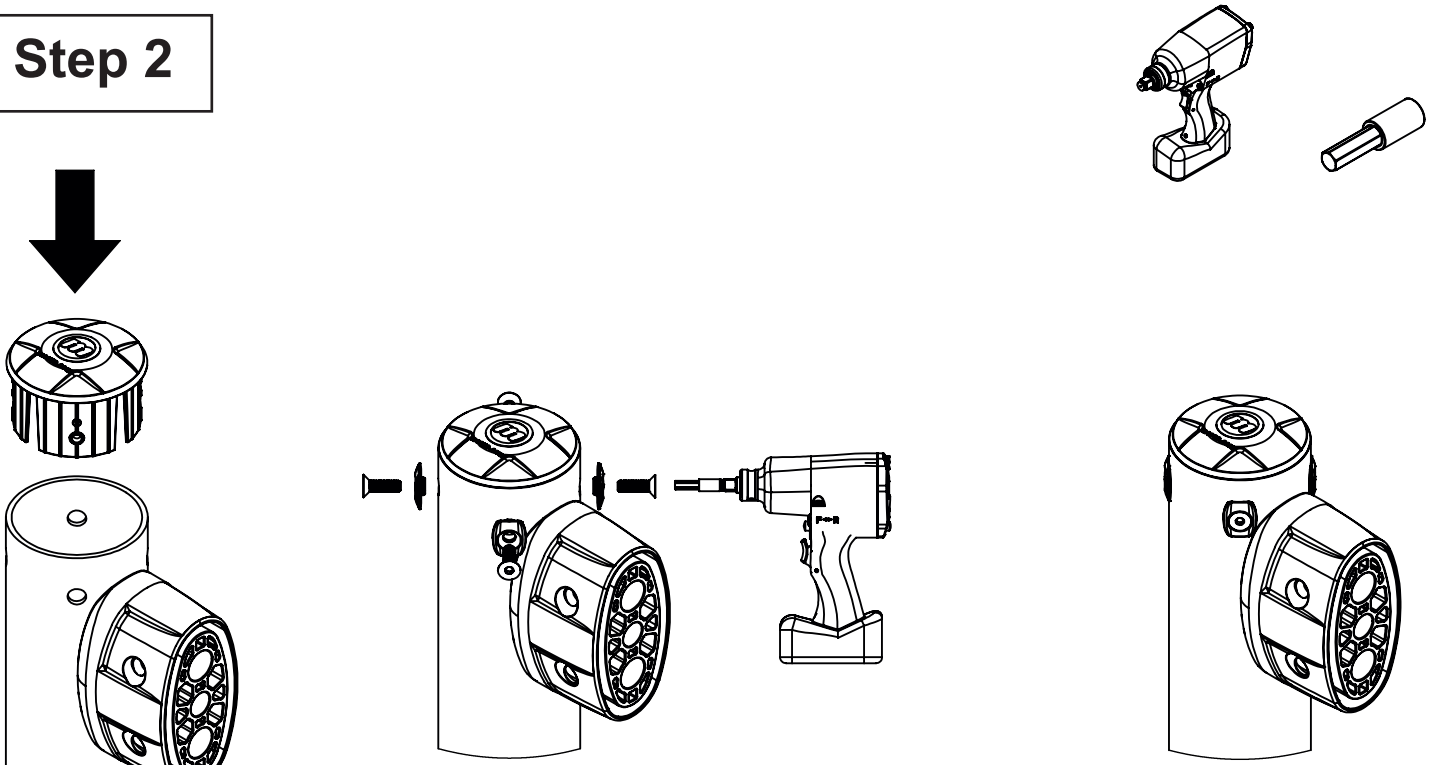
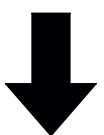
PPE recommended: High Visibility Vest, Steel Toe Boots, Work Gloves, Ear Protection, Dust Mask, Eye Protection.

Step 1



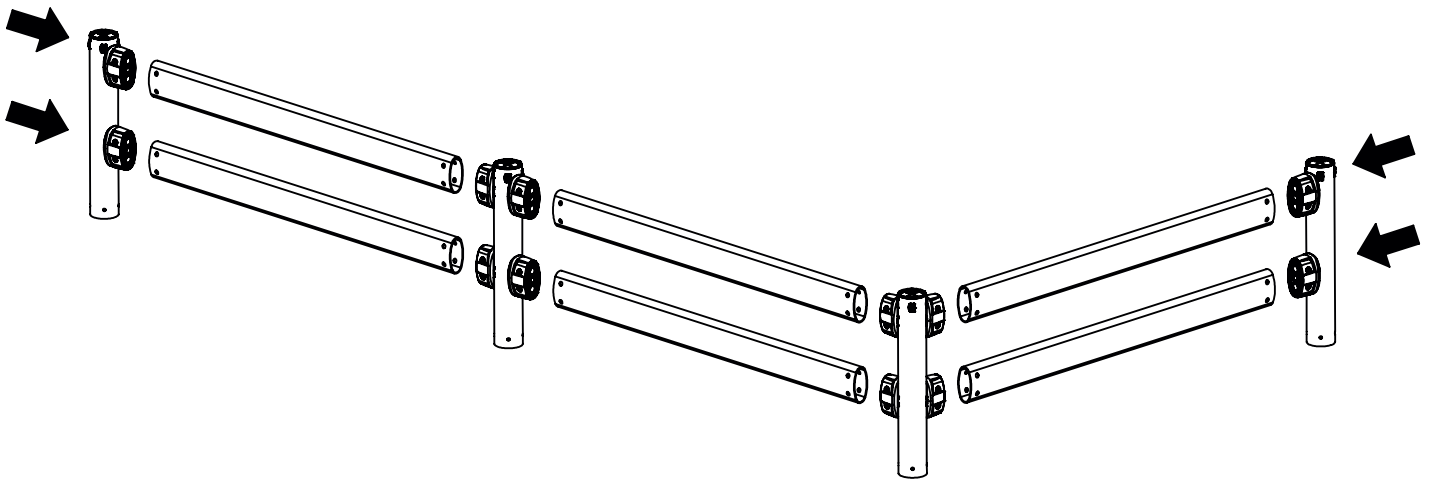
REPEAT FOR ALL POSTS

Step 2

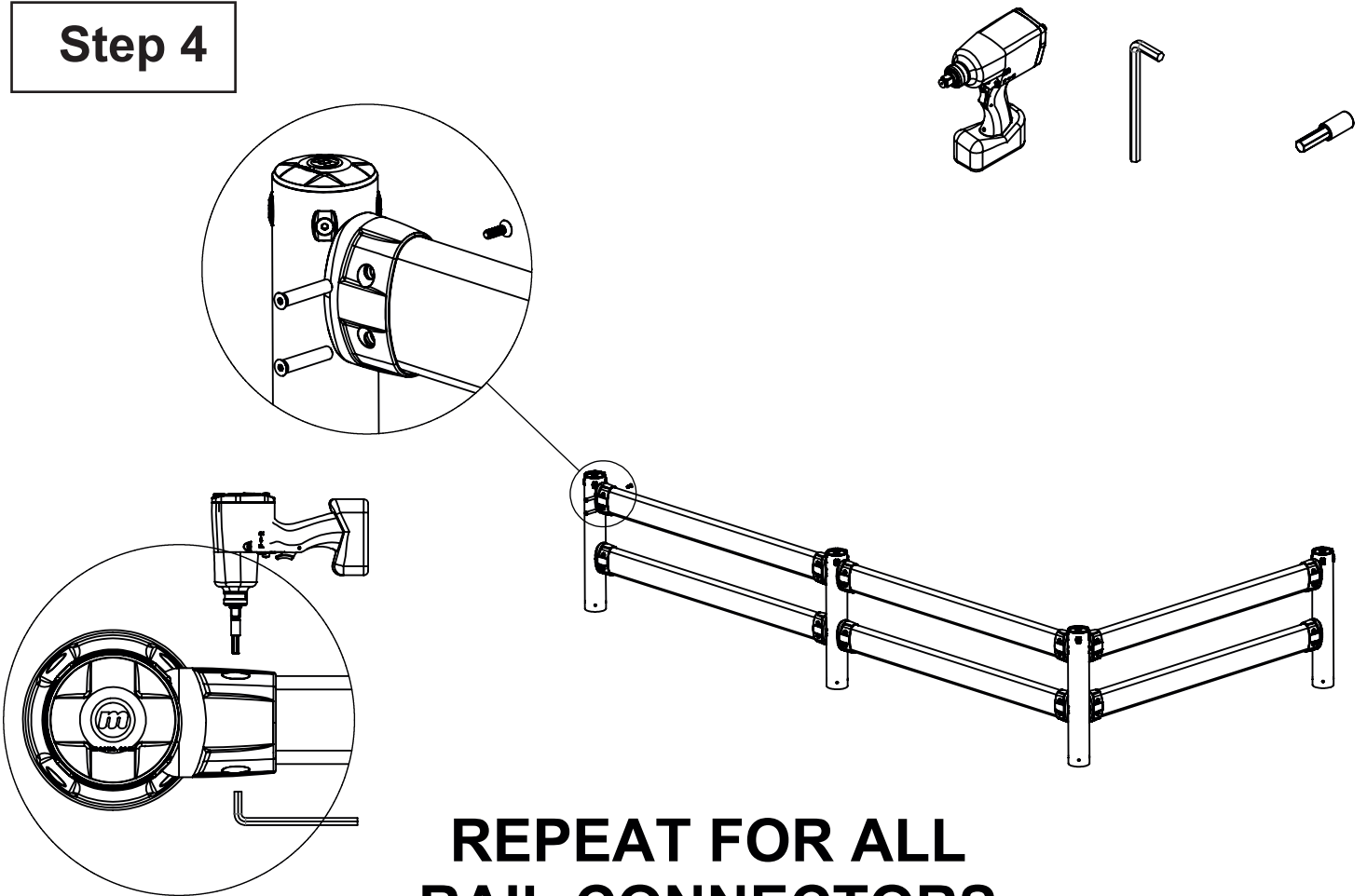


REPEAT FOR ALL POSTS

Step 3

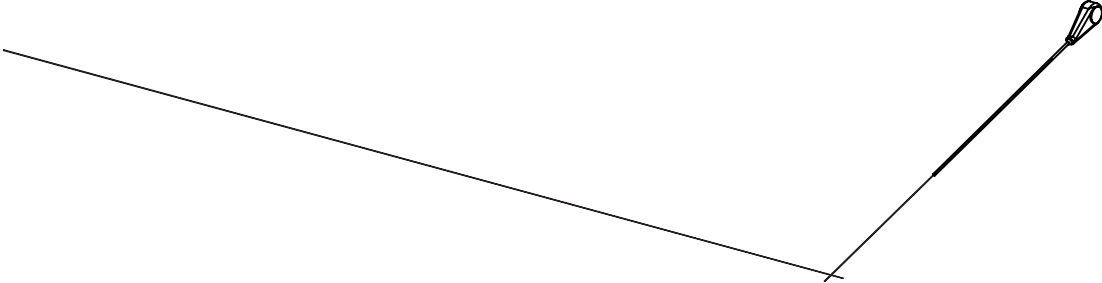
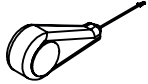


Step 4

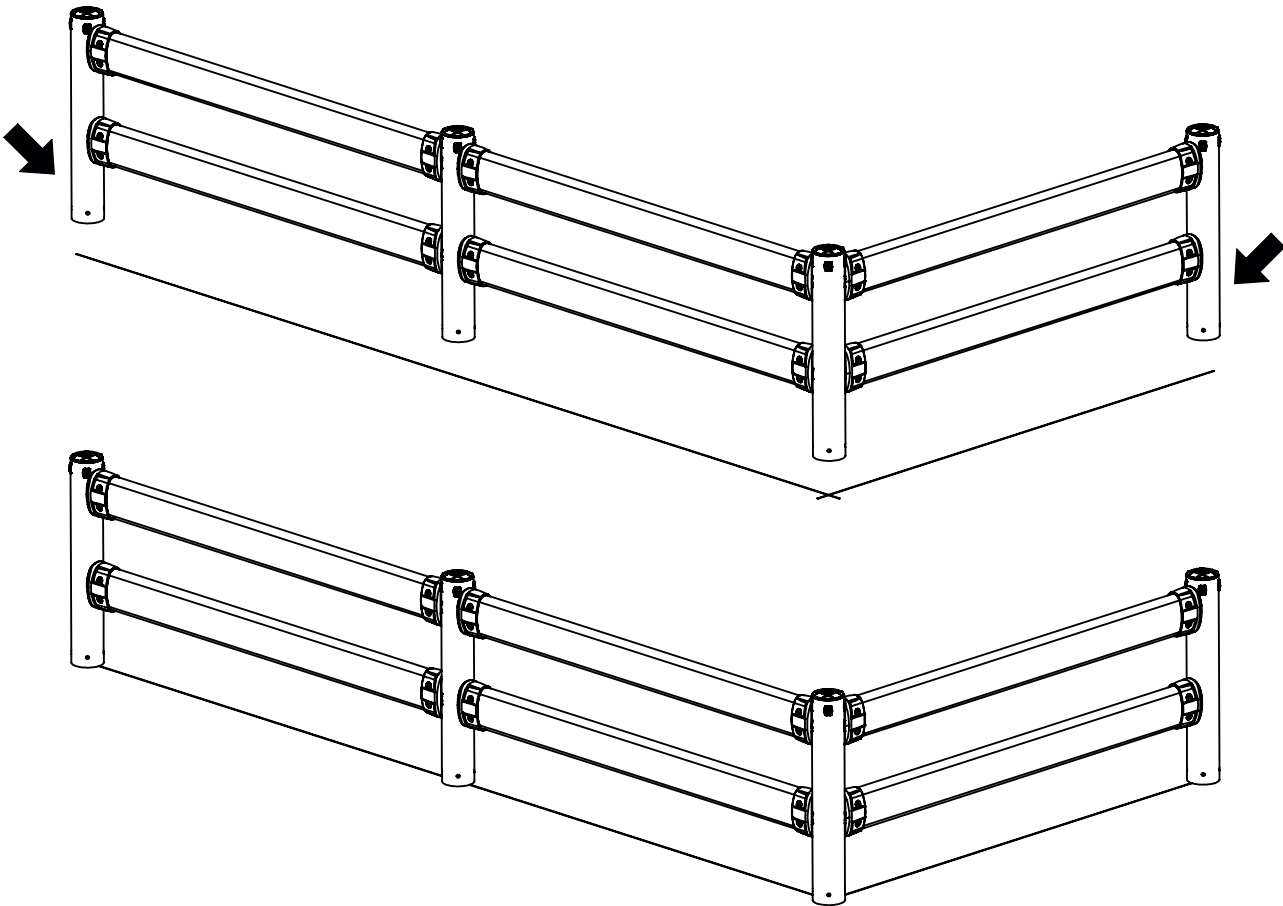


**REPEAT FOR ALL
RAIL CONNECTORS**

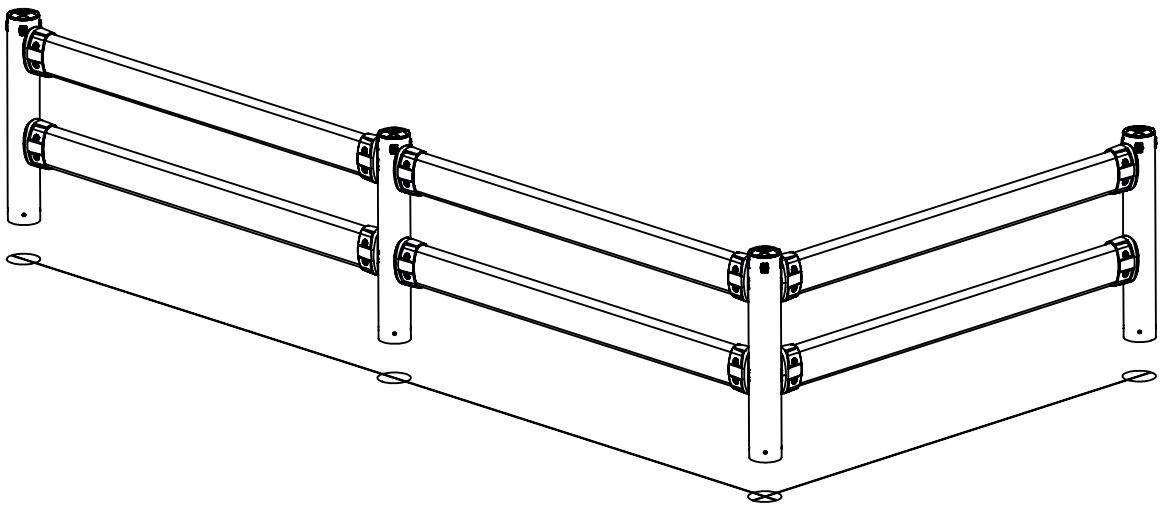
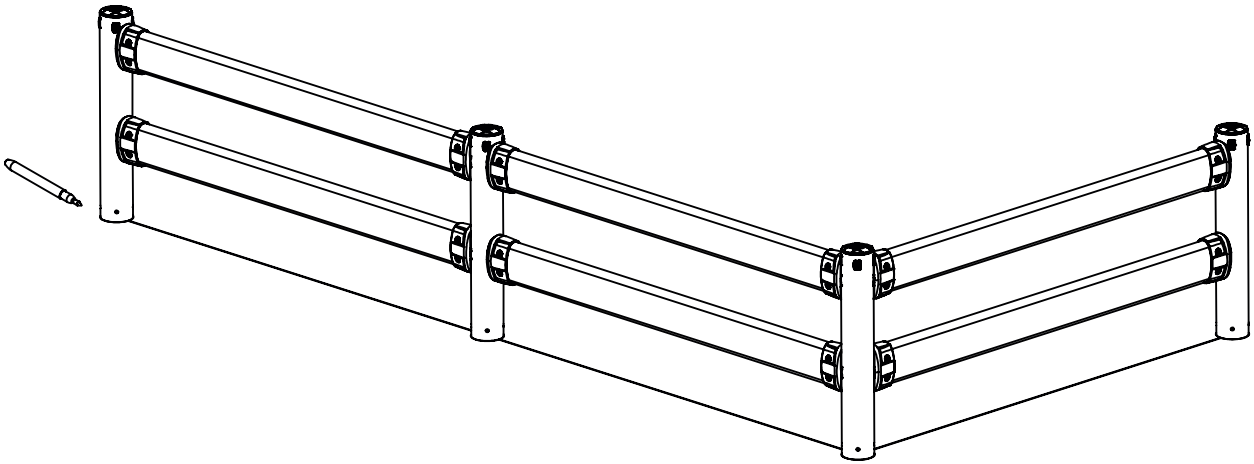
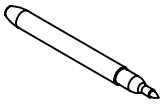
Step 5



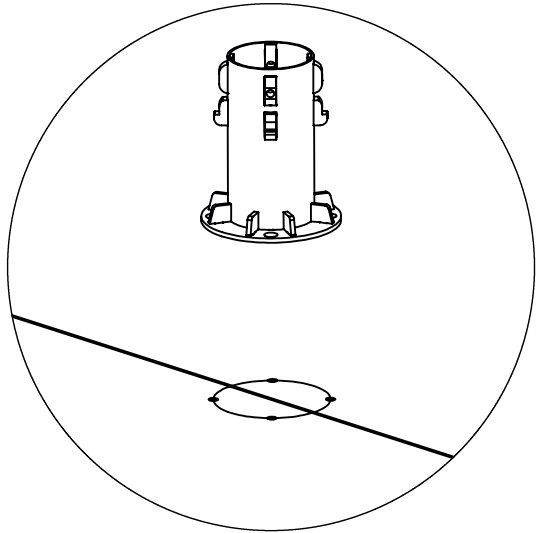
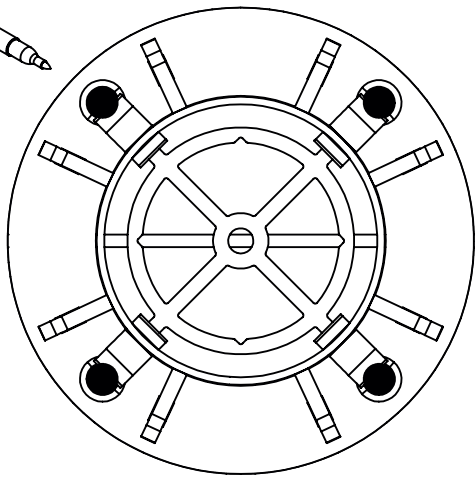
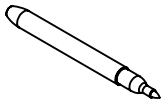
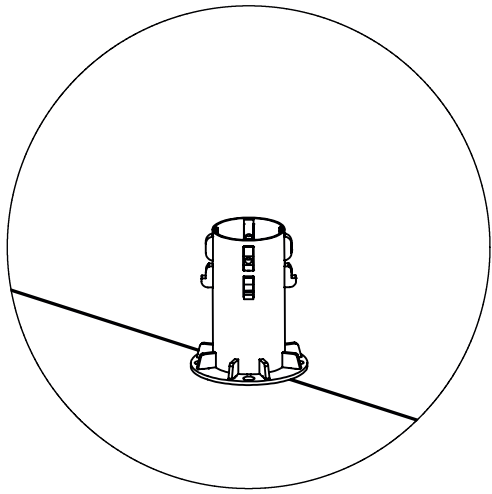
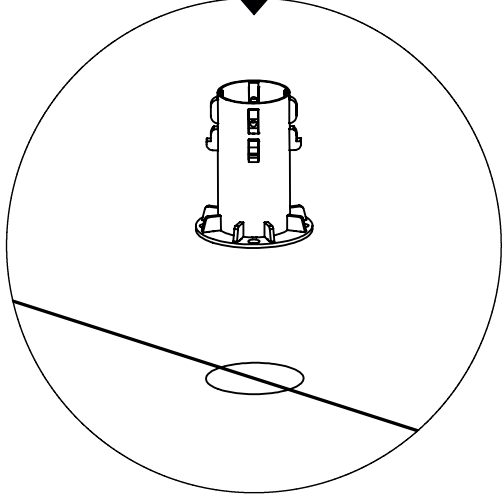
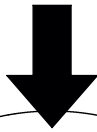
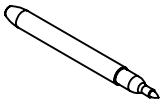
Step 6



Step 7

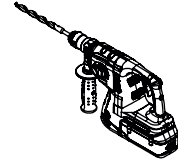
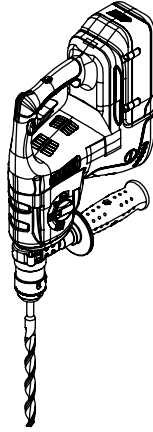


Step 8

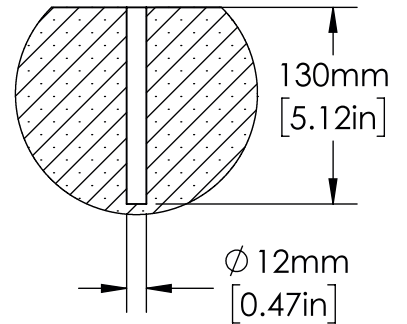


REPEAT FOR ALL BASE CORES

Step 9

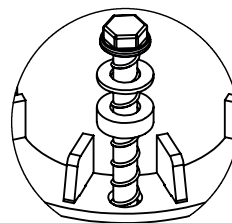
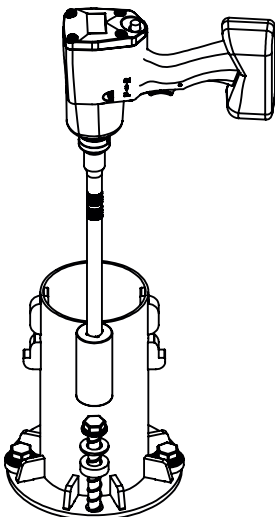
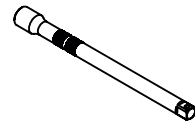


Anchor detail



- PPE recommended: High Visibility Vest, Steel Toe Boots, Work Gloves, Ear Protection, Dust Mask, Eye Protection.
- Clean concrete dust by running the vacuum during drilling.

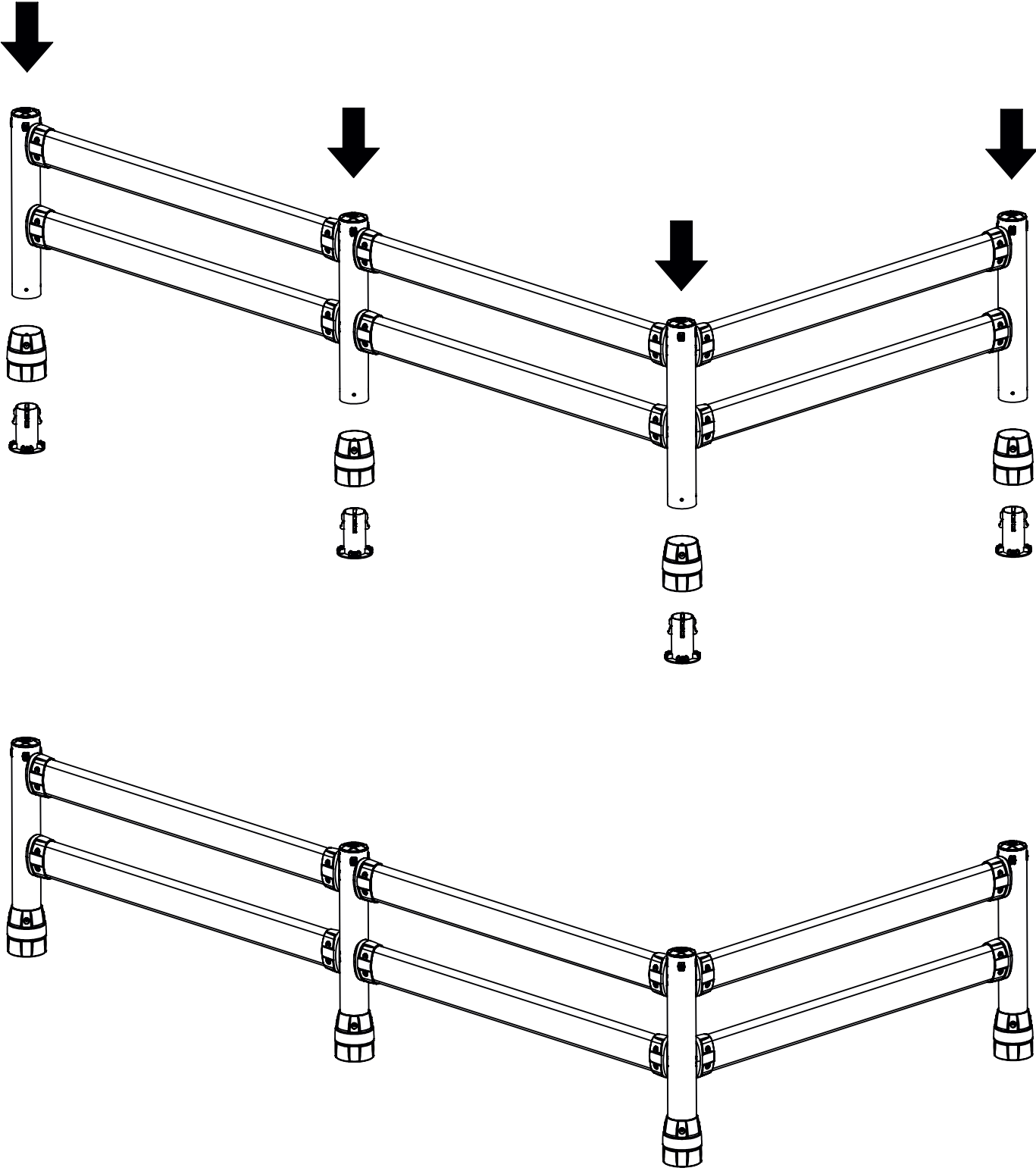
Step 10



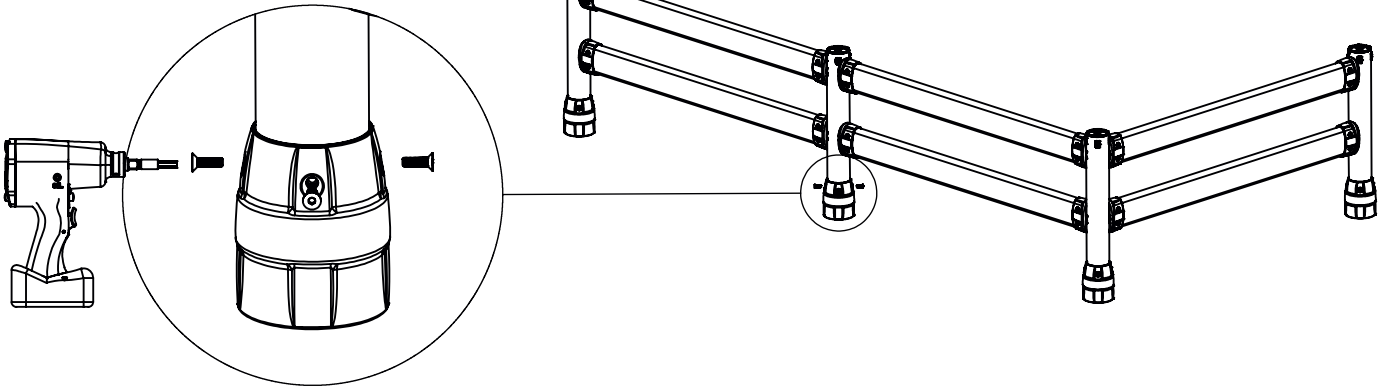
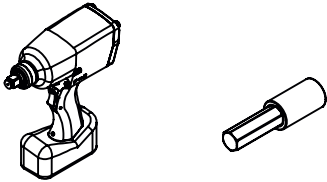
Anchor detail

REPEAT FOR ALL BASE CORES

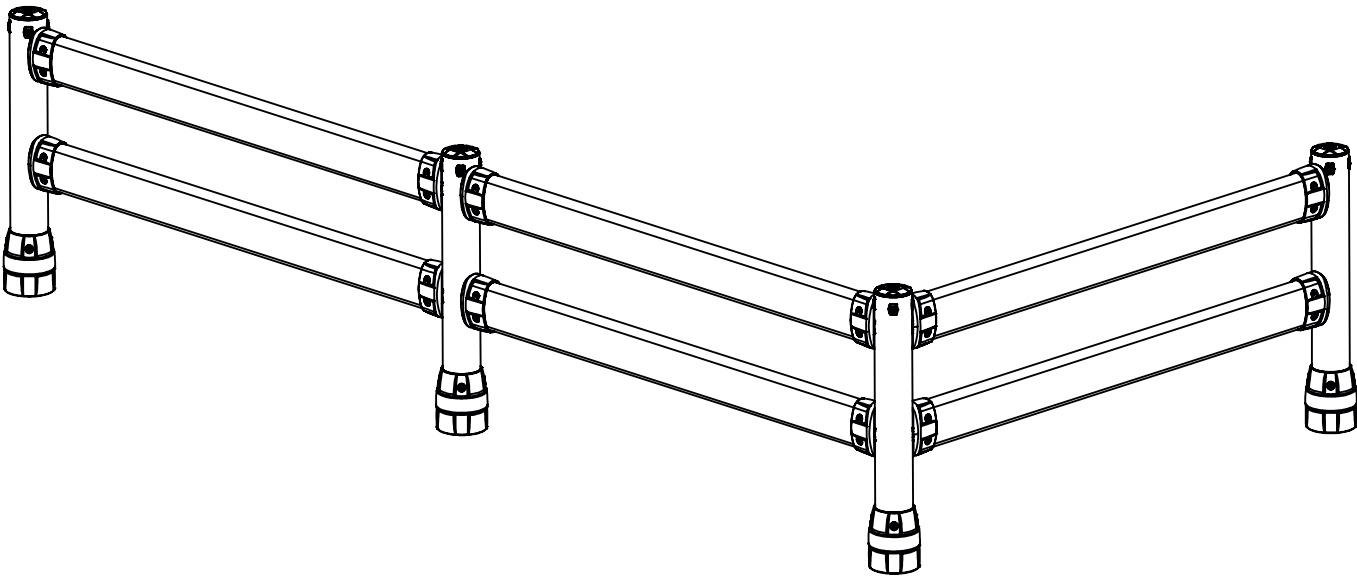
Step 11



Step 12

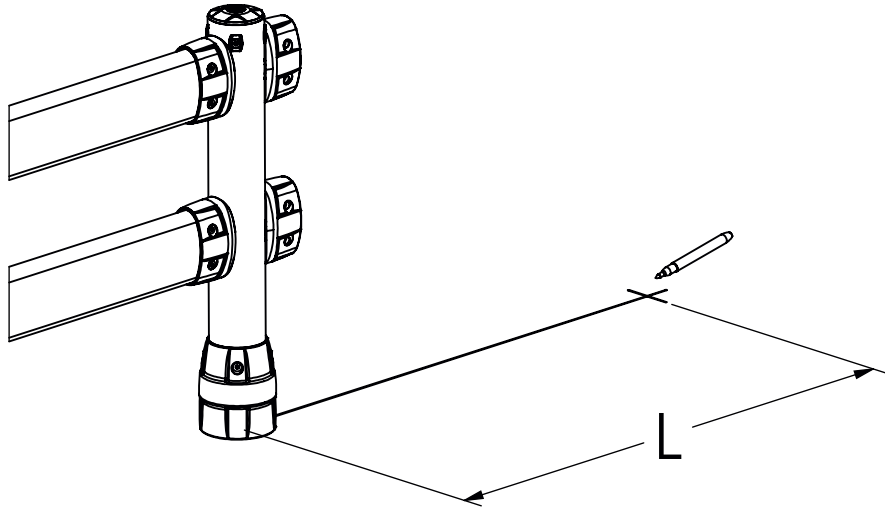


Installation Complete

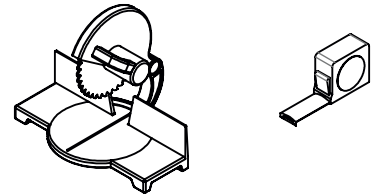


Appendix A: Custom Length Rails

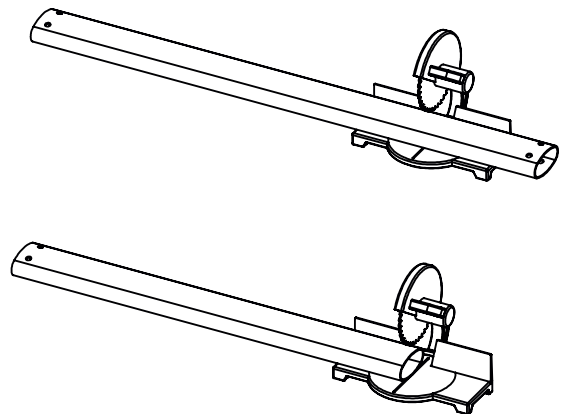
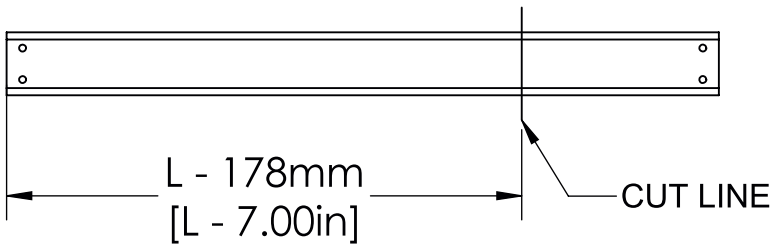
Step A1



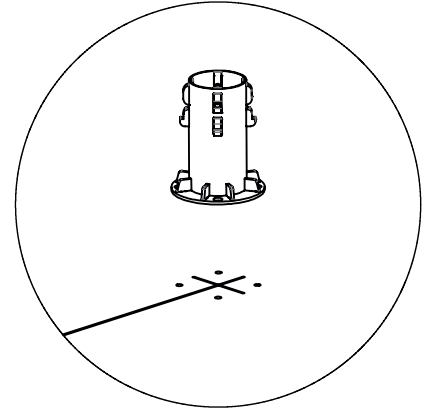
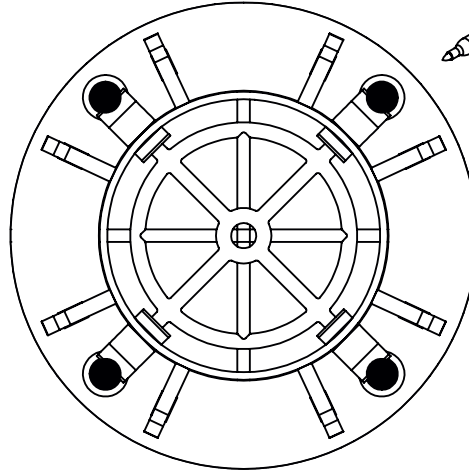
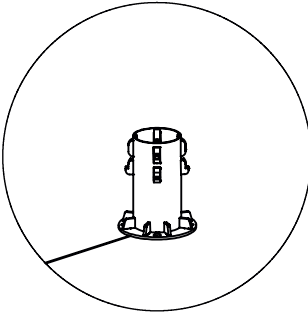
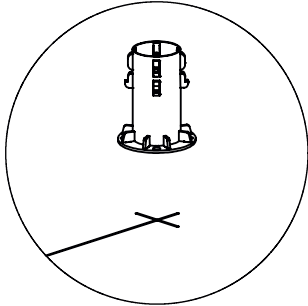
Step A2



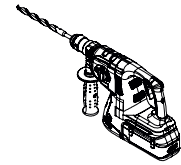
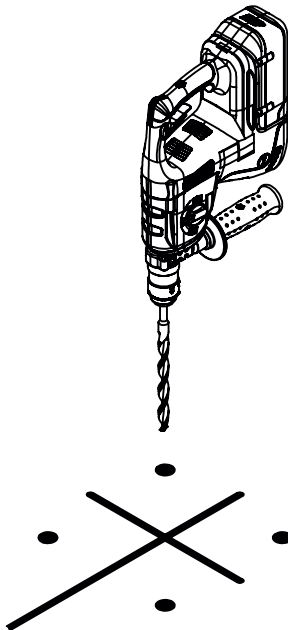
Crossbar L-Line



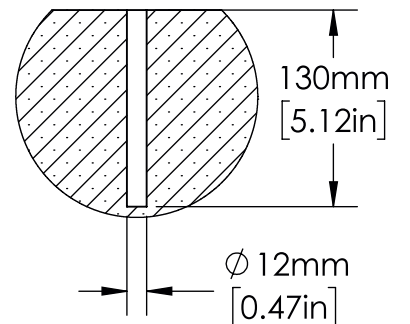
Step A3



Step A4

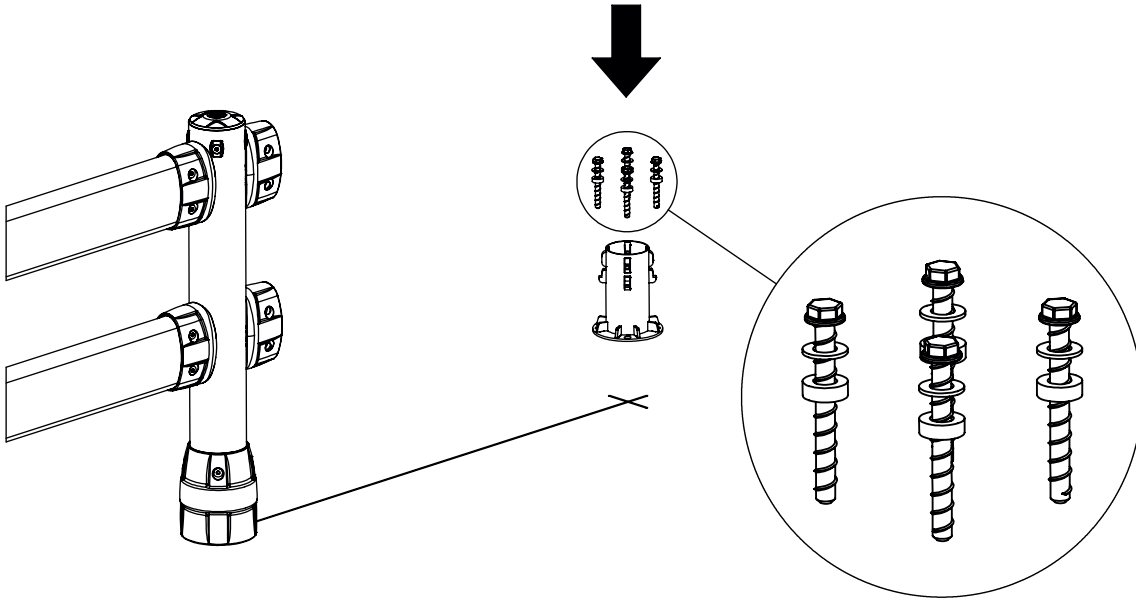
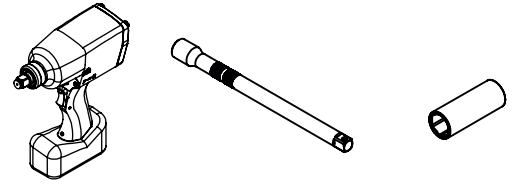


Anchor detail

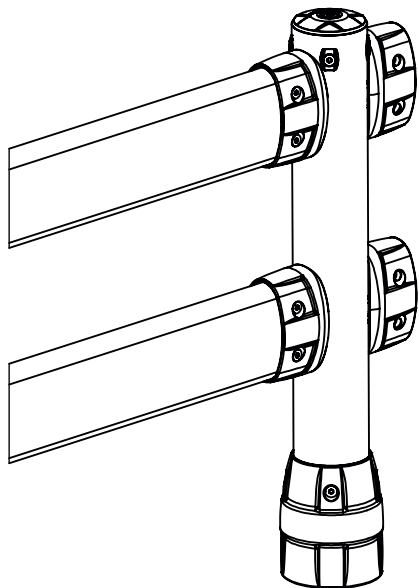


- PPE recommended: High Visibility Vest, Steel Toe Boots, Work Gloves, Ear Protection, Dust Mask, Eye Protection.
- Clean concrete dust by running the vacuum during drilling.

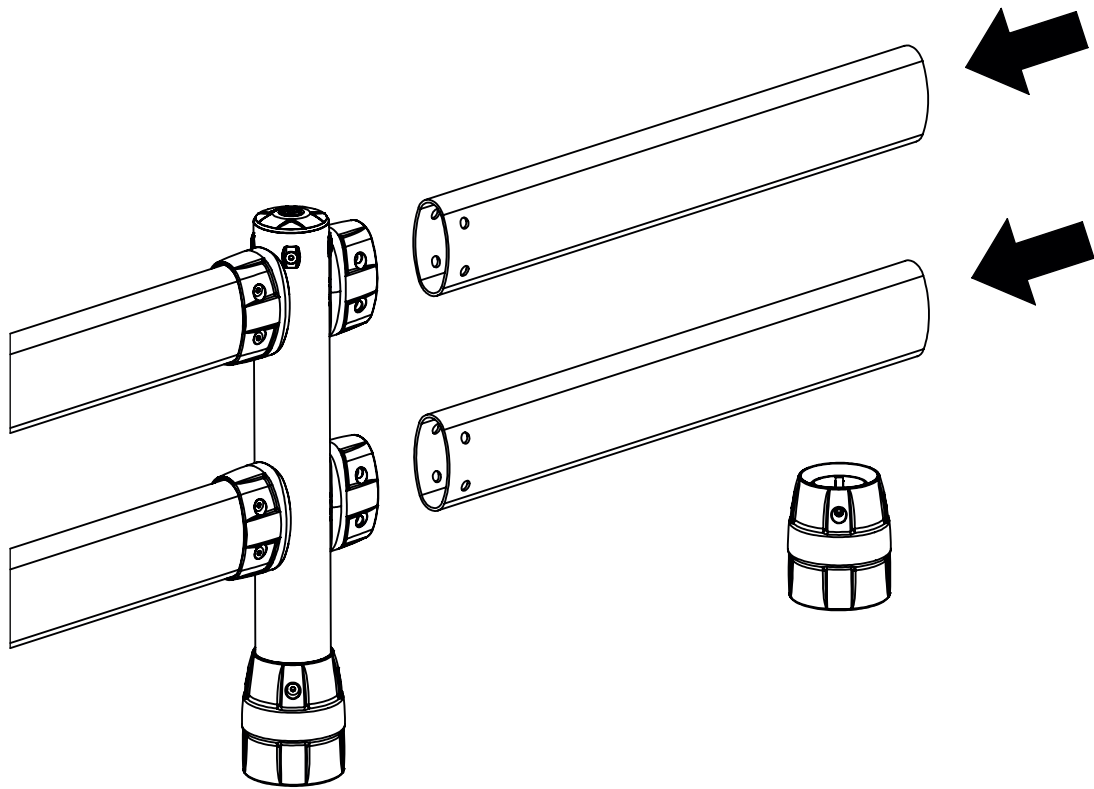
Step A5



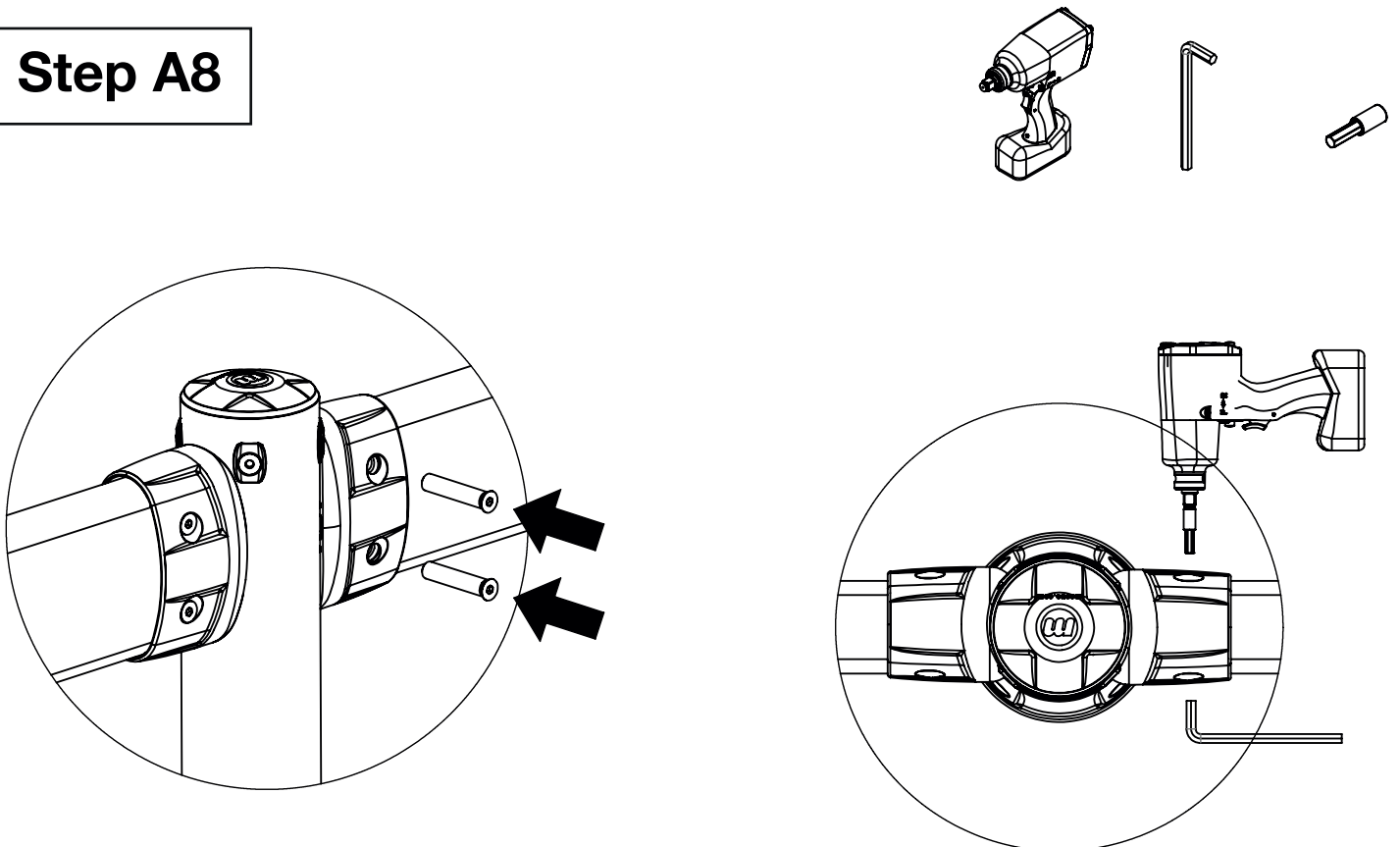
Step A6



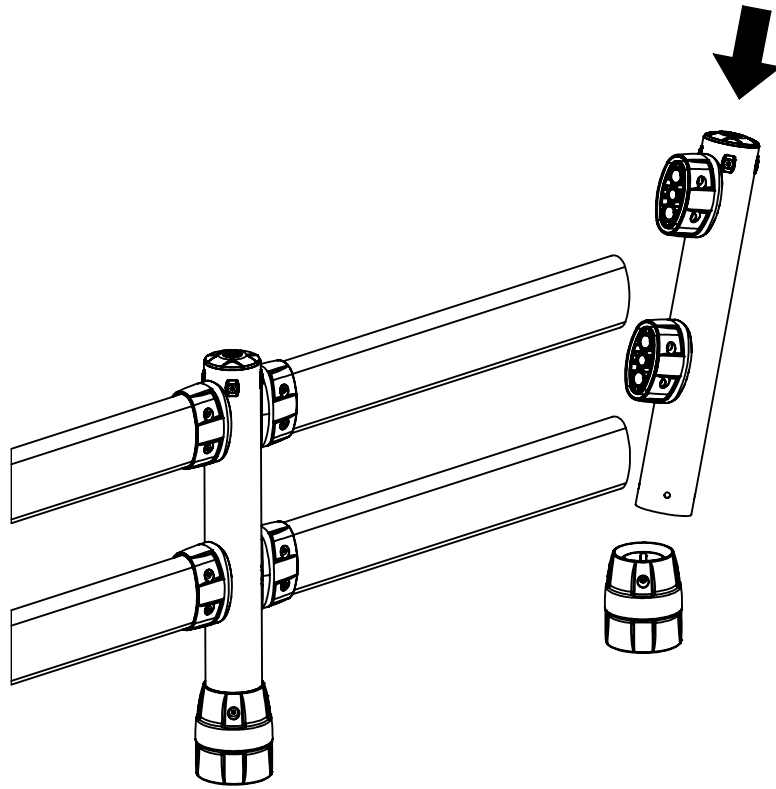
Step A7



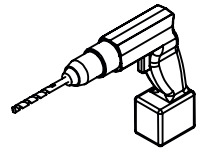
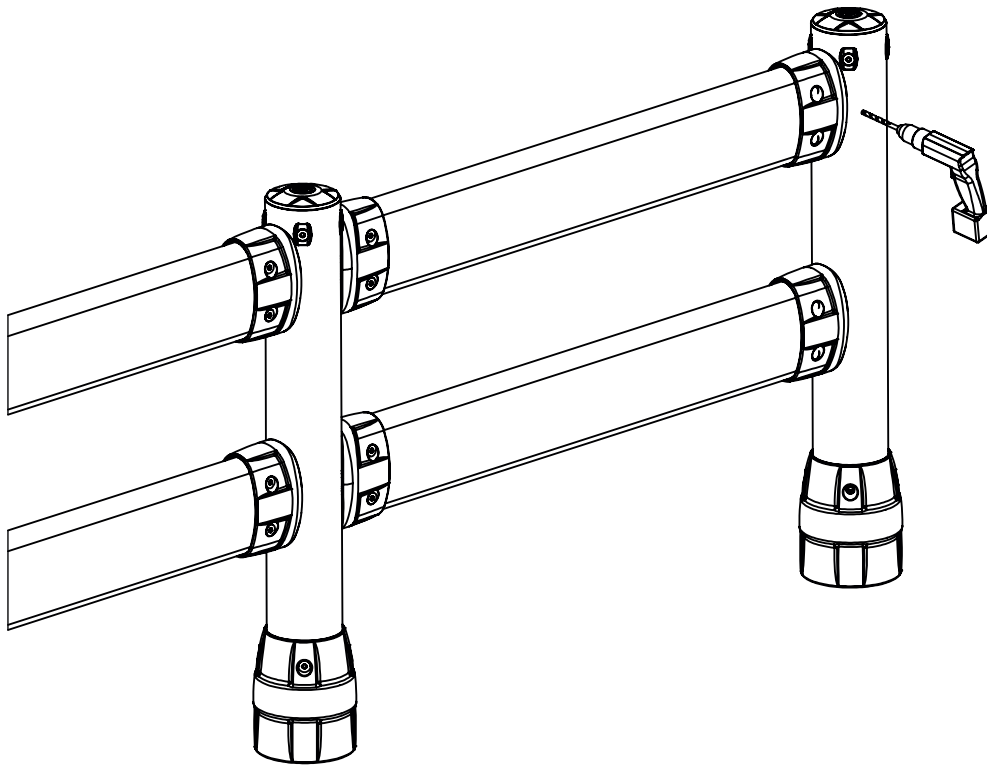
Step A8



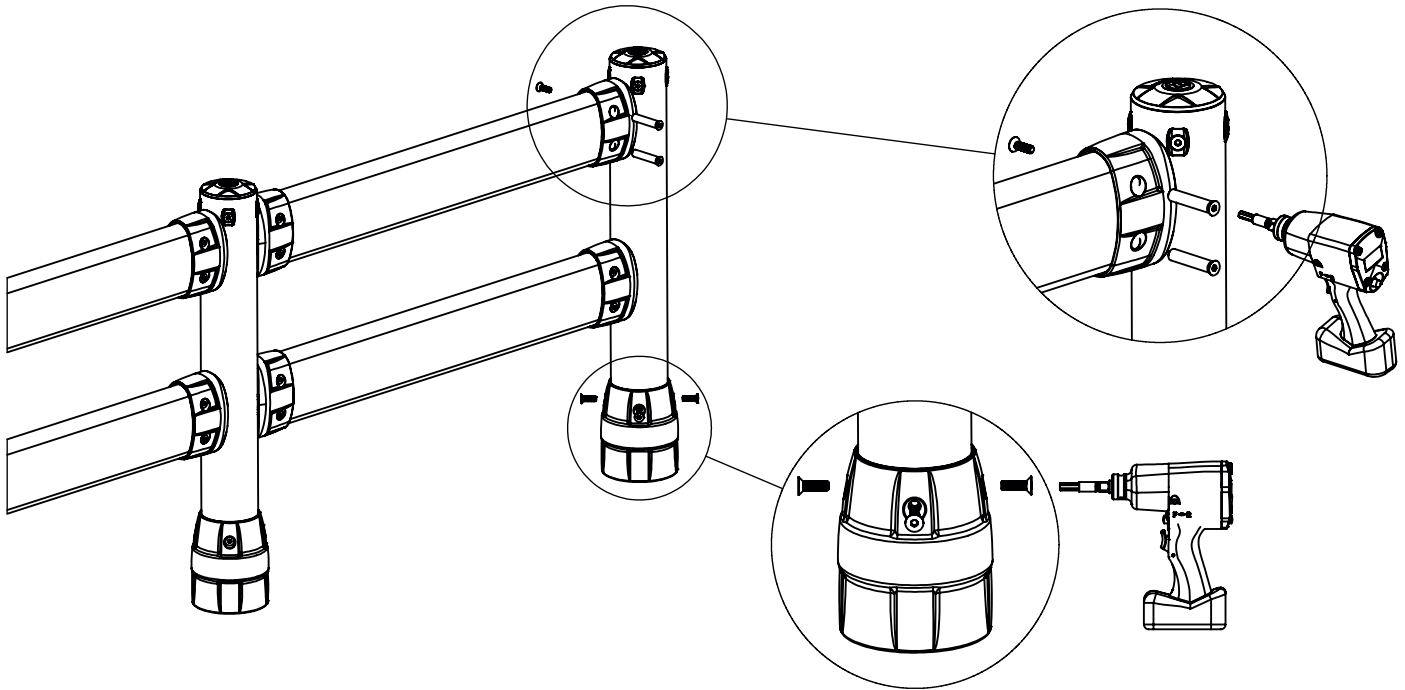
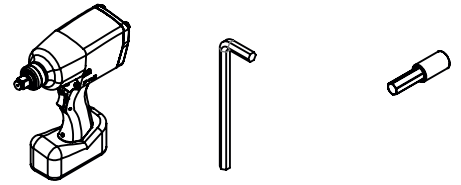
Step A9



Step A10



Step A10



Installation Complete

