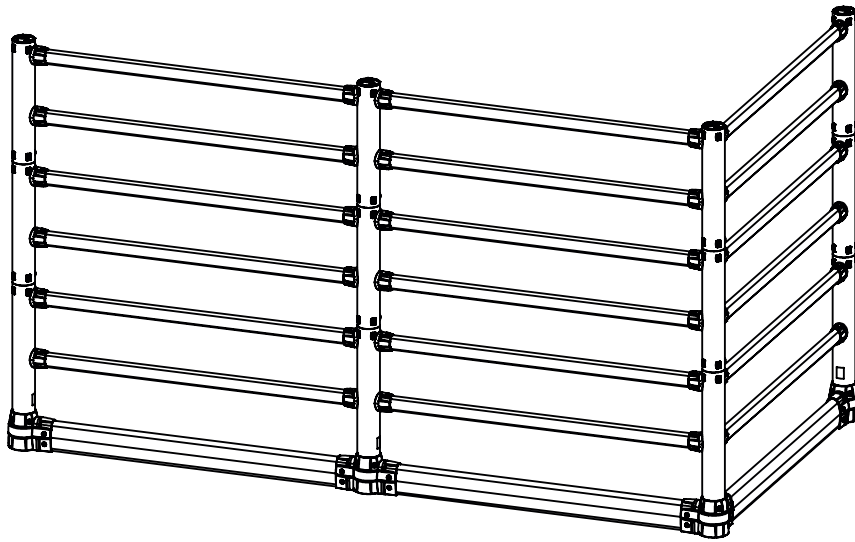
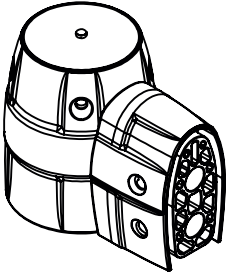


FLEX+ High-Line with Under-run Guard Installations Instructions

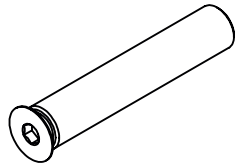


Components

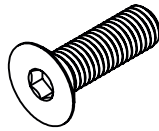
Base start/end incl. fixing materials



QTY: 1



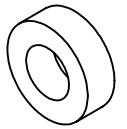
QTY: 2



QTY: 6

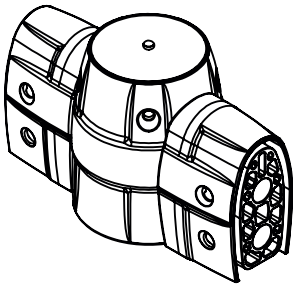


QTY: 4

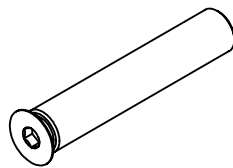


QTY: 4

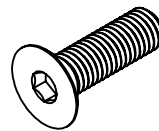
Base centre incl. fixing materials



QTY: 1



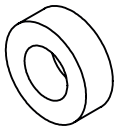
QTY: 4



QTY: 8

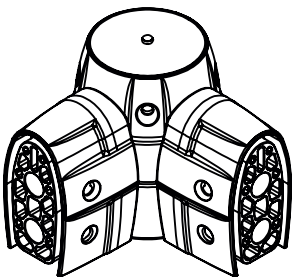


QTY: 4

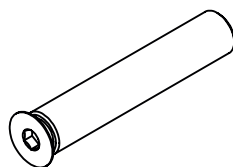


QTY: 4

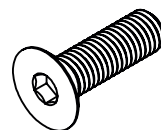
Base corner incl. fixing materials



QTY: 1



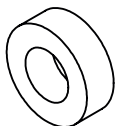
QTY: 4



QTY: 8



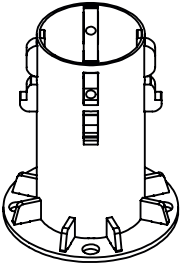
QTY: 4



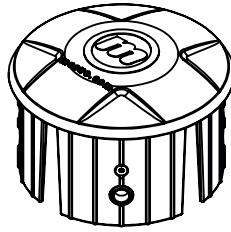
QTY: 4

Components

Base floor anchor



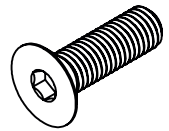
Cover cap incl. fixing materials



QTY: 1

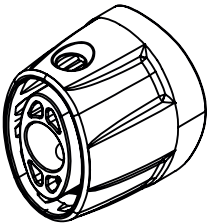


QTY: 4

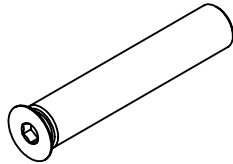


QTY: 4

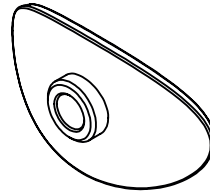
S-Line Connector incl. fixing materials



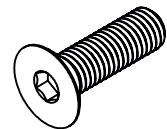
QTY: 1



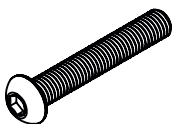
QTY: 1



QTY: 1



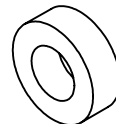
QTY: 1



QTY: 1



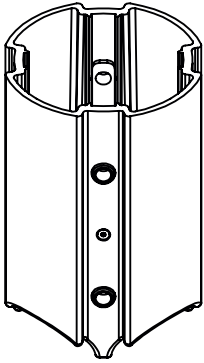
QTY: 1



QTY: 1

Components

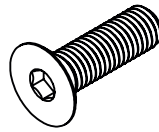
Post Extender



QTY: 1

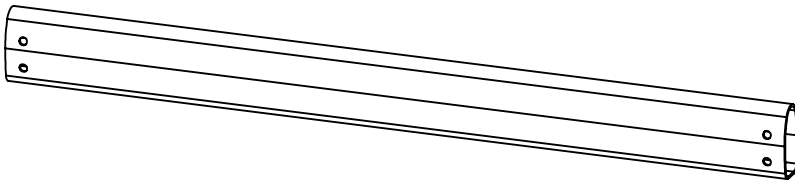


QTY: 8

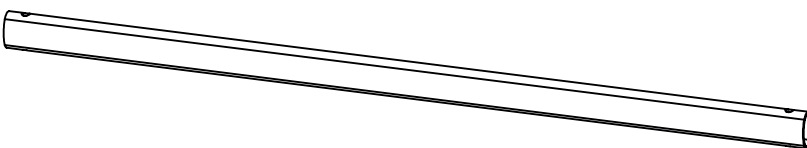


QTY: 8

Crossbar Under-run Guard

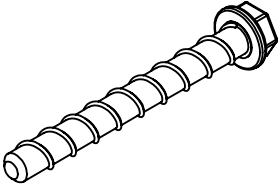


Crossbar High-Line

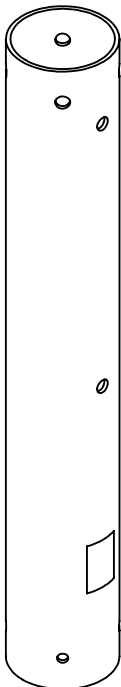


Components

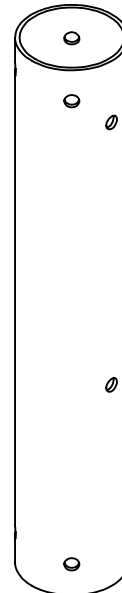
Concrete anchors



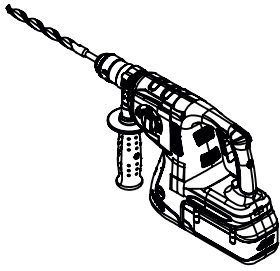
**S-Line Post start/end |
centre | corner**



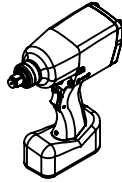
**High-Line Post start/end |
centre | corner**



Required Tools



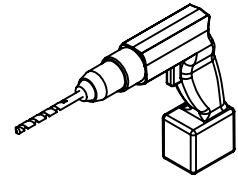
Hammer Drill With
 \varnothing 12mm or \varnothing 1/2in
Masonry Bit



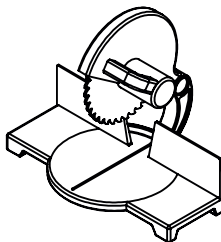
Impact
Driver



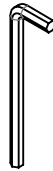
Vacuum



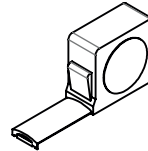
Drill with
 \varnothing 20mm [3/4in] Bit



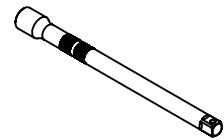
Mitre Saw



Hex Key
8mm [5/16in]



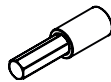
Measuring Tape



Socket Extender



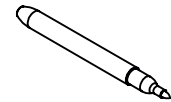
Hex Socket
17mm [3/4in]



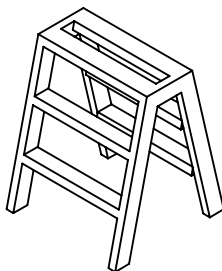
Hex Bit
8mm [5/16in]



Chalk Line



Marker

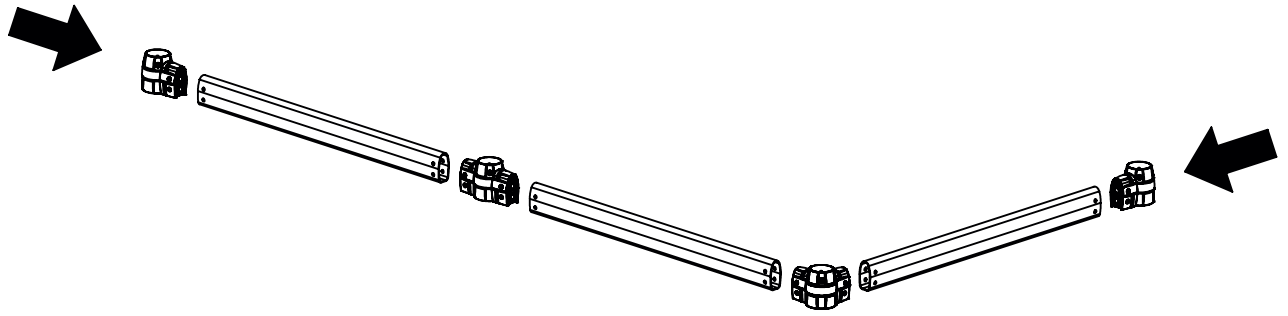


Step Ladder

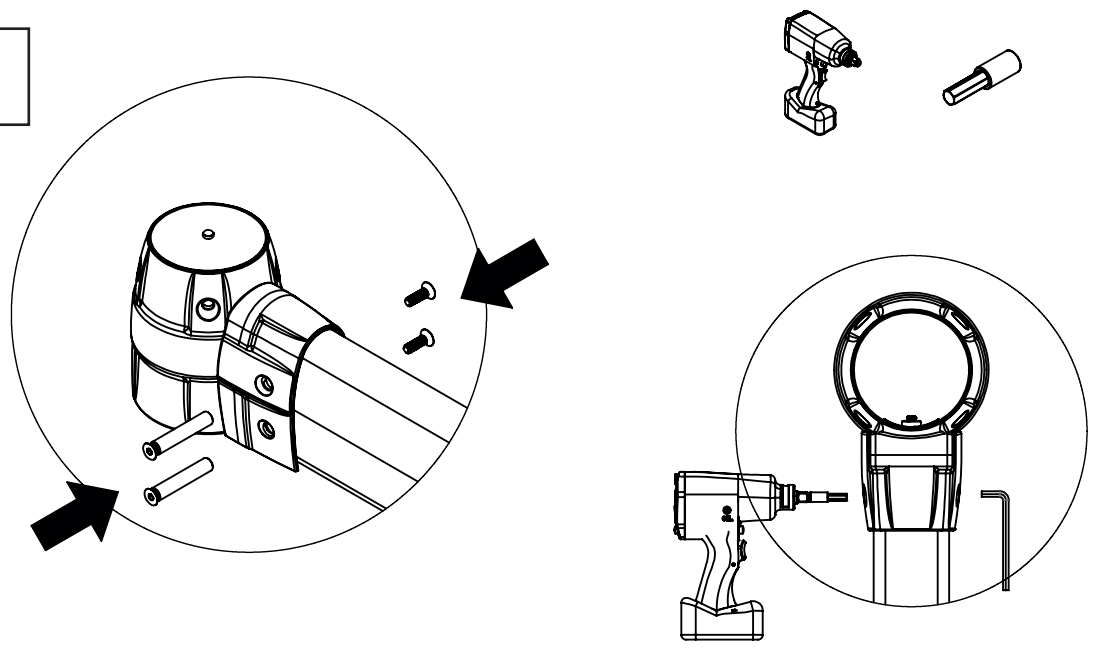


**PPE recommended: High Visibility Vest, Steel Toe Boots,
Work Gloves, Ear Protection, Dust Mask, Eye Protection.**

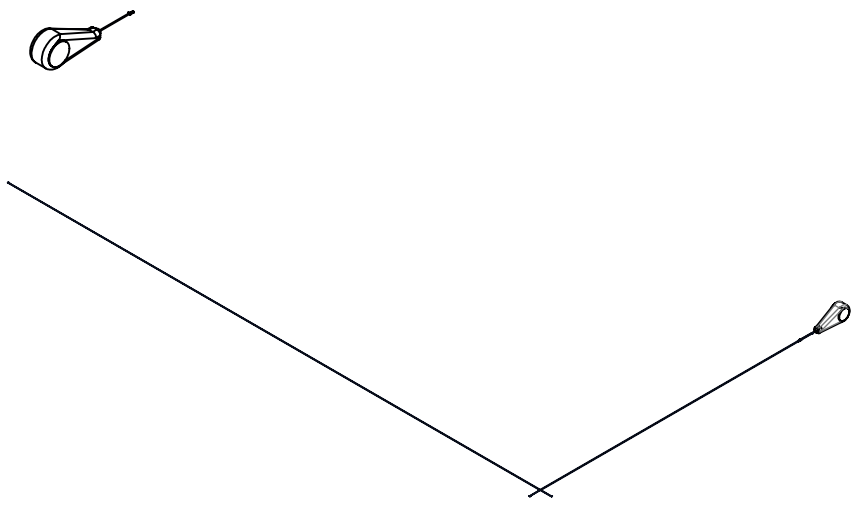
Step 1



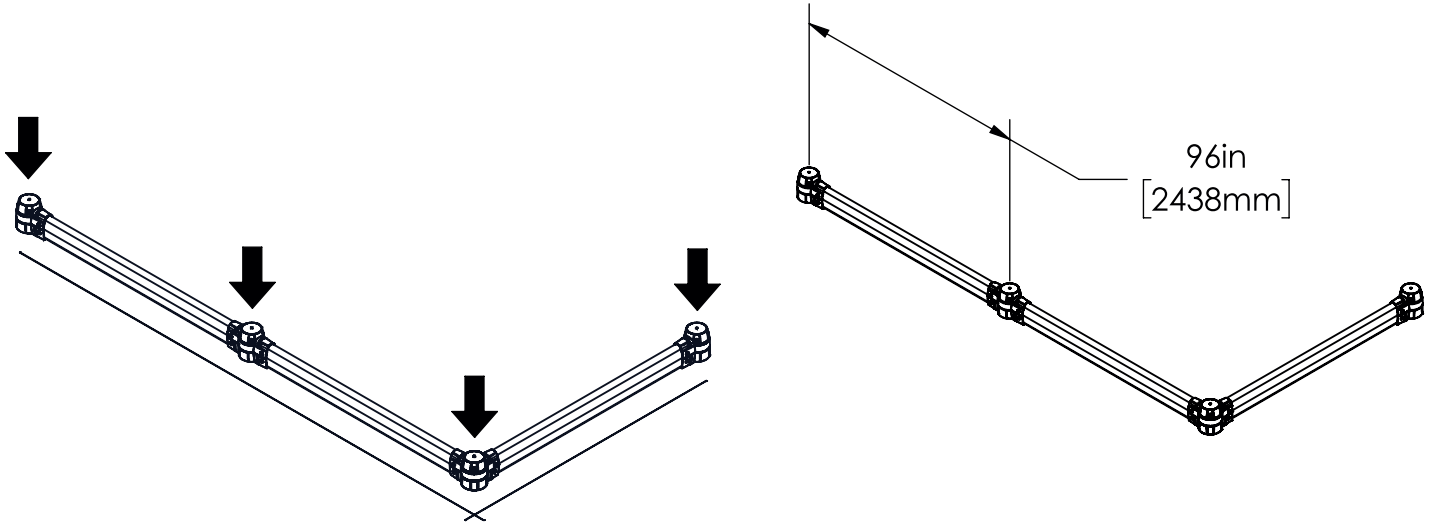
Step 2



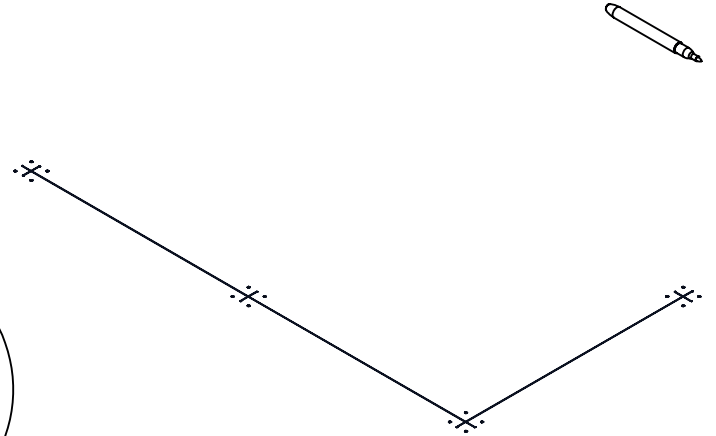
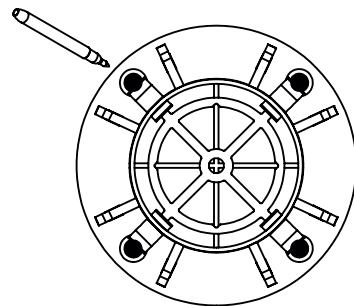
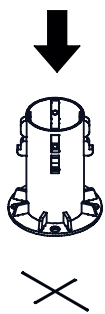
Step 3



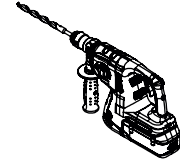
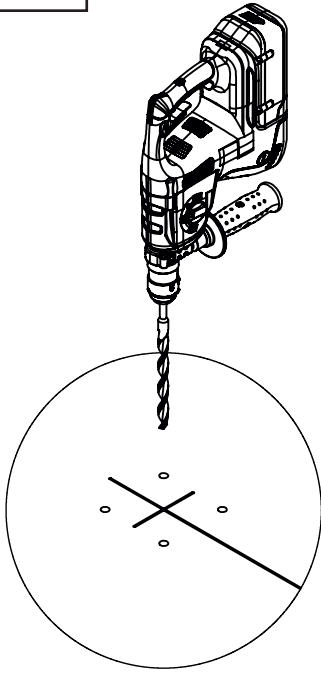
Step 4



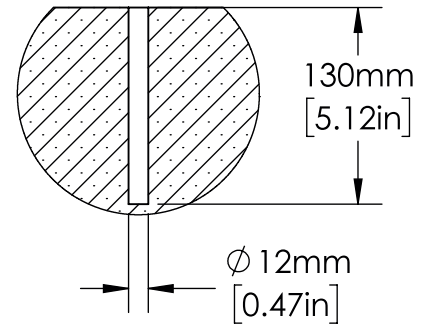
Step 5



Step 6

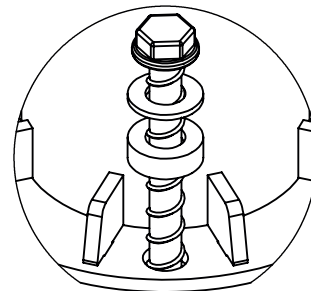
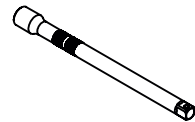
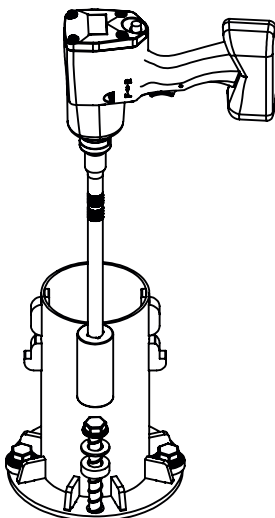


Anchor detail



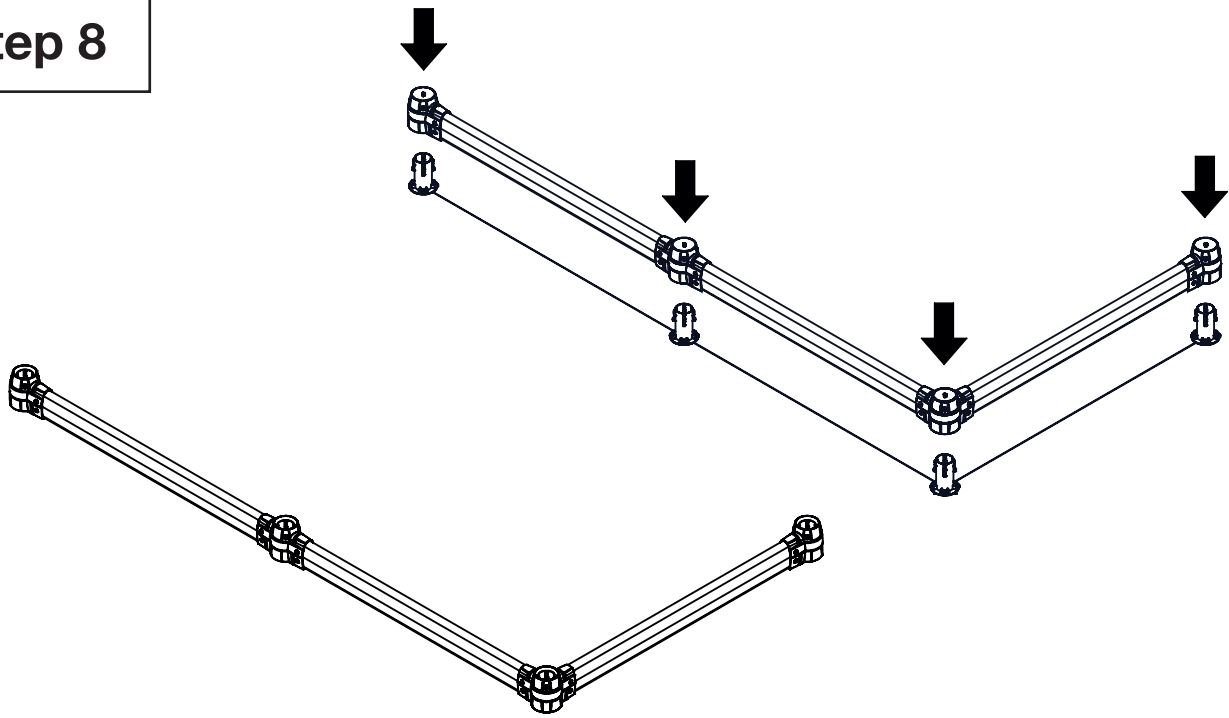
- PPE recommended: High Visibility Vest, Steel Toe Boots, Work Gloves, Ear Protection, Dust Mask, Eye Protection.
- Clean concrete dust by running the vacuum during drilling.

Step 7

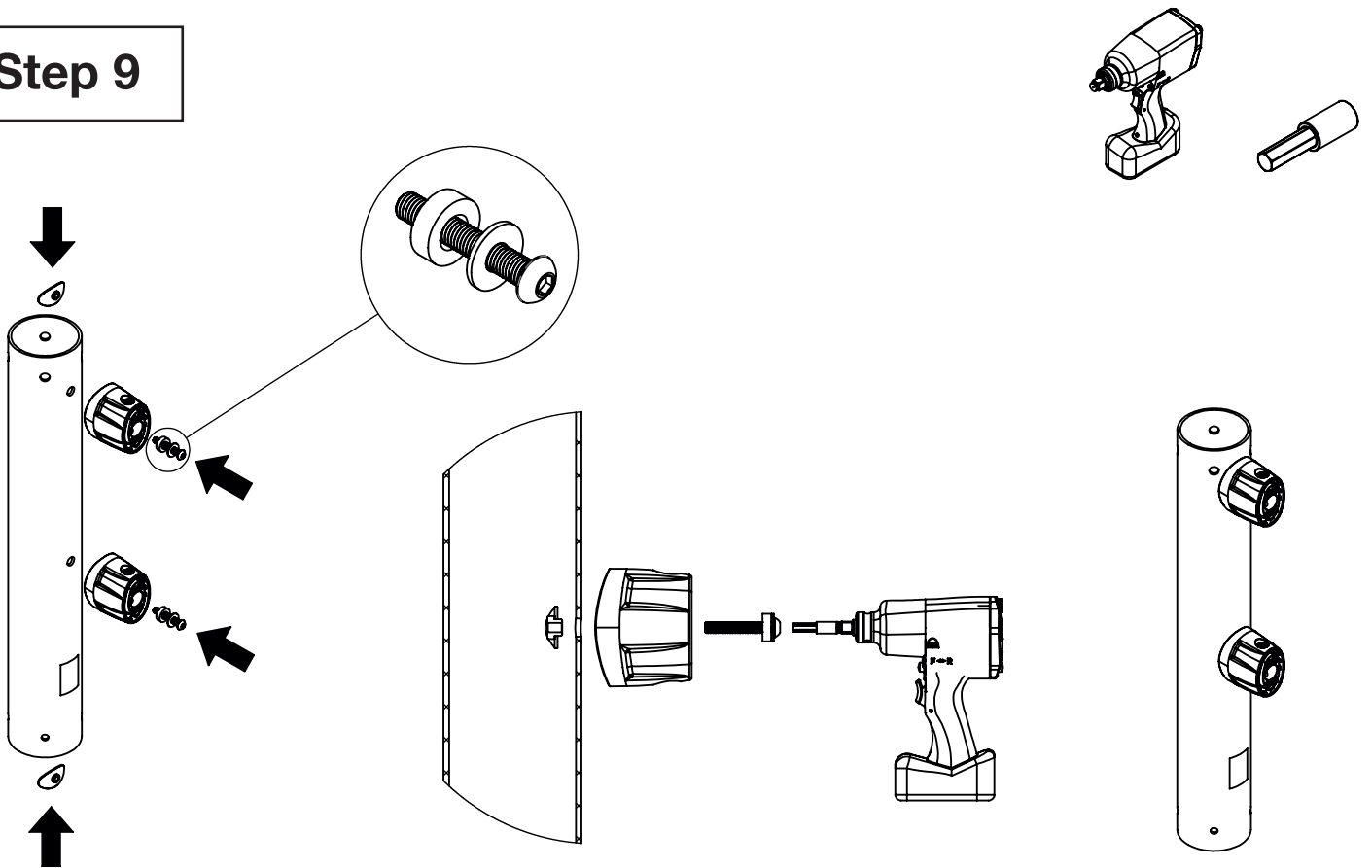


Anchor detail

Step 8

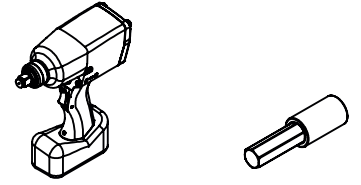
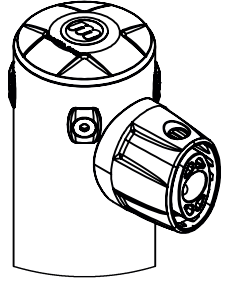
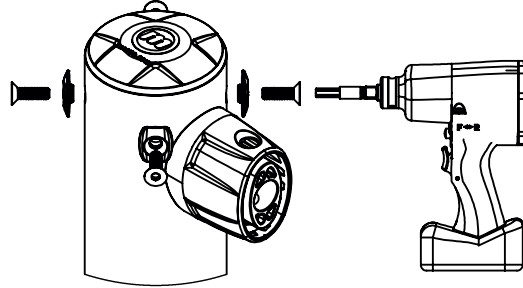
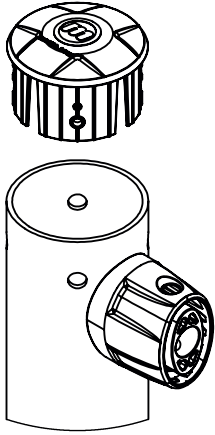
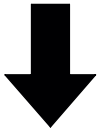


Step 9



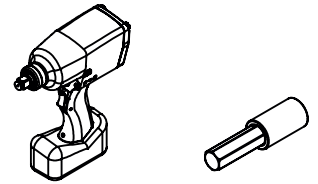
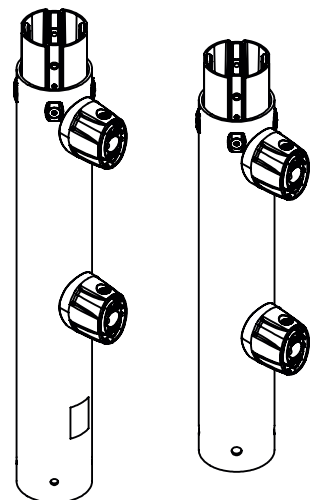
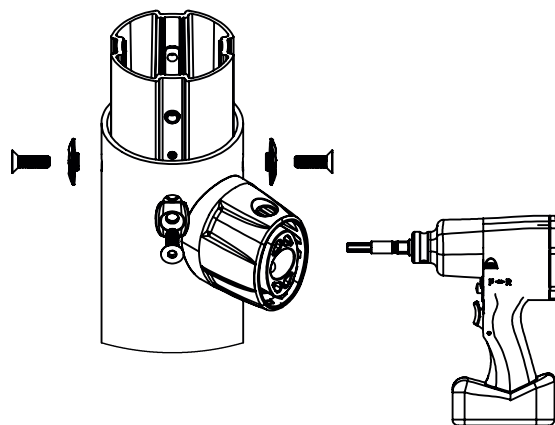
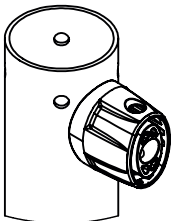
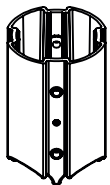
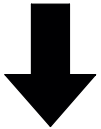
REPEAT FOR ALL POSTS

Step 10



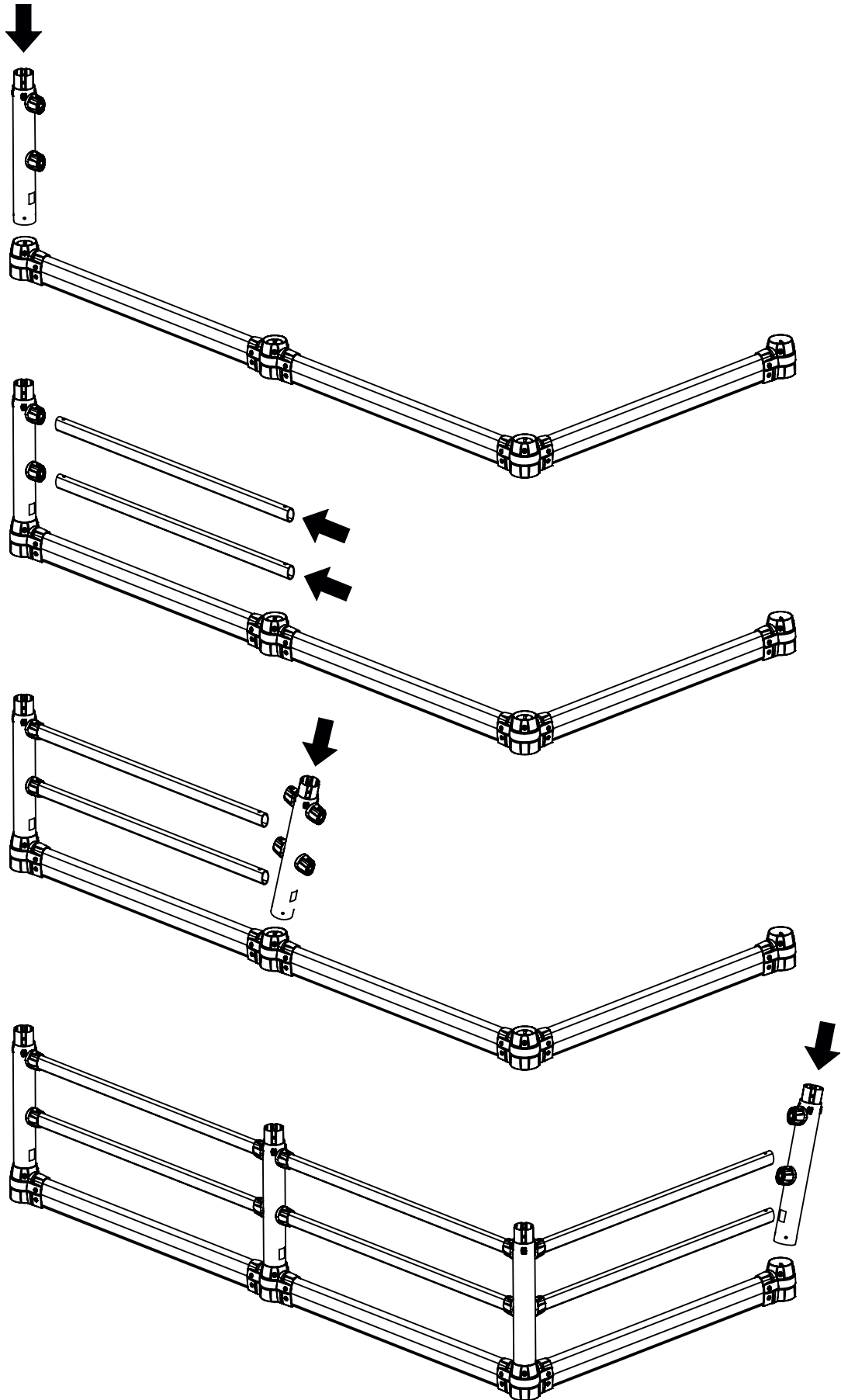
Repeat for 1 High-Line Post per Kit

Step 11

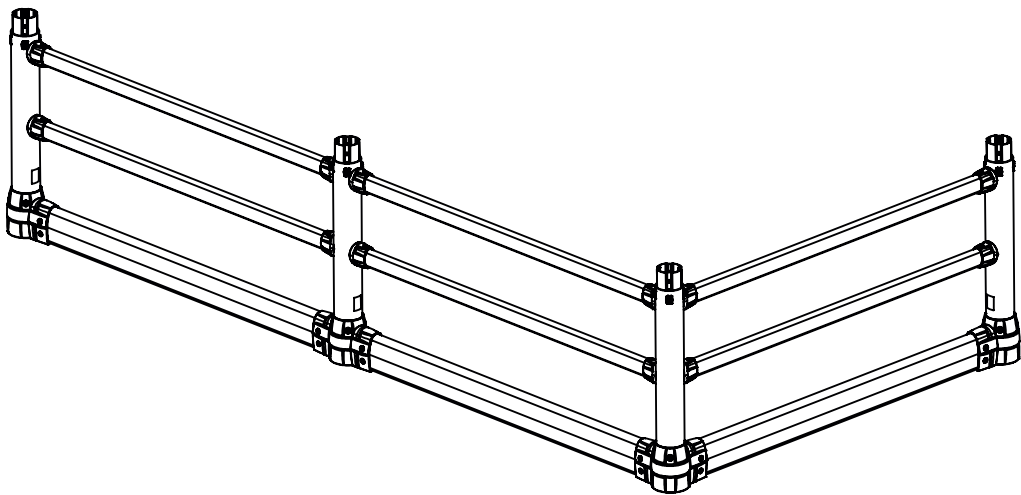
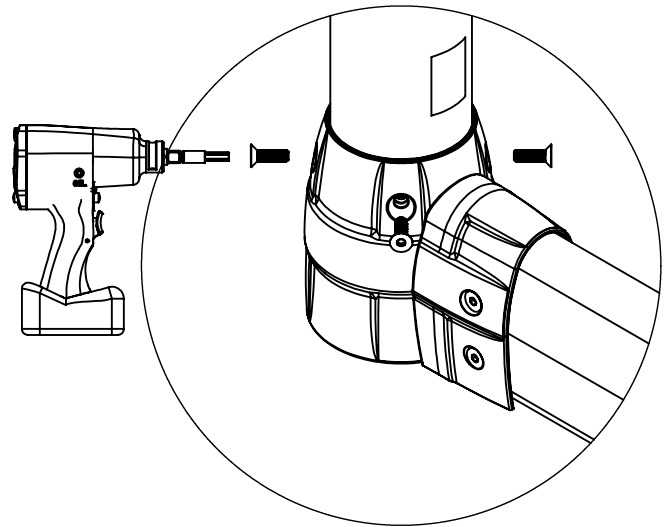
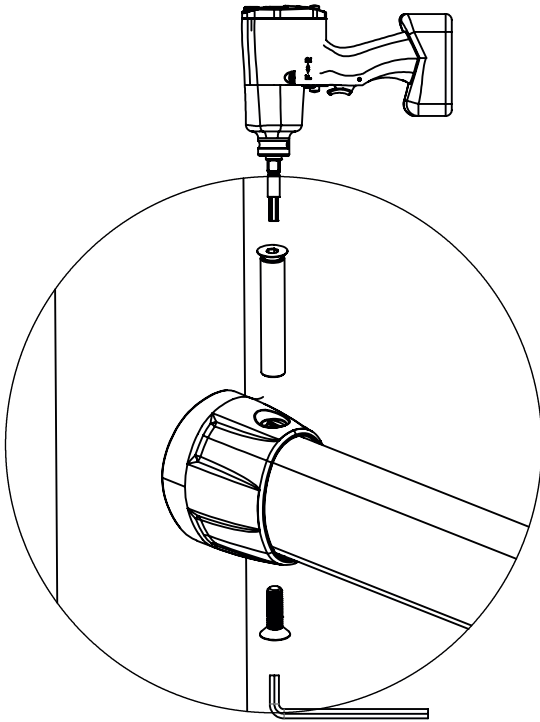
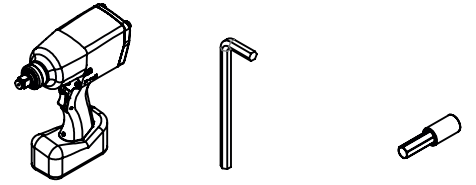


**Repeat for 1 S-Line Post
and 1 High-Line Post per Kit**

Step 12

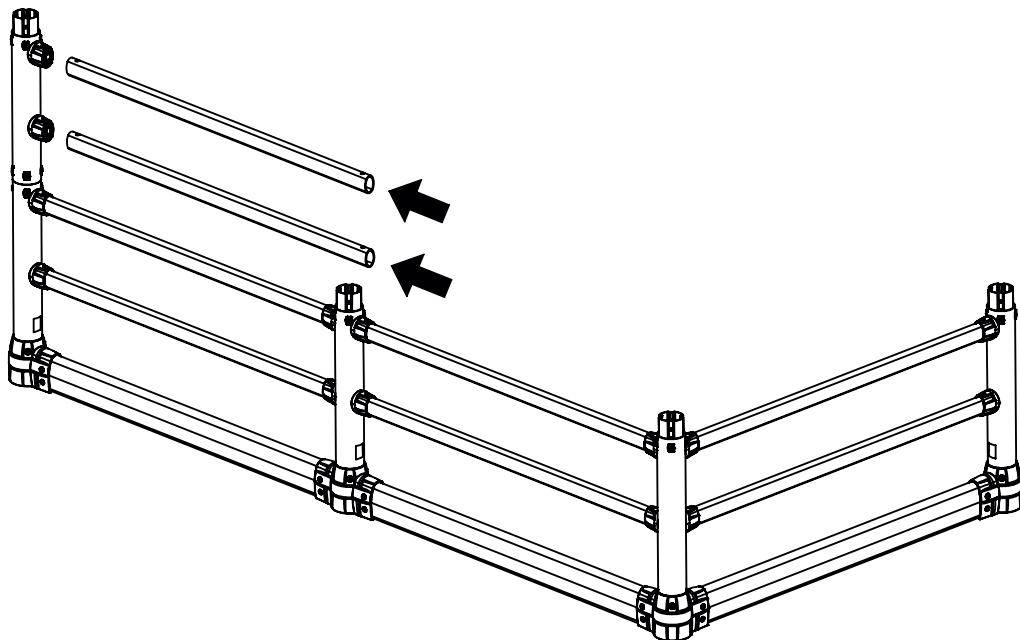
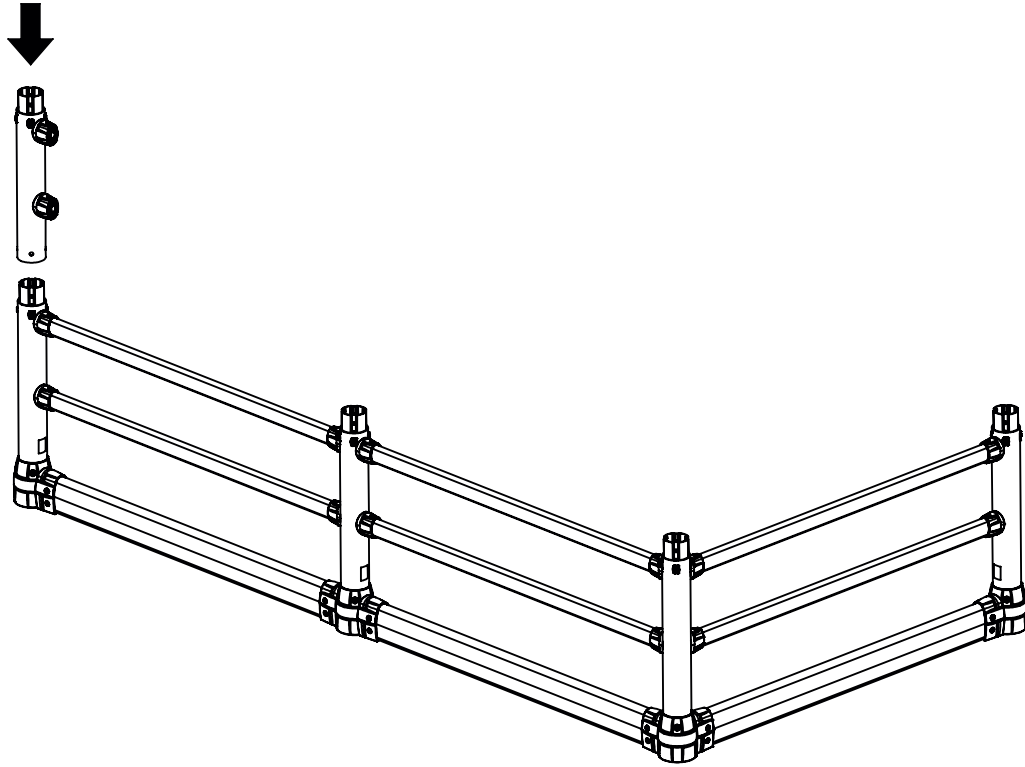
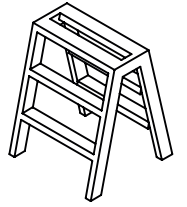


Step 13

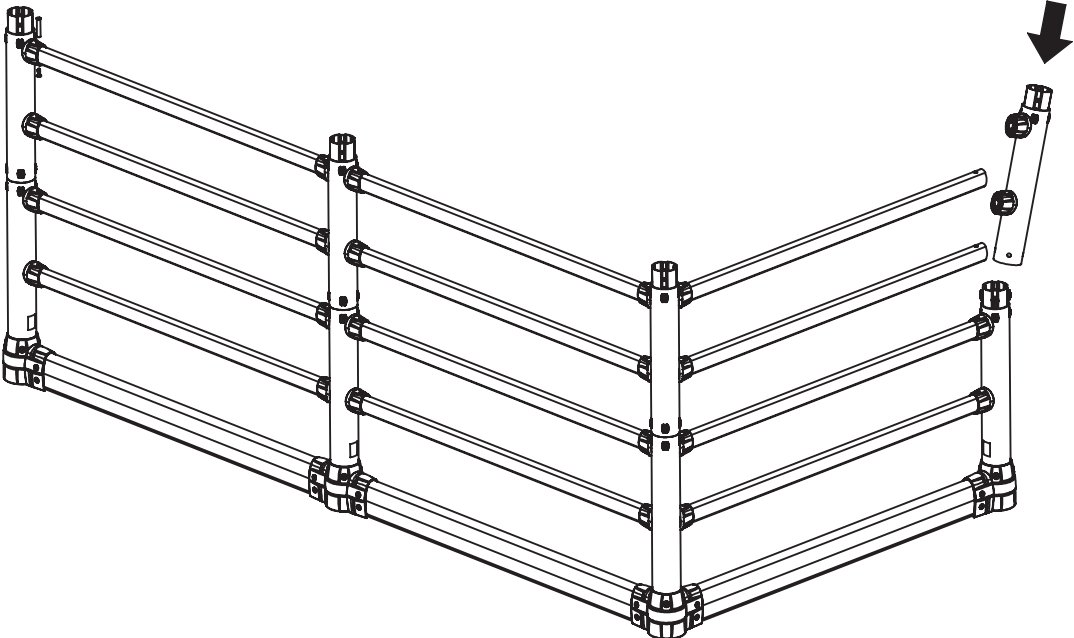
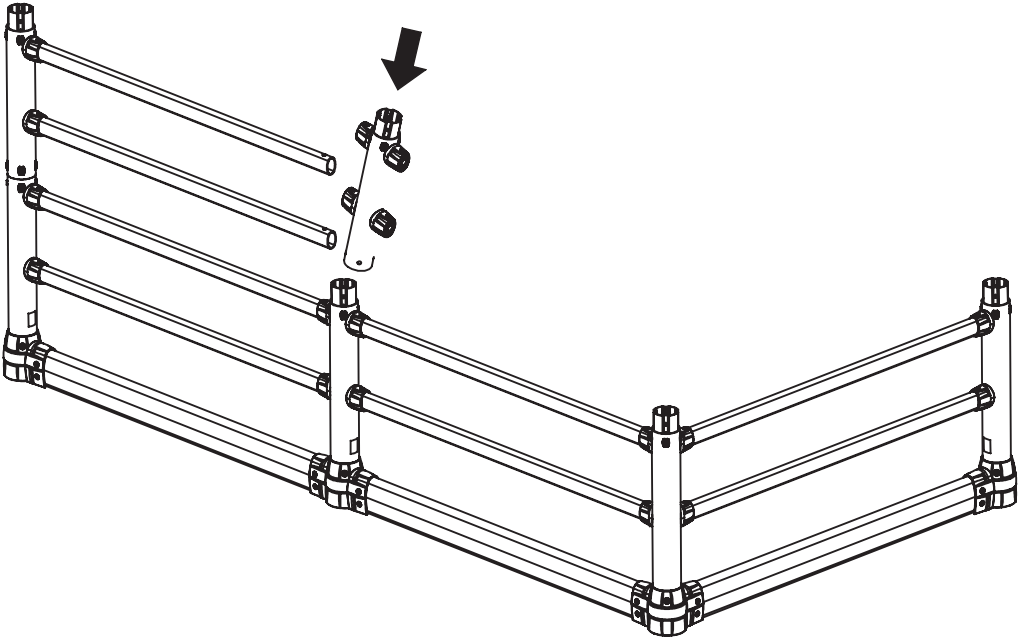


Repeat for all Posts and Rails

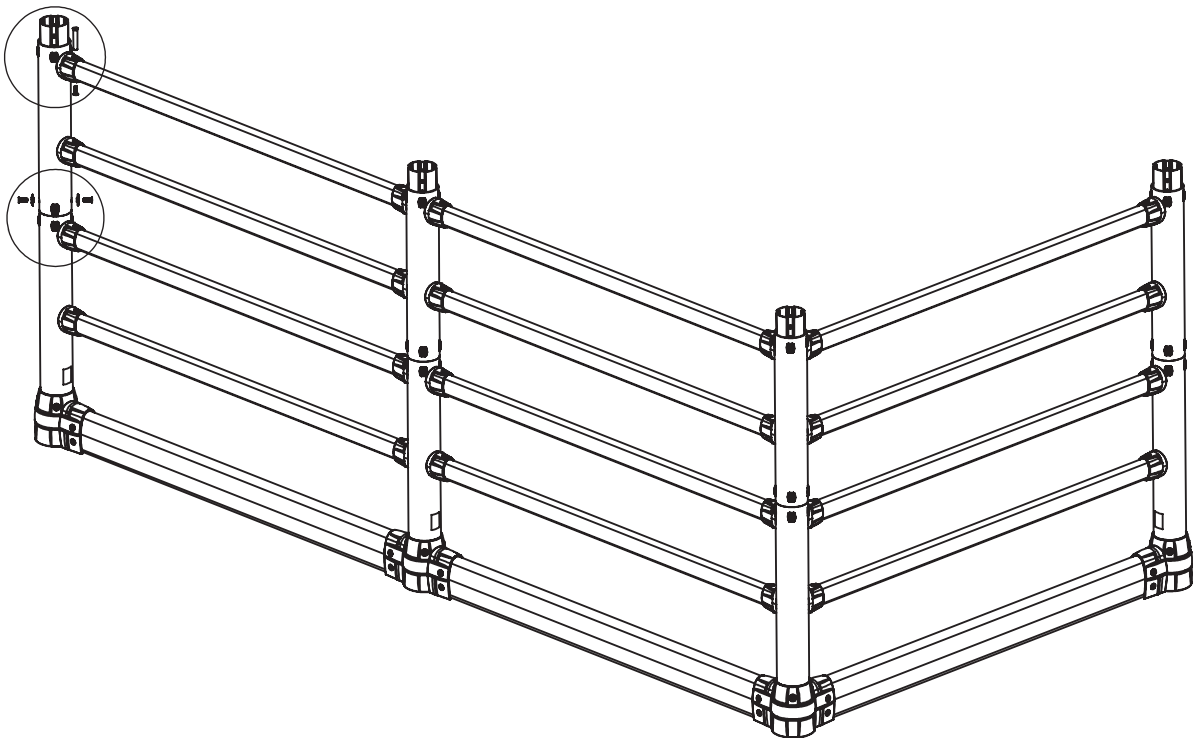
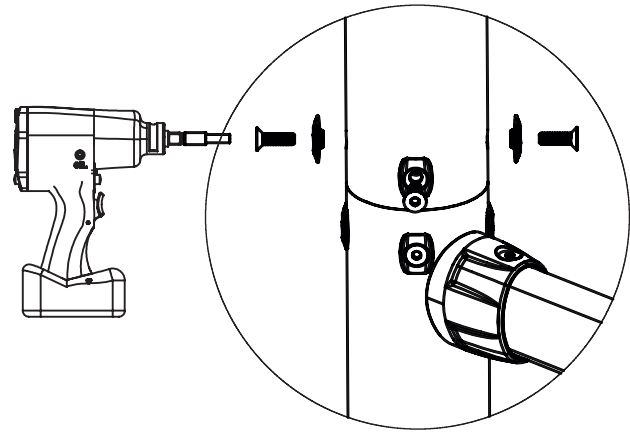
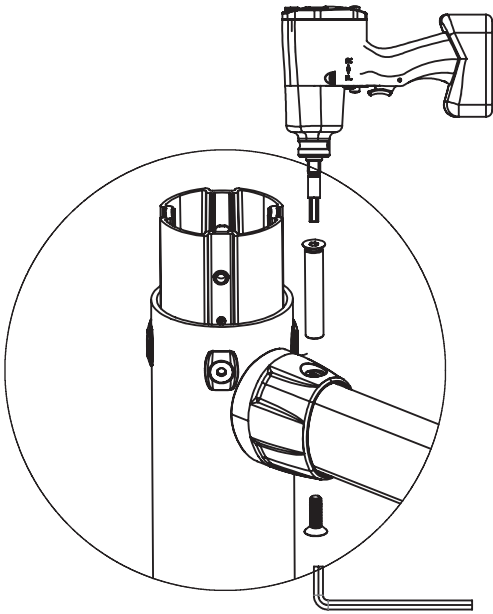
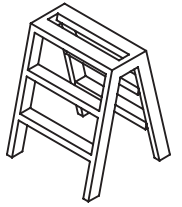
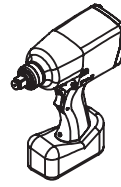
Step 14



Step 14 (cont.)

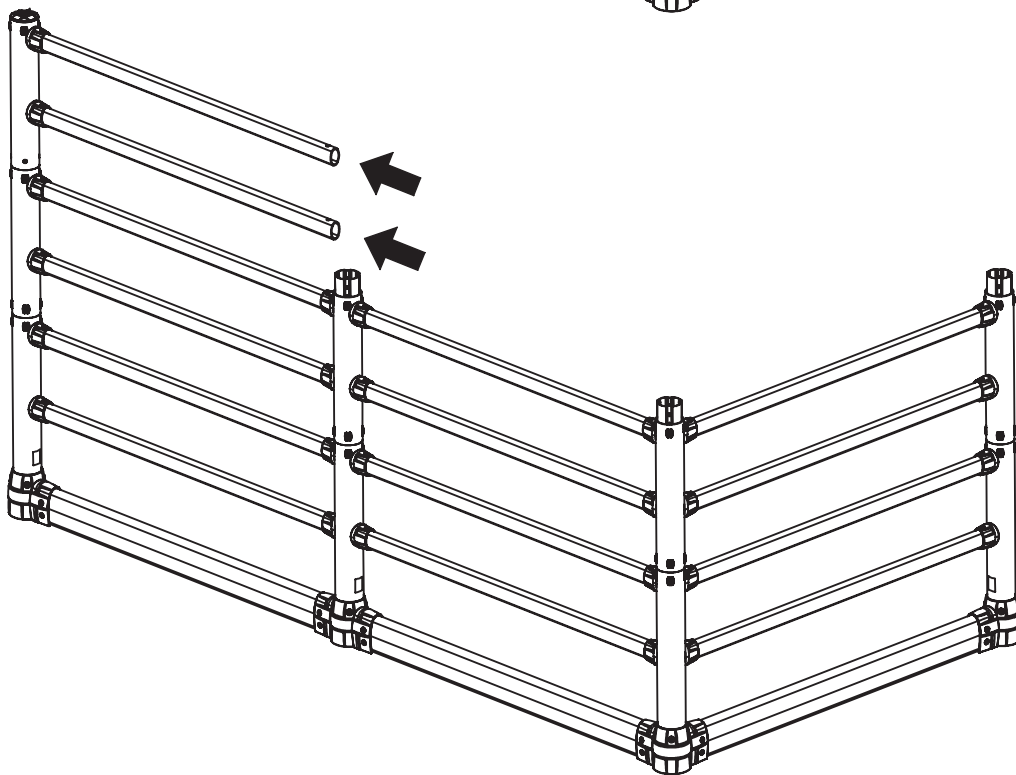
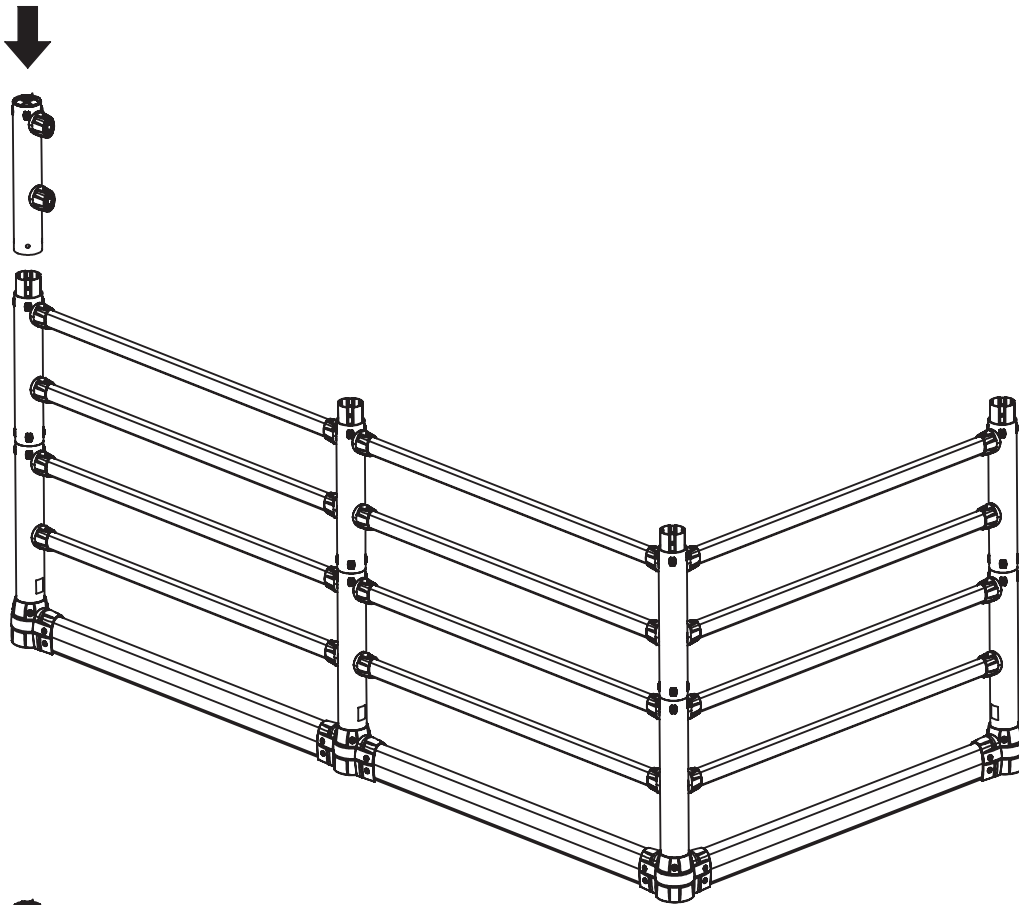
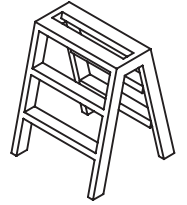


Step 15

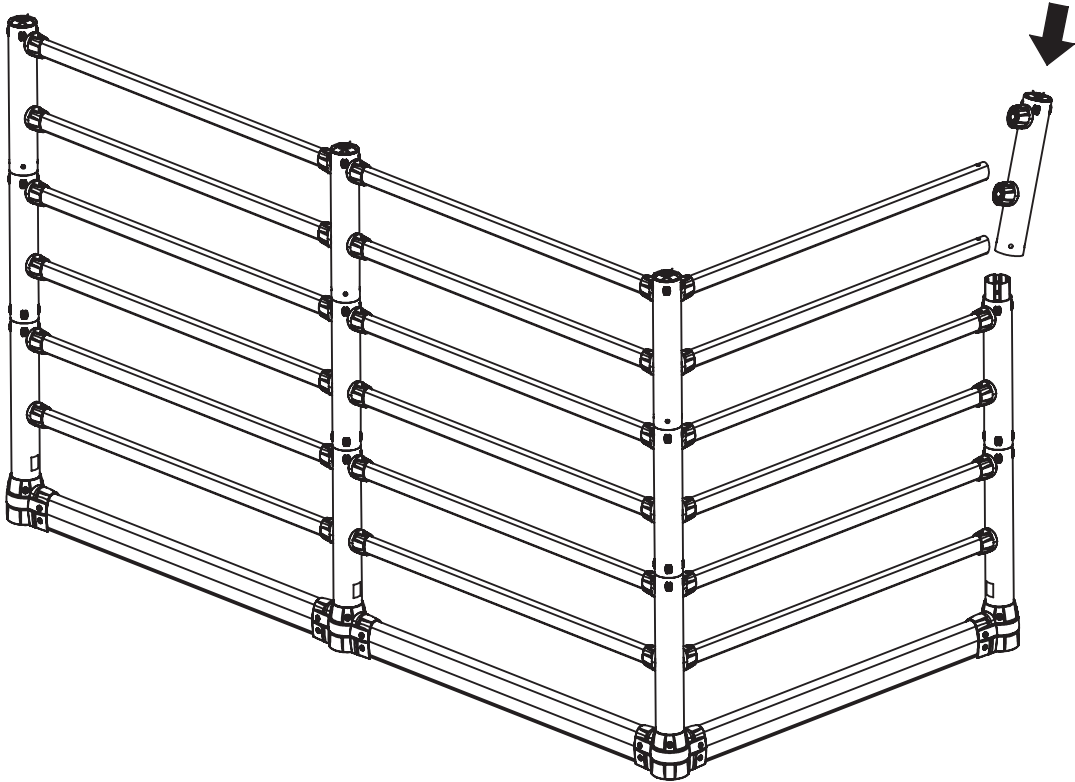
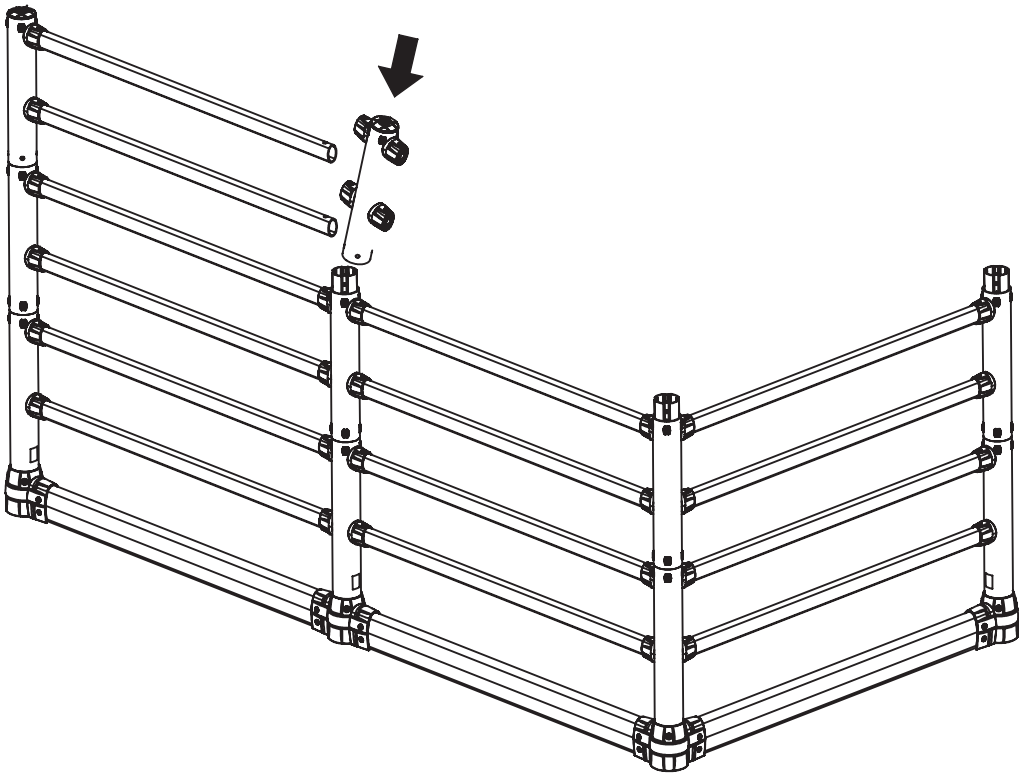


Repeat for all post and rails

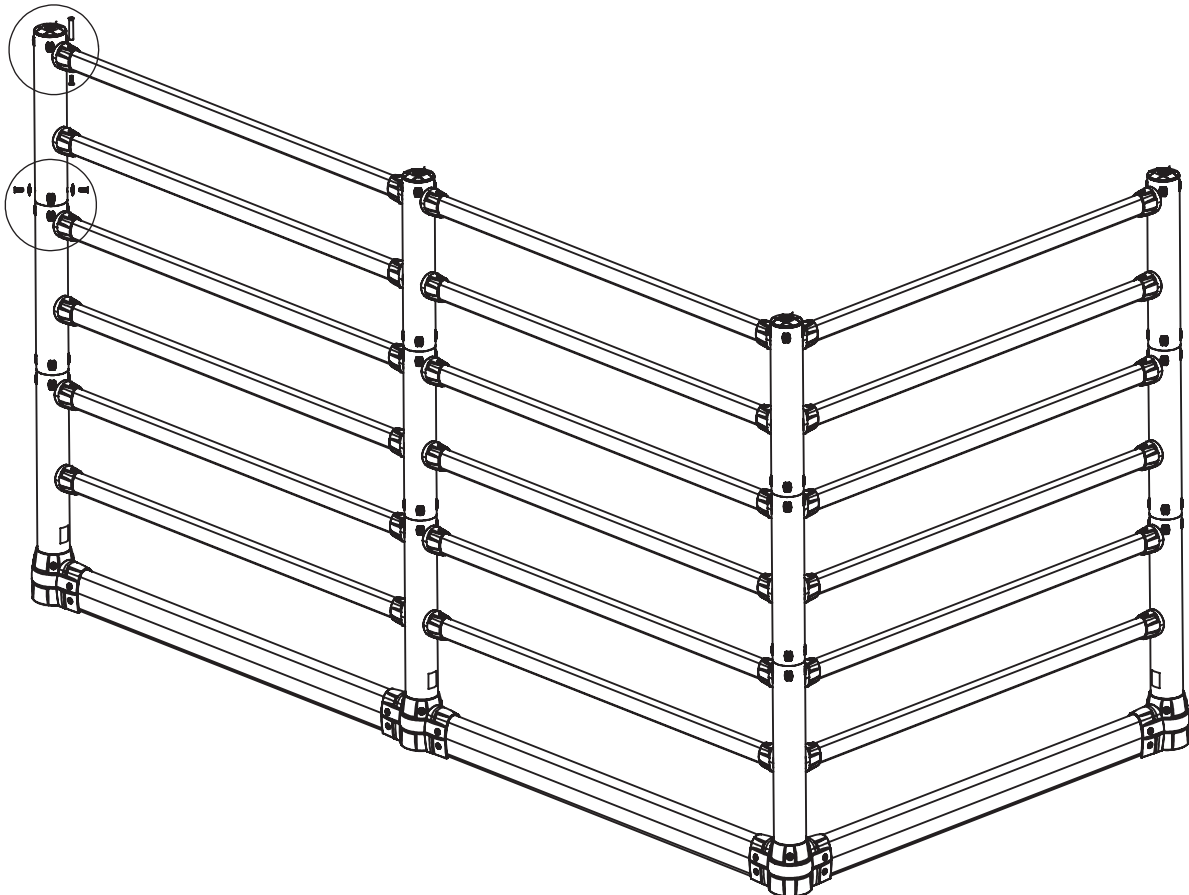
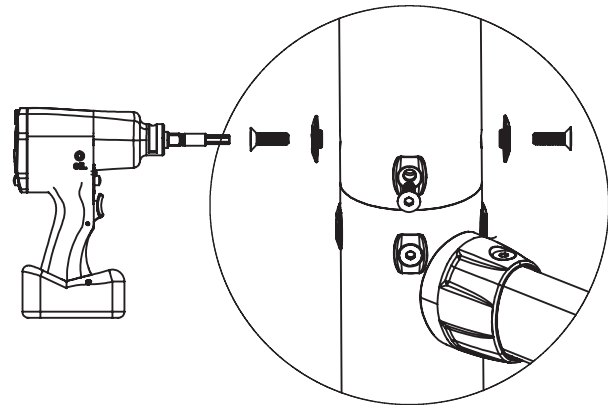
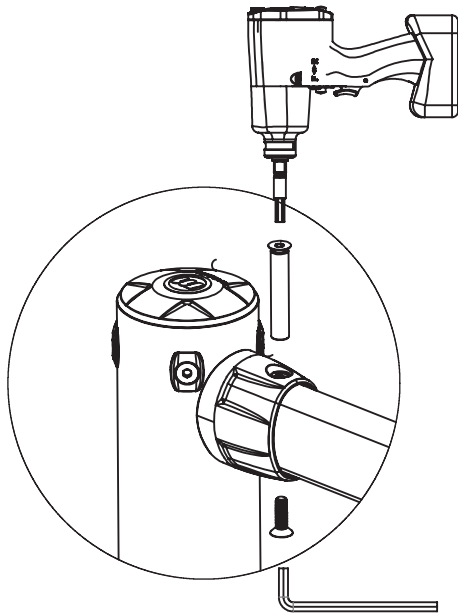
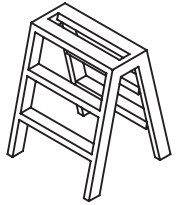
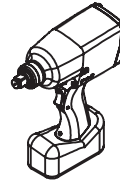
Step 16



Step 16 (cont.)



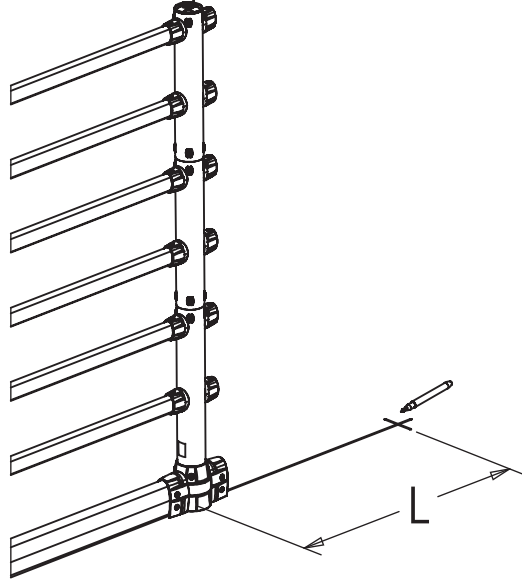
Step 17



Repeat for all post and rails

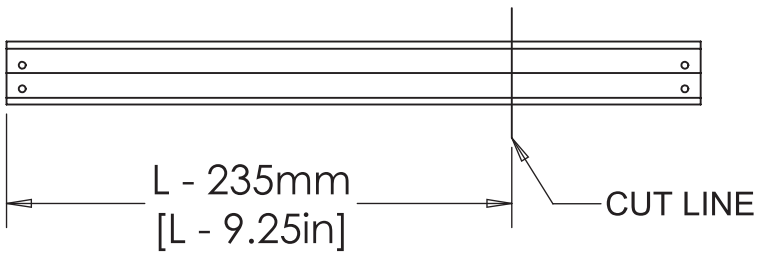
Appendix A: Custom Length Rails

Step A1

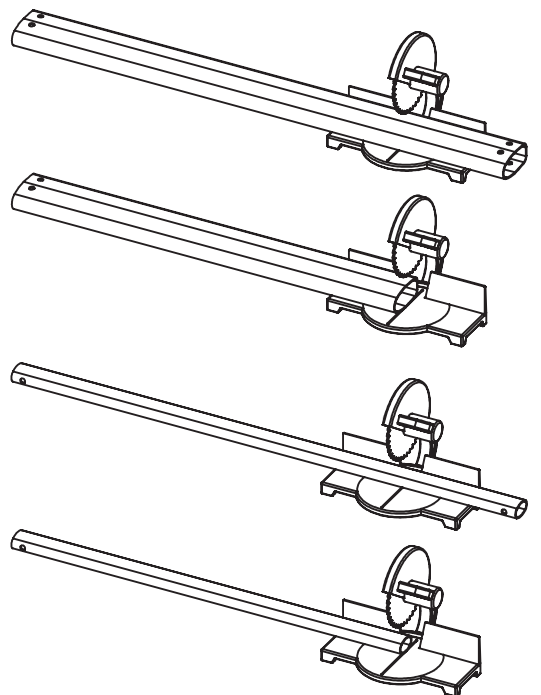
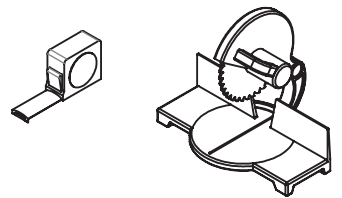
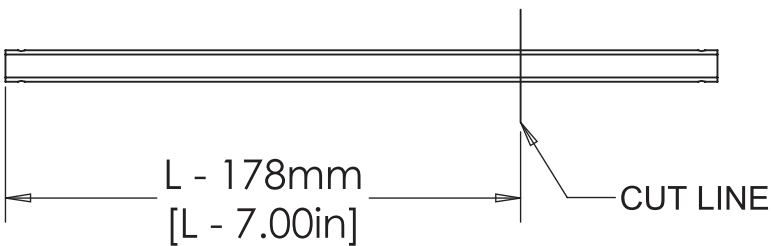


Step A2

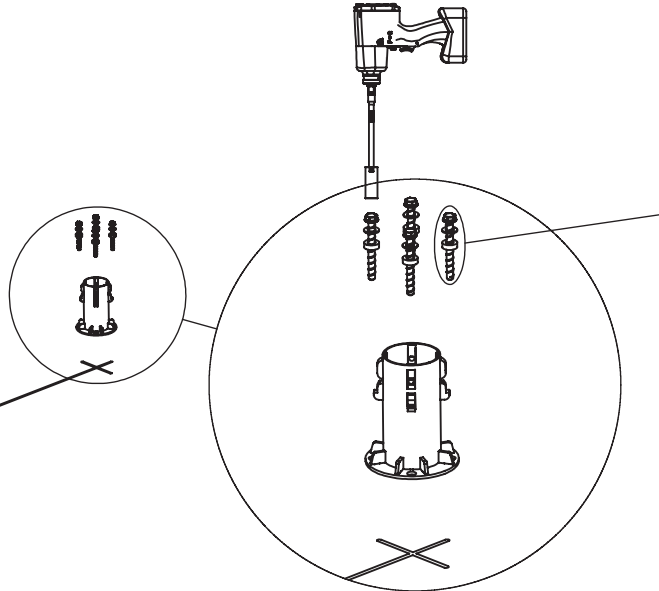
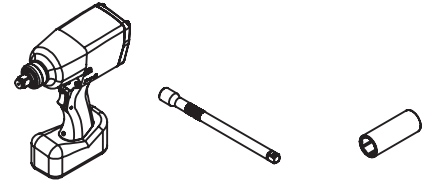
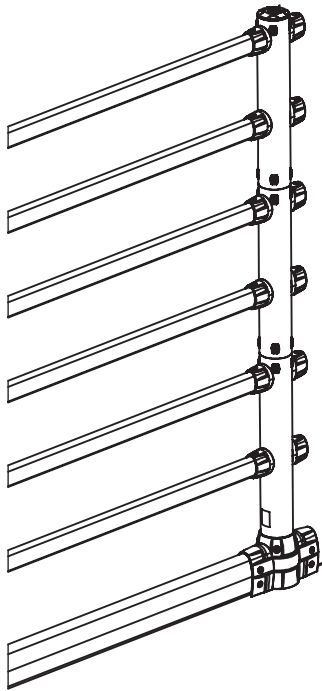
Crossbar Under-run Guard



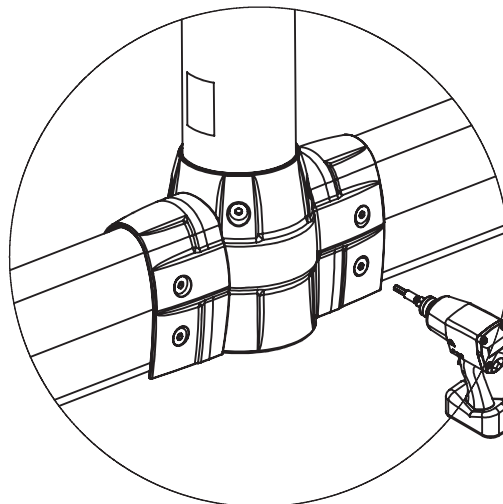
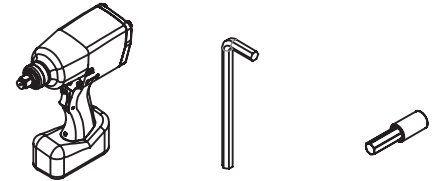
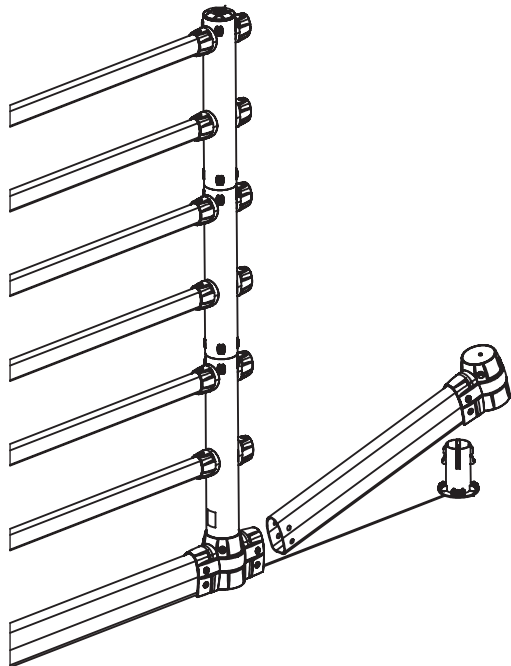
Crossbar High-Line



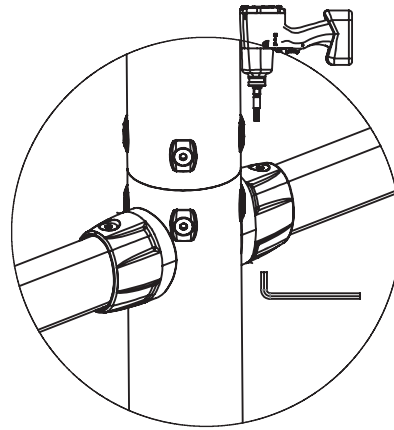
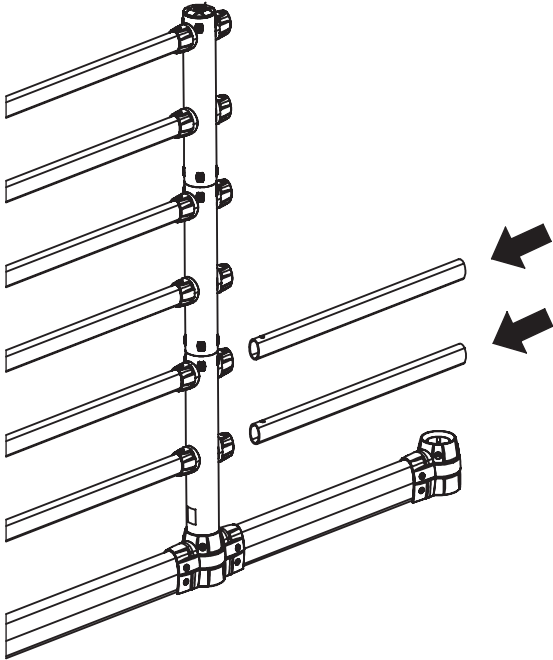
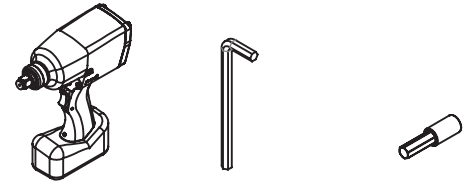
Step A3



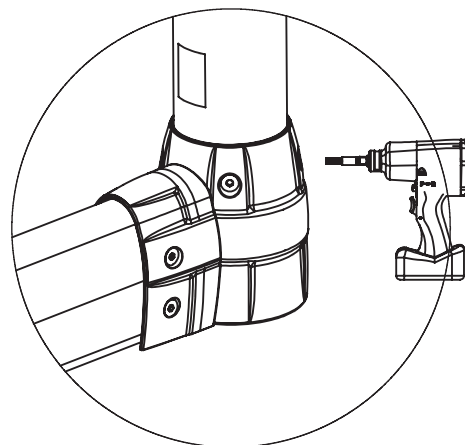
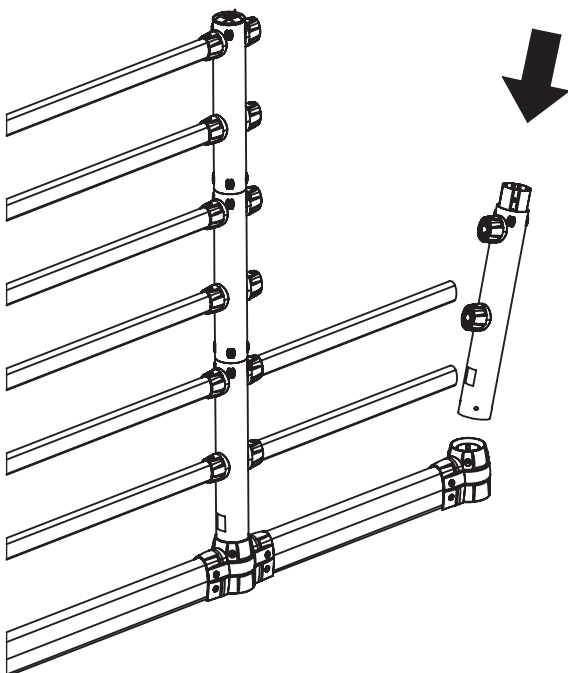
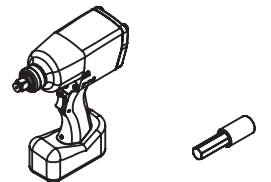
Step A4



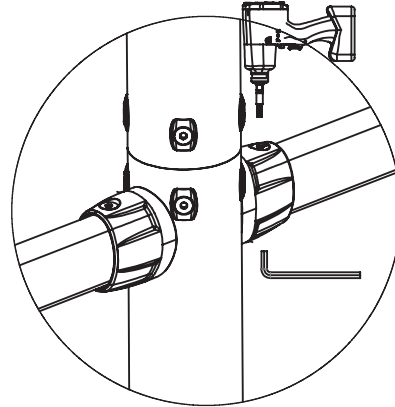
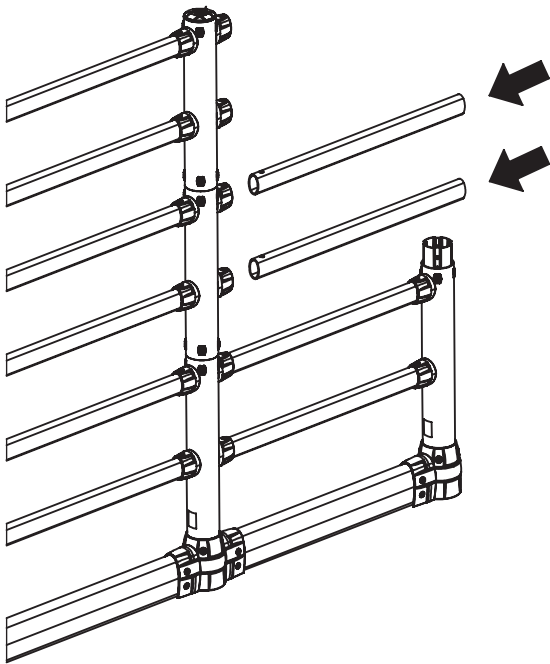
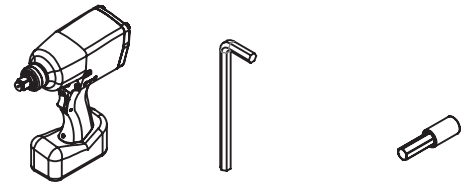
Step A5



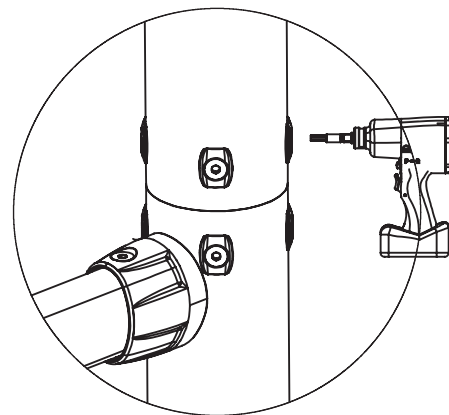
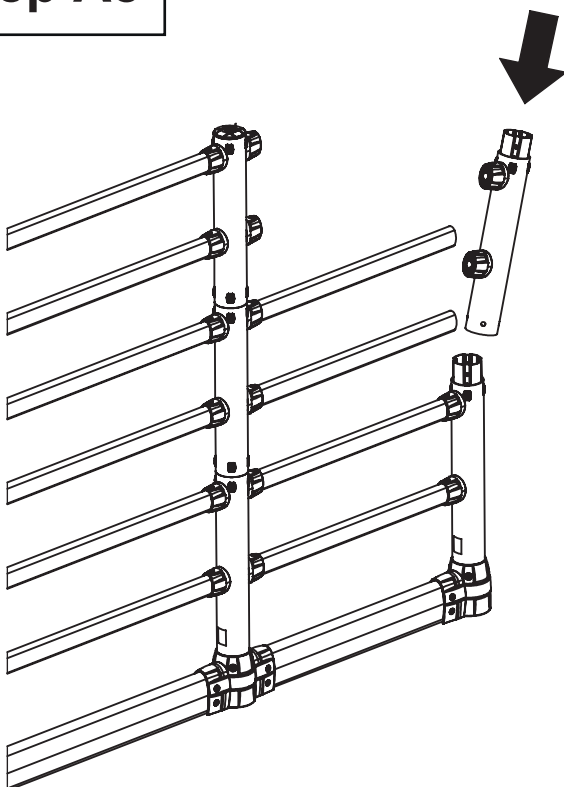
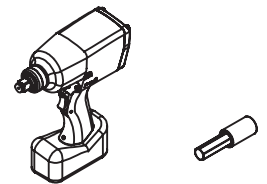
Step A6



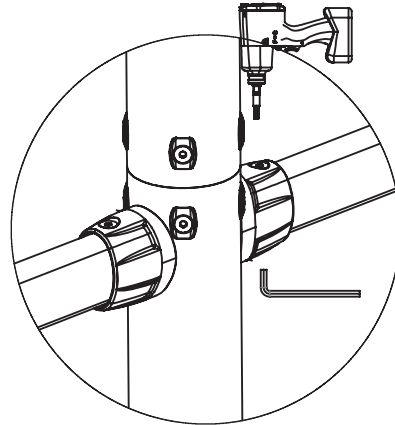
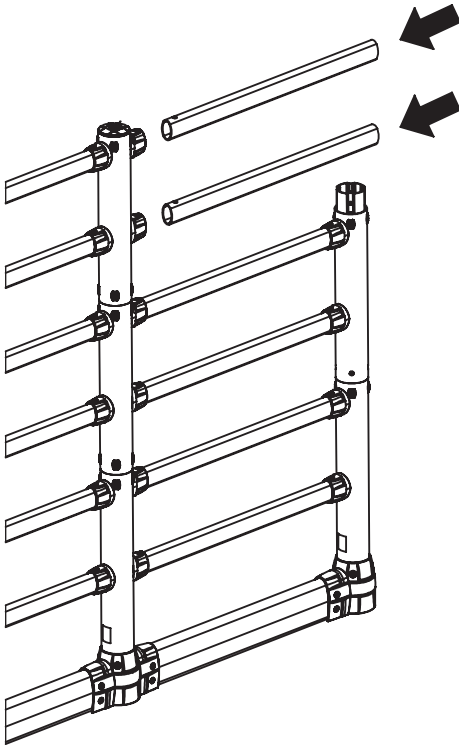
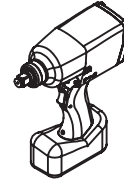
Step A7



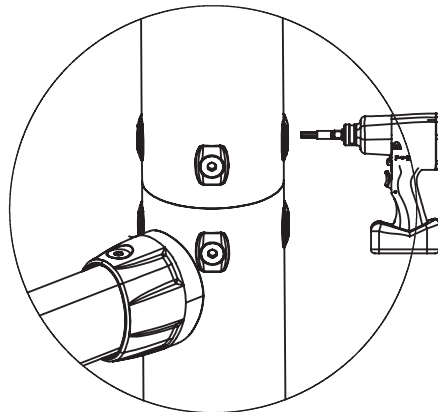
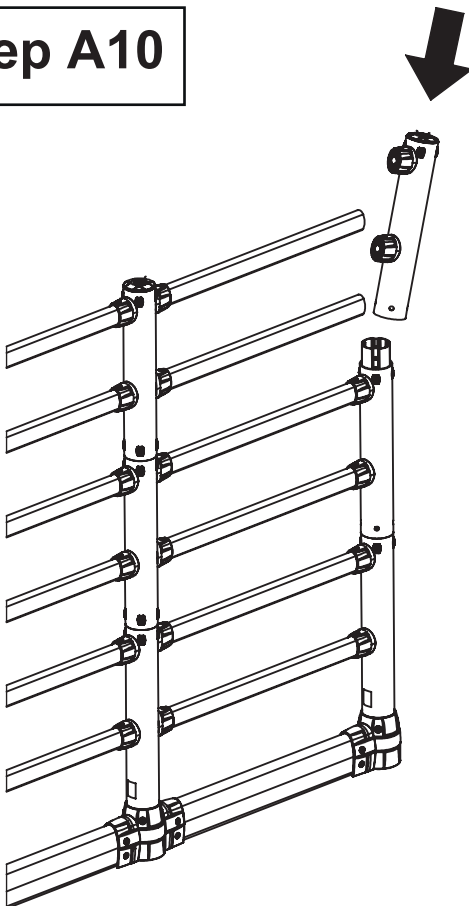
Step A8



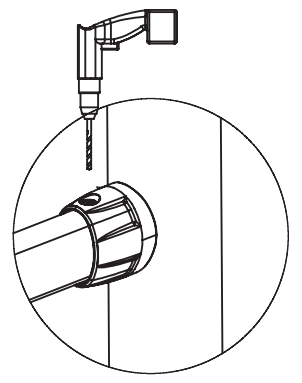
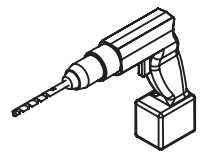
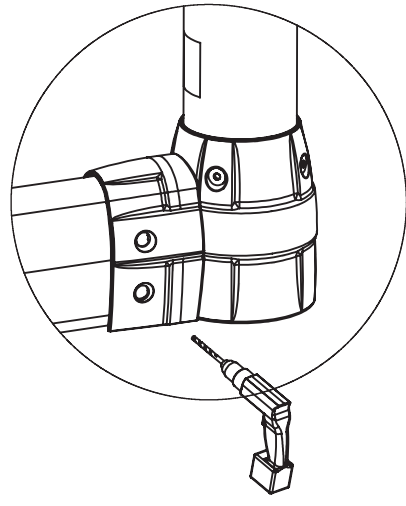
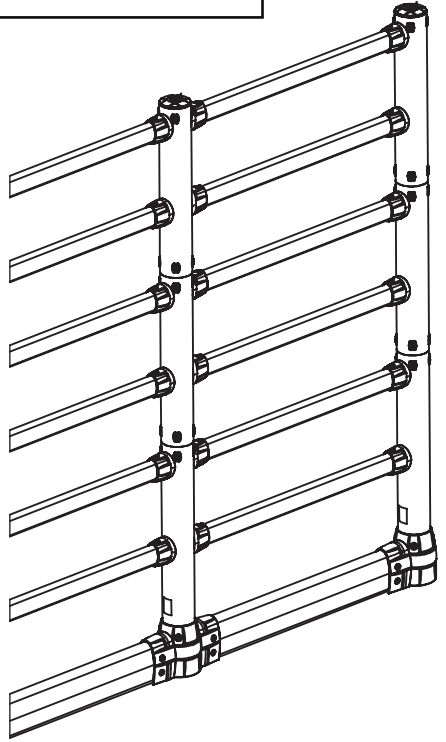
Step A9



Step A10

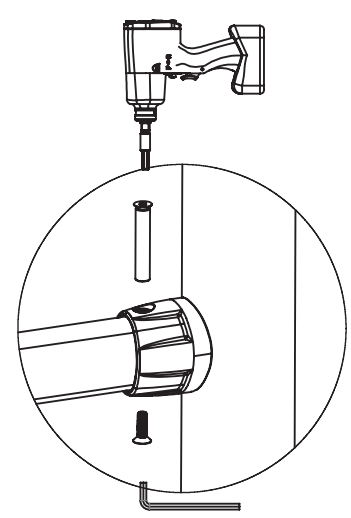
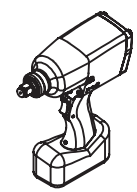
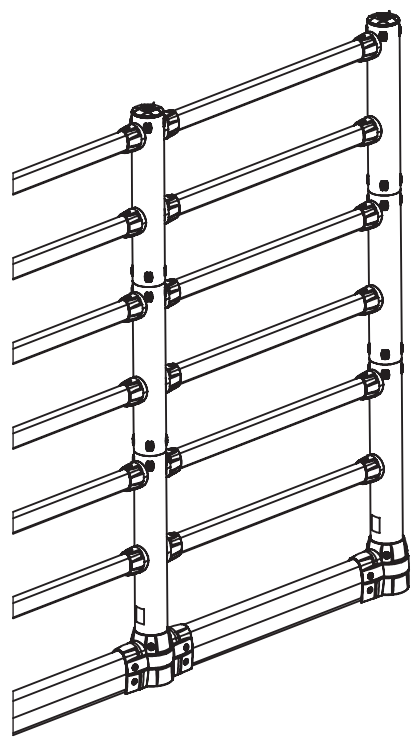


Step A11



Repeat as needed

Step A12



Repeat for all remaining connectors

Installation Complete

