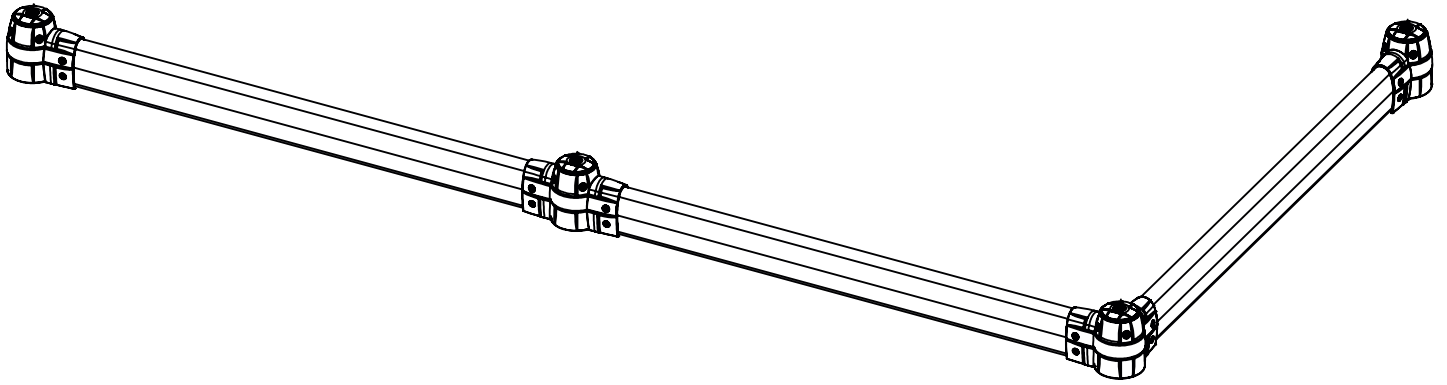
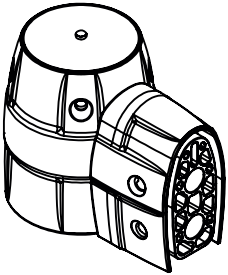


FLEX+ Ground Guard Installation Instructions

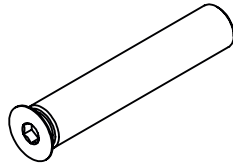


Components

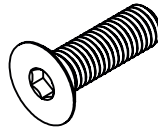
Base start/end incl. fixing materials



QTY: 1



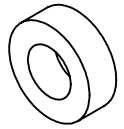
QTY: 2



QTY: 6

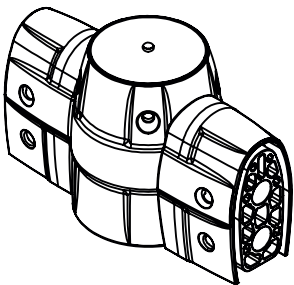


QTY: 4

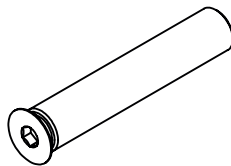


QTY: 4

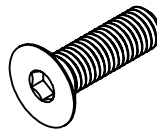
Base centre incl. fixing materials



QTY: 1



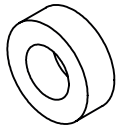
QTY: 4



QTY: 8

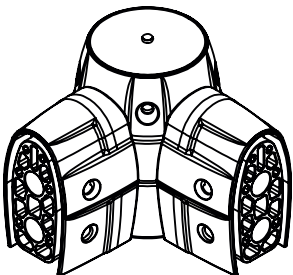


QTY: 4

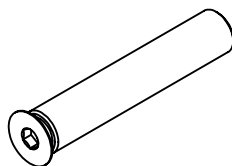


QTY: 4

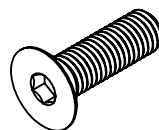
Base corner incl. fixing materials



QTY: 1



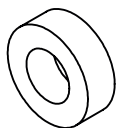
QTY: 4



QTY: 8



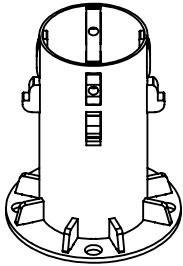
QTY: 4



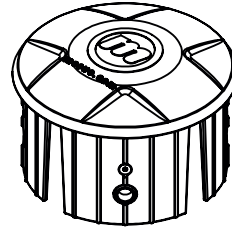
QTY: 4

Components

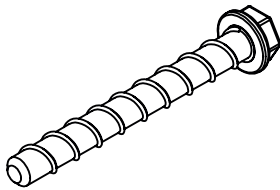
Base floor anchor



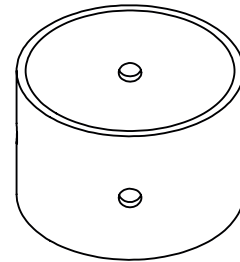
Cover cap incl. fixing materials



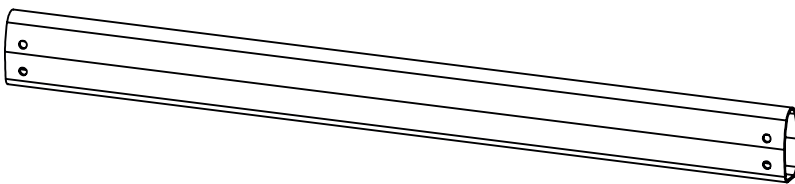
Base floor anchor



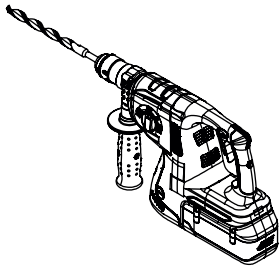
Post section floor barrier



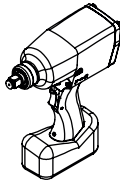
Crossbar floor barrier



Required Tools



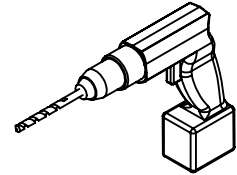
Hammer Drill With
 \varnothing 12mm [1/2in] Masonry Bit



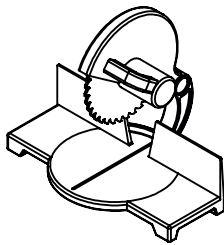
Impact
Driver



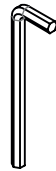
Vacuum



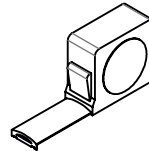
Drill with
 \varnothing 20mm [3/4in] Bit



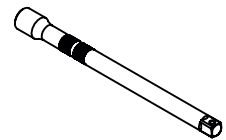
Mitre Saw



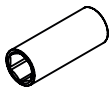
Hex Key
8mm [5/16in]



Measuring Tape



Socket Extender



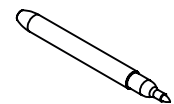
Hex Socket
17mm [3/4in]



Hex Bit
8mm [5/16in]



Chalk Line

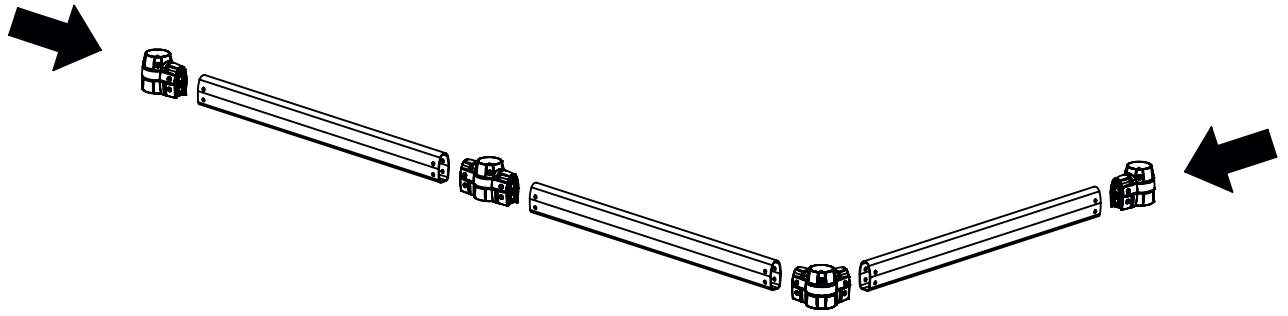


Marker

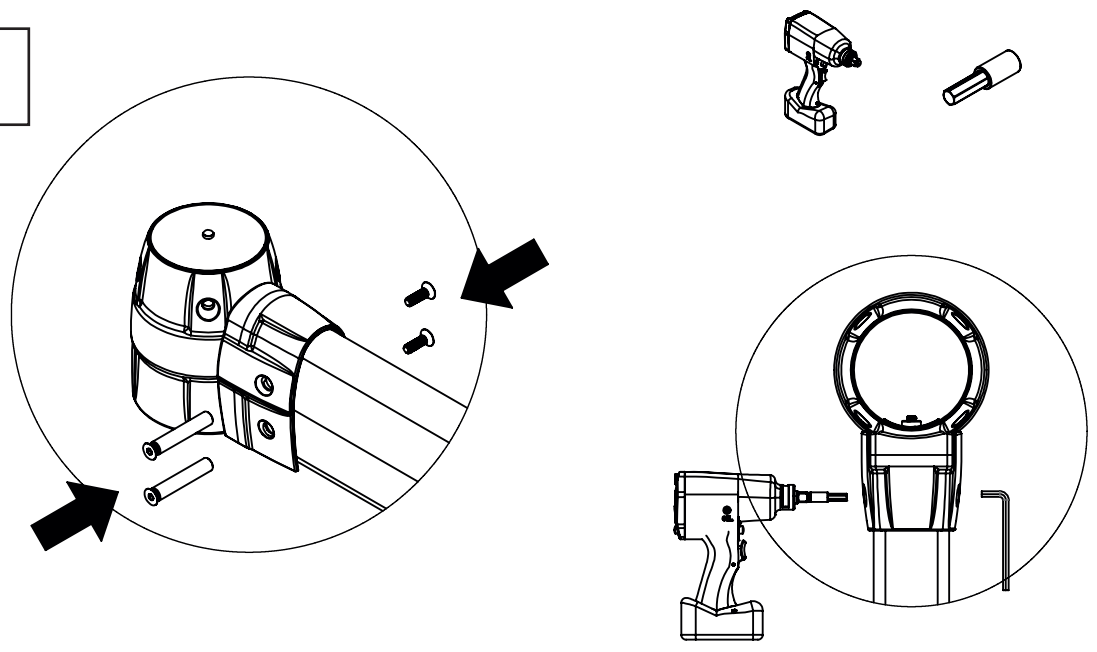


PPE recommended: High Visibility Vest, Steel Toe Boots, Work Gloves, Ear Protection, Dust Mask, Eye Protection.

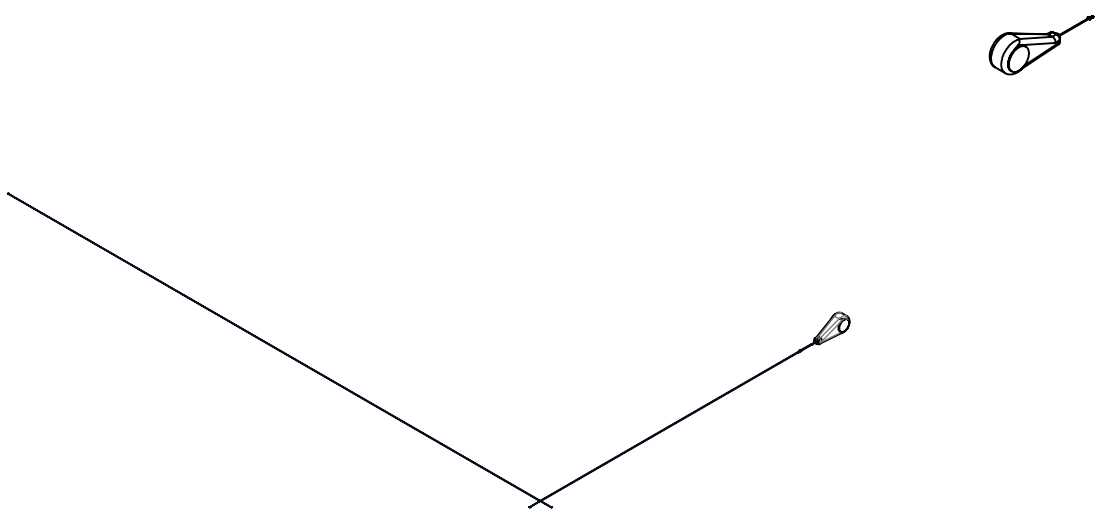
Step 1



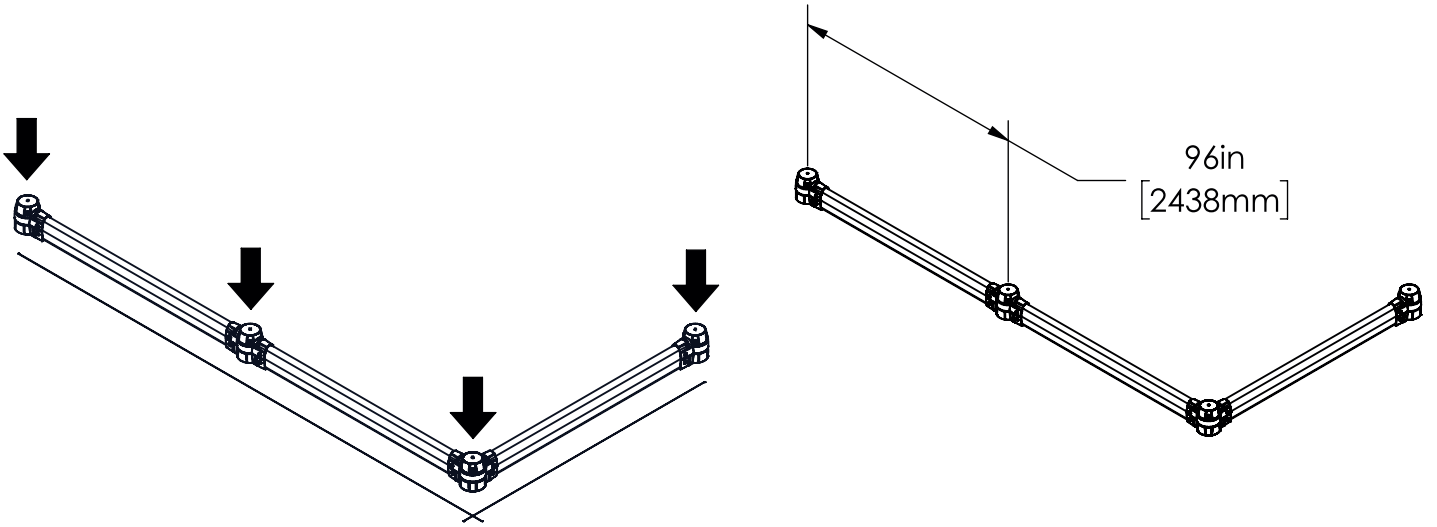
Step 2



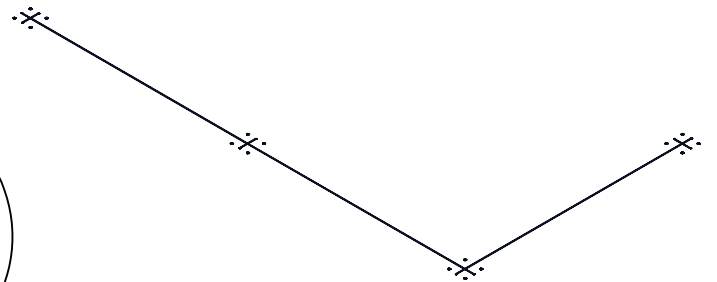
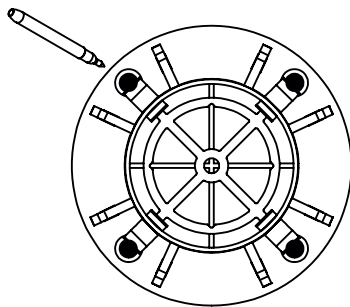
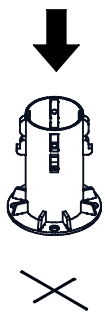
Step 3



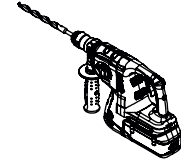
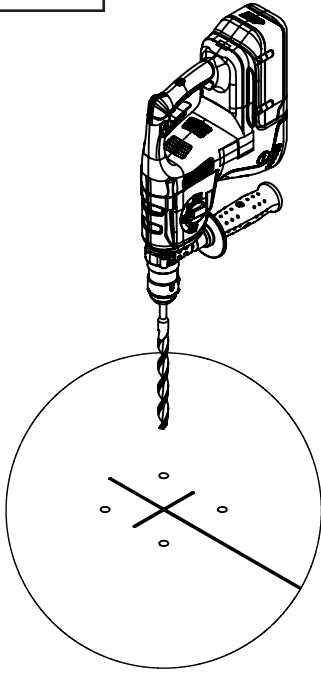
Step 4



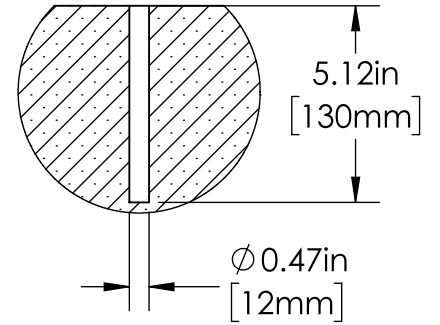
Step 5



Step 6

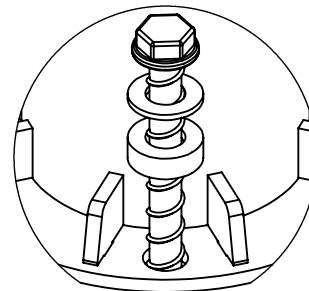
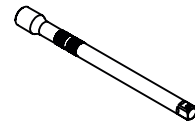
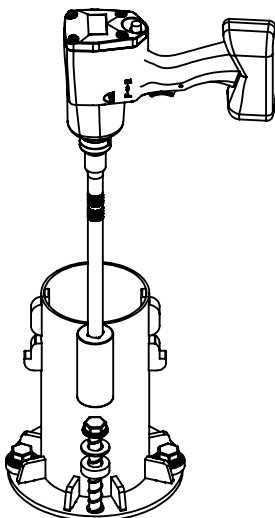


Anchor detail



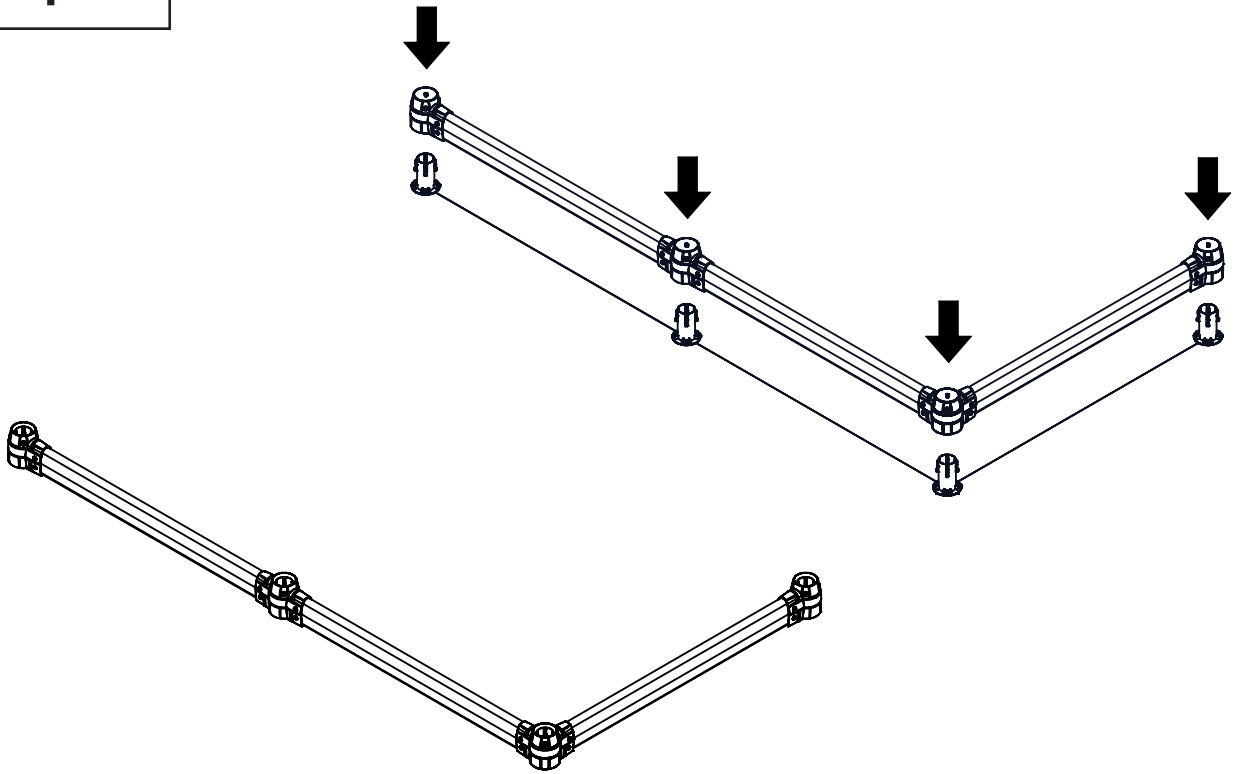
- PPE recommended: High Visibility Vest, Steel Toe Boots, Work Gloves, Ear Protection, Dust Mask, Eye Protection.
- Clean concrete dust by running the vacuum during drilling.

Step 7

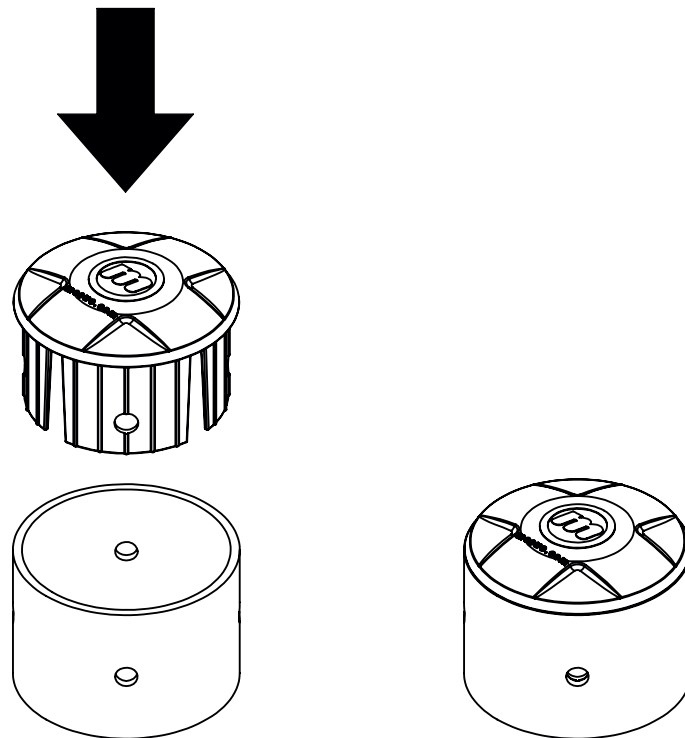


Anchor detail

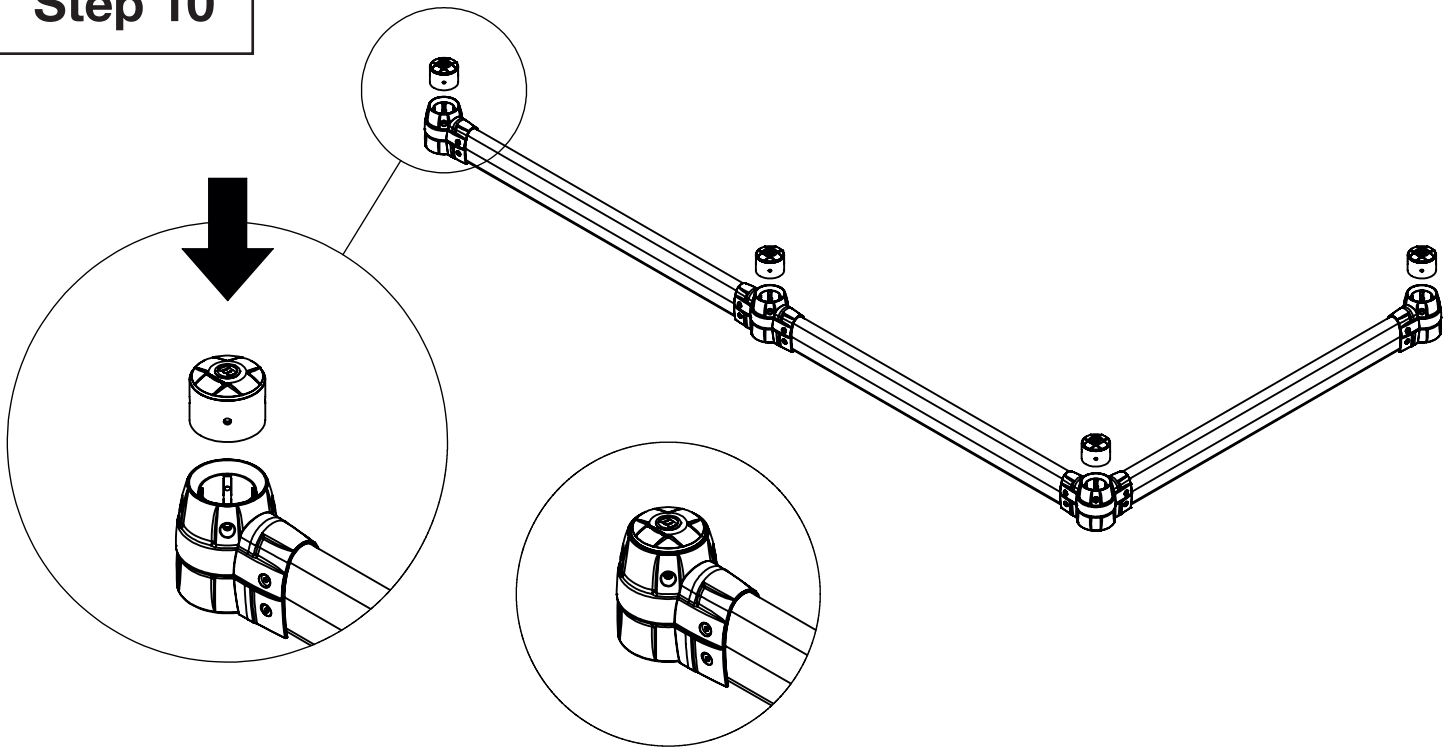
Step 8



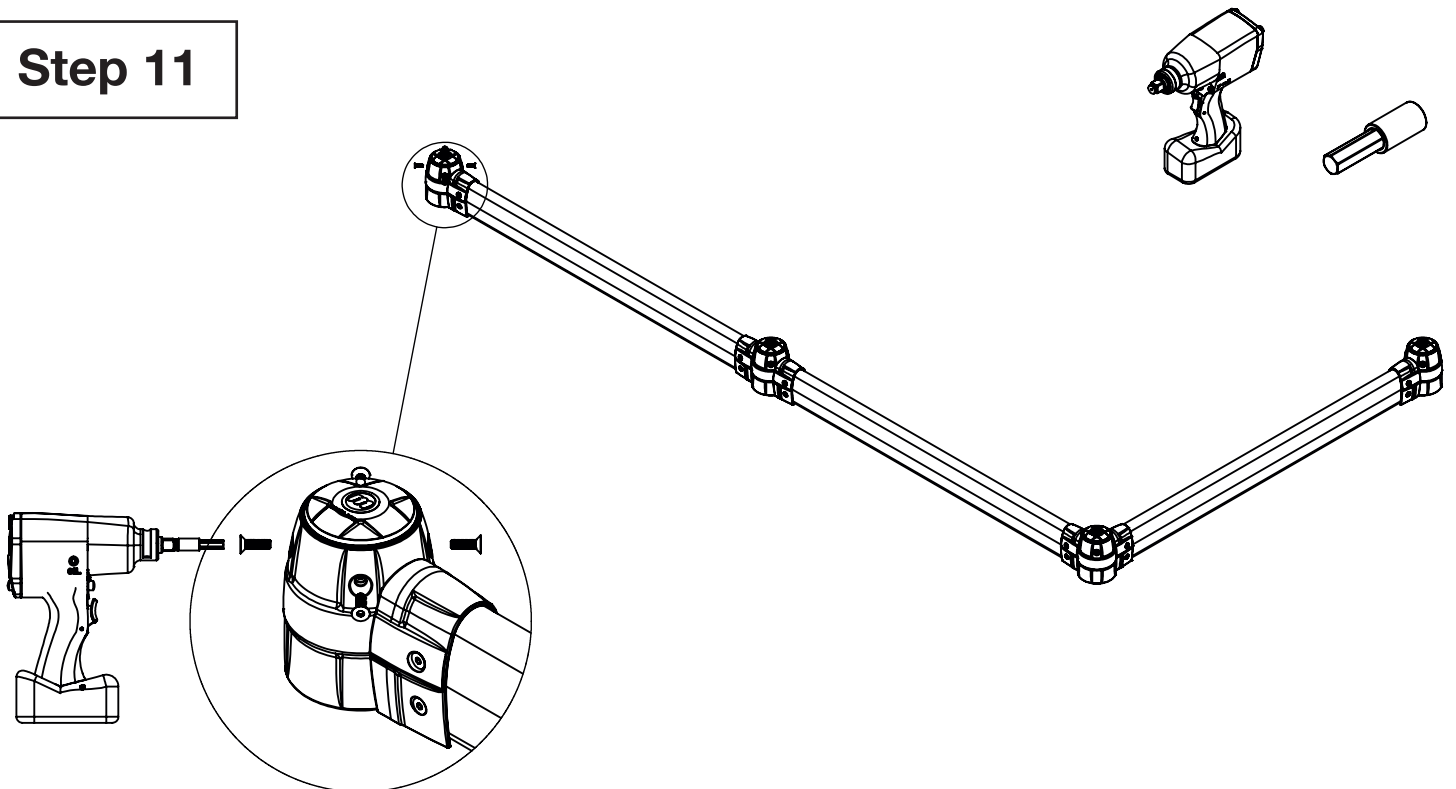
Step 9



Step 10



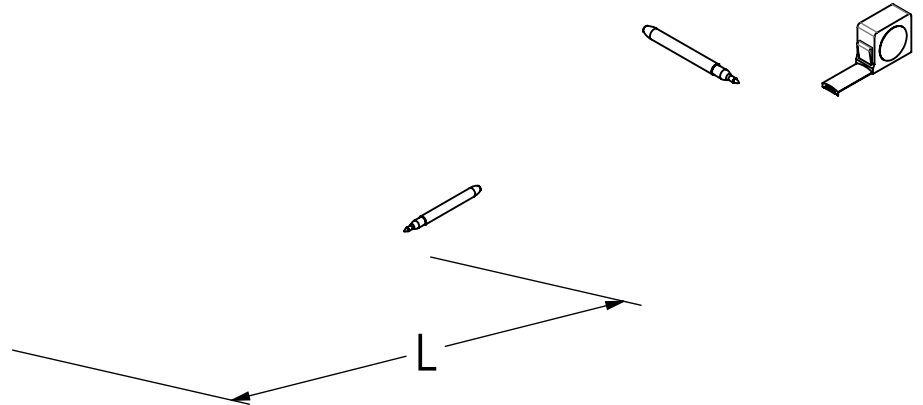
Step 11



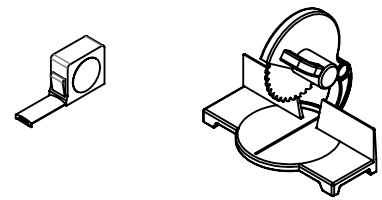
REPEAT FOR ALL POSTS

Appendix A: Custom Length Rails

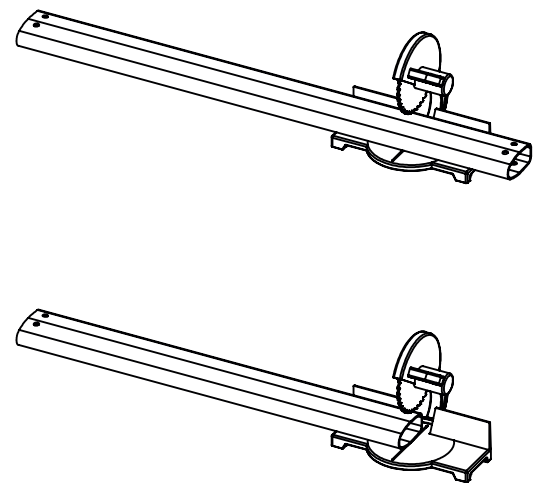
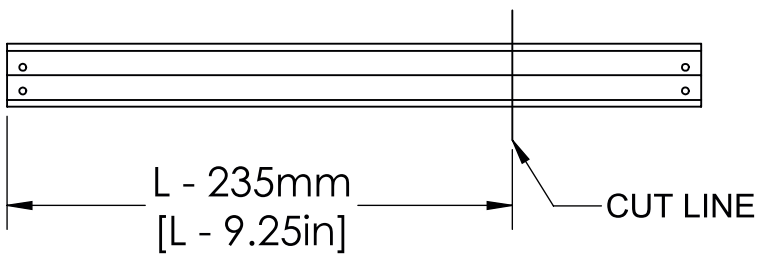
Step A1



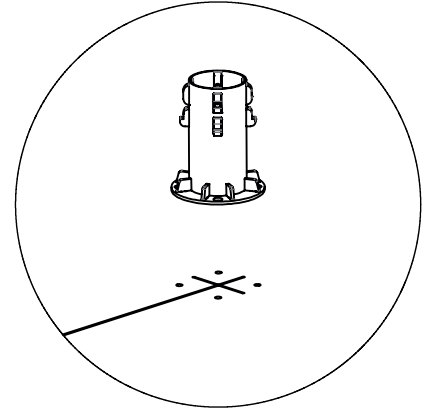
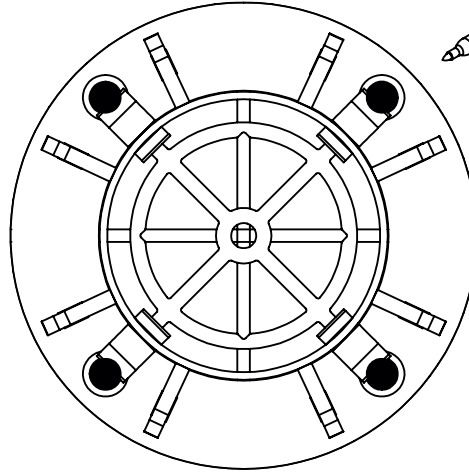
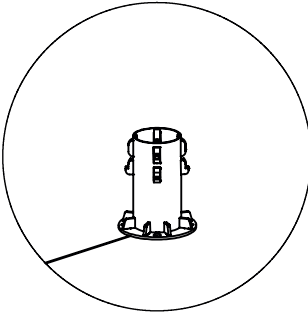
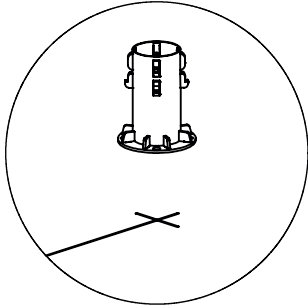
Step A2



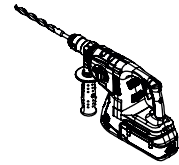
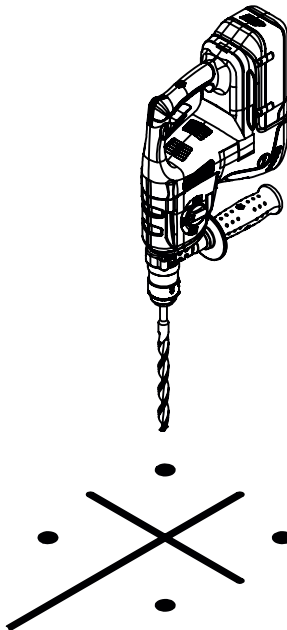
Crossbar floor barrier



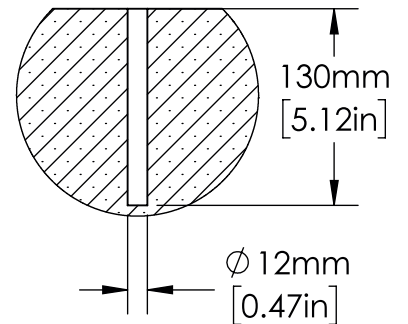
Step A3



Step A4

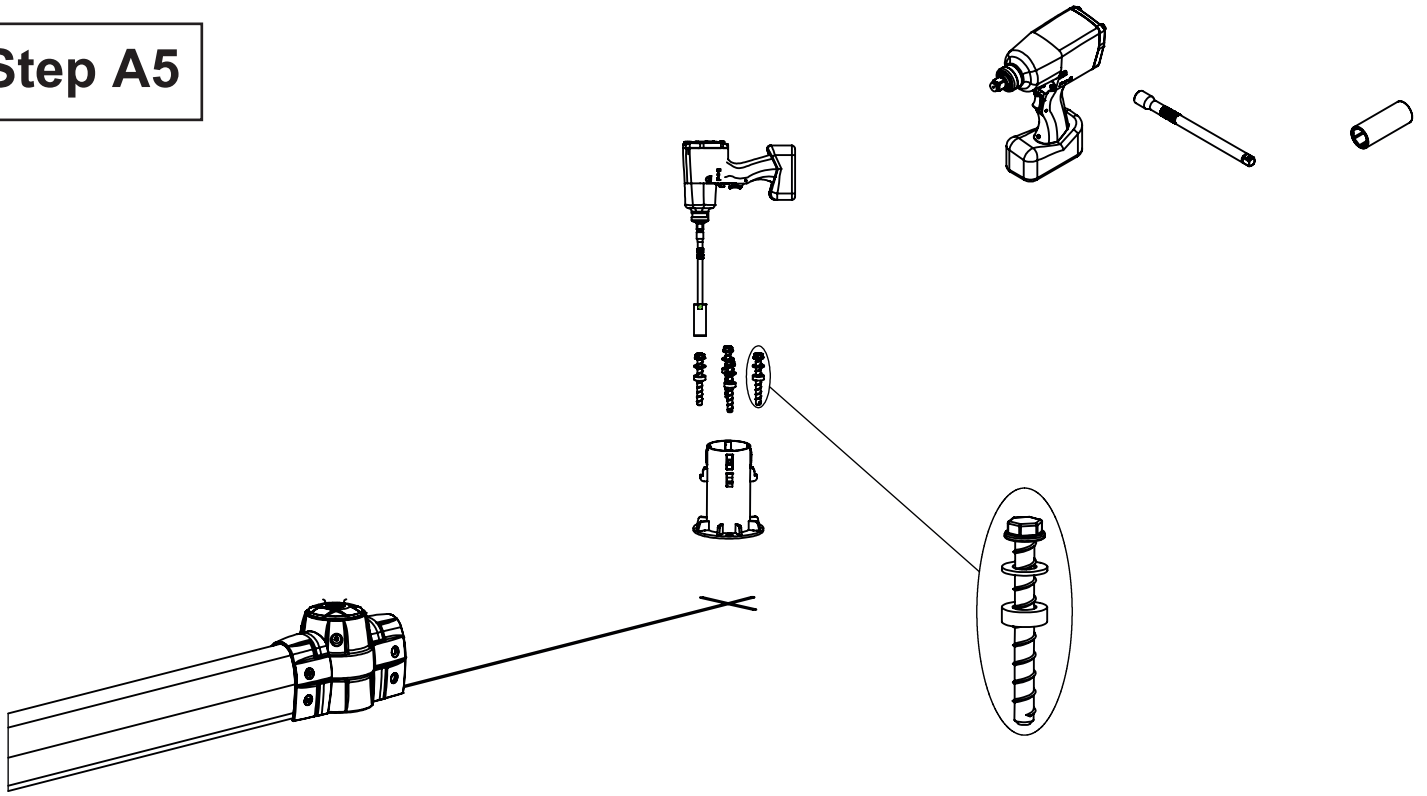


Anchor detail

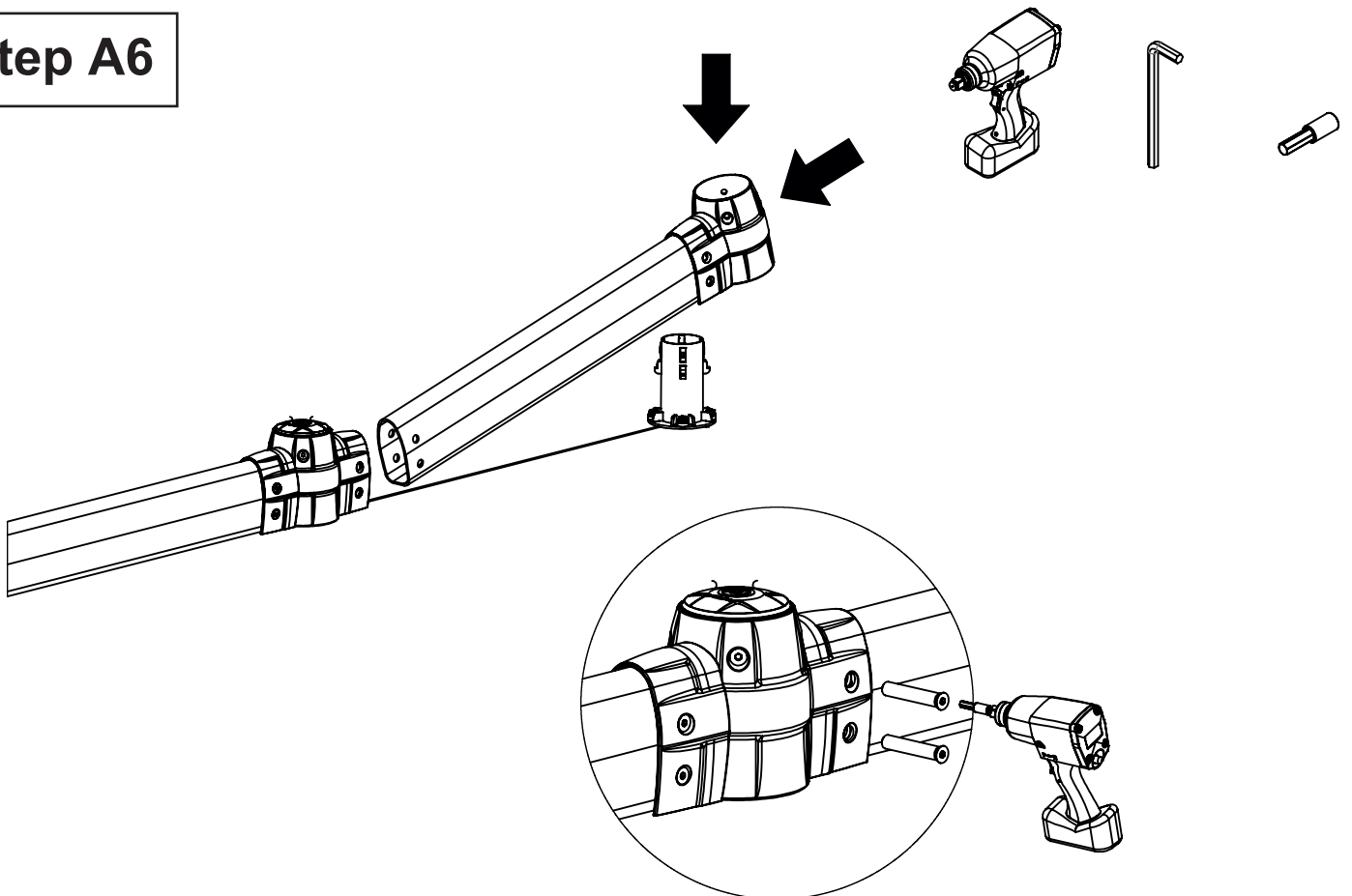


- PPE recommended: High Visibility Vest, Steel Toe Boots, Work Gloves, Ear Protection, Dust Mask, Eye Protection.
- Clean concrete dust by running the vacuum during drilling.

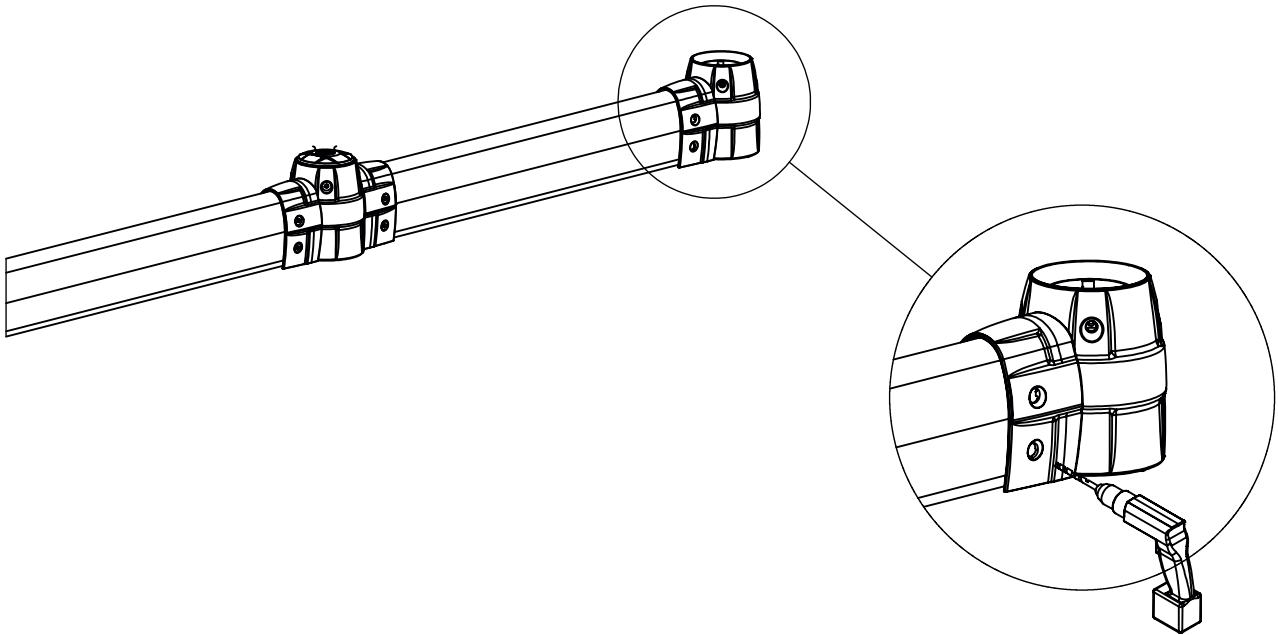
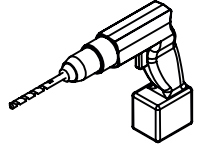
Step A5



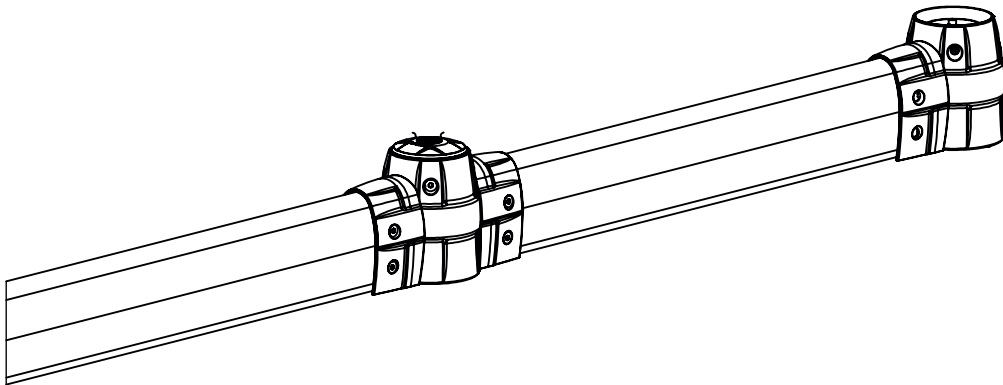
Step A6



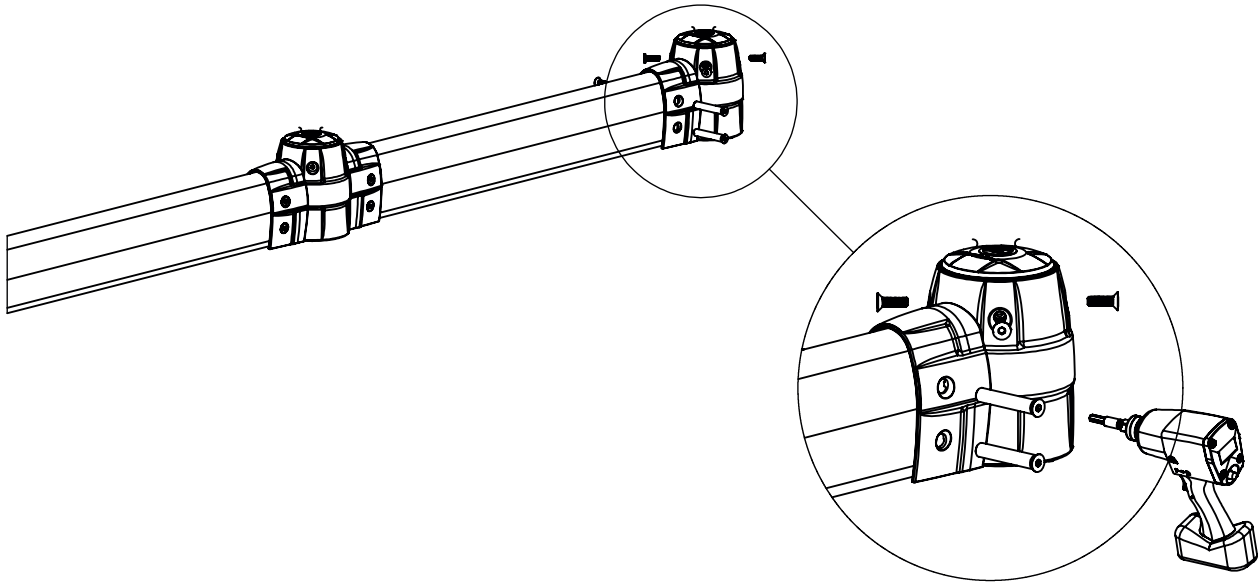
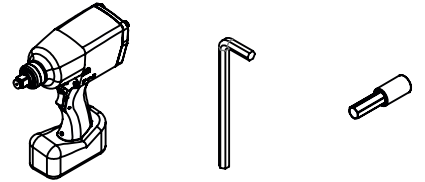
Step A7



Step A8



Step A7



Installation Complete

